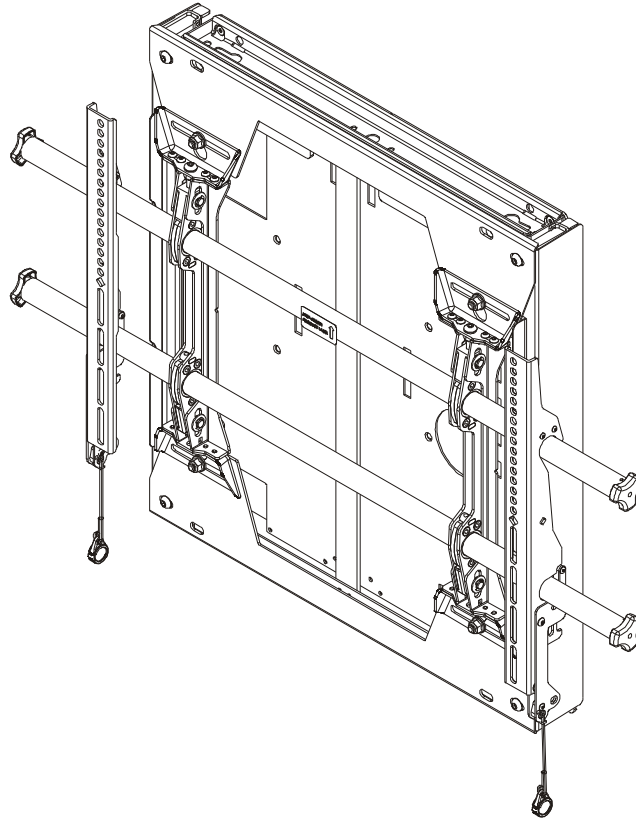


---

# INSTALLATION INSTRUCTIONS

---



---

## Dynamic Height Adjustable Wall Mount

---

## DISCLAIMER

Milestone AV Technologies and its affiliated corporations and subsidiaries (collectively "Milestone"), intend to make this manual accurate and complete. However, Milestone makes no claim that the information contained herein covers all details, conditions or variations, nor does it provide for every possible contingency in connection with the installation or use of this product. The information contained in this document is subject to change without notice or obligation of any kind. Milestone makes no representation of warranty, expressed or implied, regarding the information contained herein. Milestone assumes no responsibility for accuracy, completeness or sufficiency of the information contained in this document.

Chief® is a registered trademark of Milestone AV Technologies. All rights reserved.

## DEFINITIONS

**MOUNTING SYSTEM:** A MOUNTING SYSTEM is the primary Chief product to which an accessory and/or component is attached.

**ACCESSORY:** AN ACCESSORY is the secondary Chief product which is attached to a primary Chief product, and may have a component attached or setting on it.

**COMPONENT:** A COMPONENT is an audiovisual item designed to be attached or resting on an accessory or mounting system such as a video camera, CPU, screen, display, projector, etc.



**WARNING:** A WARNING alerts you to the possibility of serious injury or death if you do not follow the instructions.



**CAUTION:** A CAUTION alerts you to the possibility of damage or destruction of equipment if you do not follow the corresponding instructions.



## IMPORTANT SAFETY INSTRUCTIONS



**WARNING:** Failure to read, thoroughly understand, and follow all instructions can result in serious personal injury, damage to equipment, or voiding of factory warranty! It is the installer's responsibility to make sure all mounting systems/accessories are properly assembled and installed using the instructions provided.



**WARNING:** Failure to provide adequate structural strength for this mounting system can result in serious personal injury or damage to equipment! It is the installer's responsibility to make sure the structure to which this mounting system is attached can support five times the combined weight of all equipment. Reinforce the structure as required before installing the mounting system.



**WARNING:** Use this mounting system only for its intended use as described in these instructions. Do not use attachments not recommended by the manufacturer.



**WARNING:** Never operate this mounting system if it is damaged. Return the mounting system to a service center for examination and repair.



**WARNING:** Do not use this product outdoors.



**WARNING:** Failure to provide adequate structural strength for this mounting system can result in serious personal injury or damage to equipment! It is the installer's responsibility to make sure the structure to which this mounting system is attached can support five times the combined weight of all equipment. Reinforce the structure as required before installing the mounting system / accessory. For wood stud installation, the wall to which the mounting system / accessory is being attached may have a maximum drywall thickness of 5/8" (1.6cm). Do not install drywall anchors into the seam between drywall pieces.



**WARNING:** Exceeding the weight capacity can result in serious personal injury or damage to equipment! It is the installer's responsibility to make sure the combined weight of all accessories and components attached to the MSD1U/LSD1U head assembly up to (and including) the display falls within the specific weight range listed in the table below. The height adjustable feature of this mount will not function properly if the weight is not within the ranges listed below.

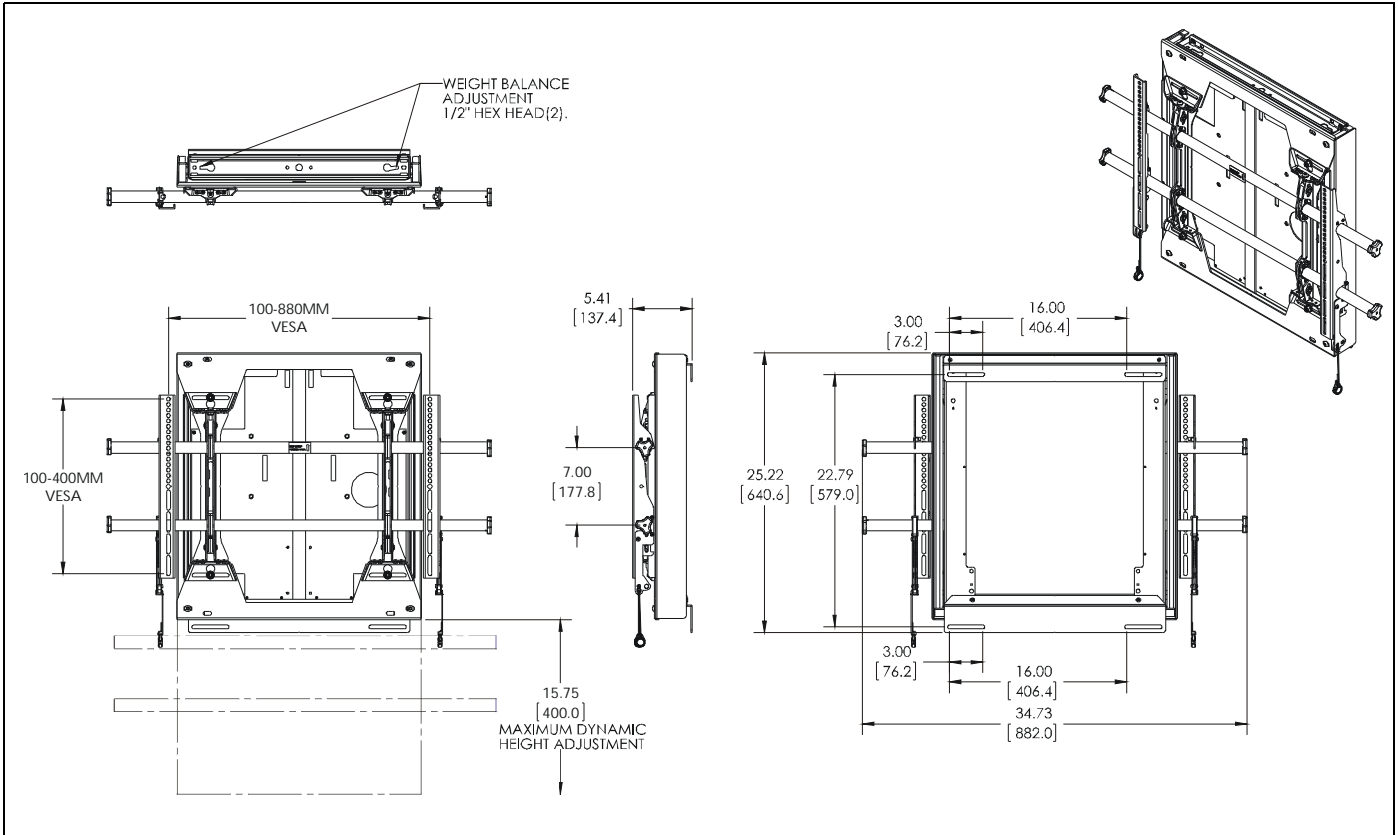
MODEL	Minimum Weight	Max Weight
MSD1U	67 lbs (30.4 kg)	130 lbs (58.9 kg)
LSD1U	122 lbs (55.4 kg)	175 lbs (79.4 kg)

**NOTE:** The MSD1U/LSD1U mount has no user serviceable parts.

**NOTE:** The MSD1U/LSD1U mount can support screen sizes up to a maximum of 100" wide.

**--SAVE THESE INSTRUCTIONS--**

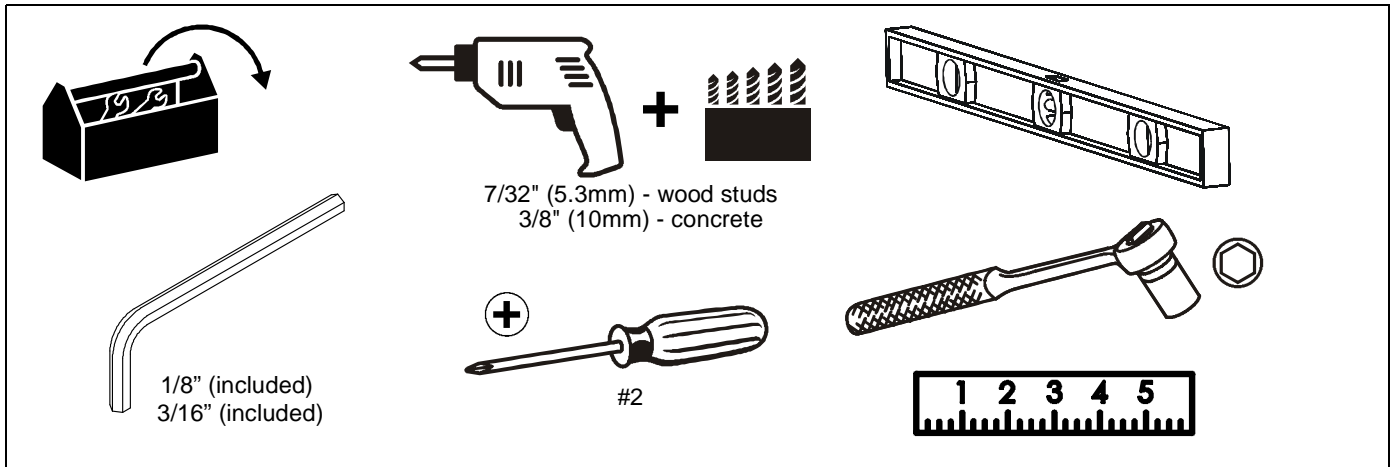
### DIMENSIONS



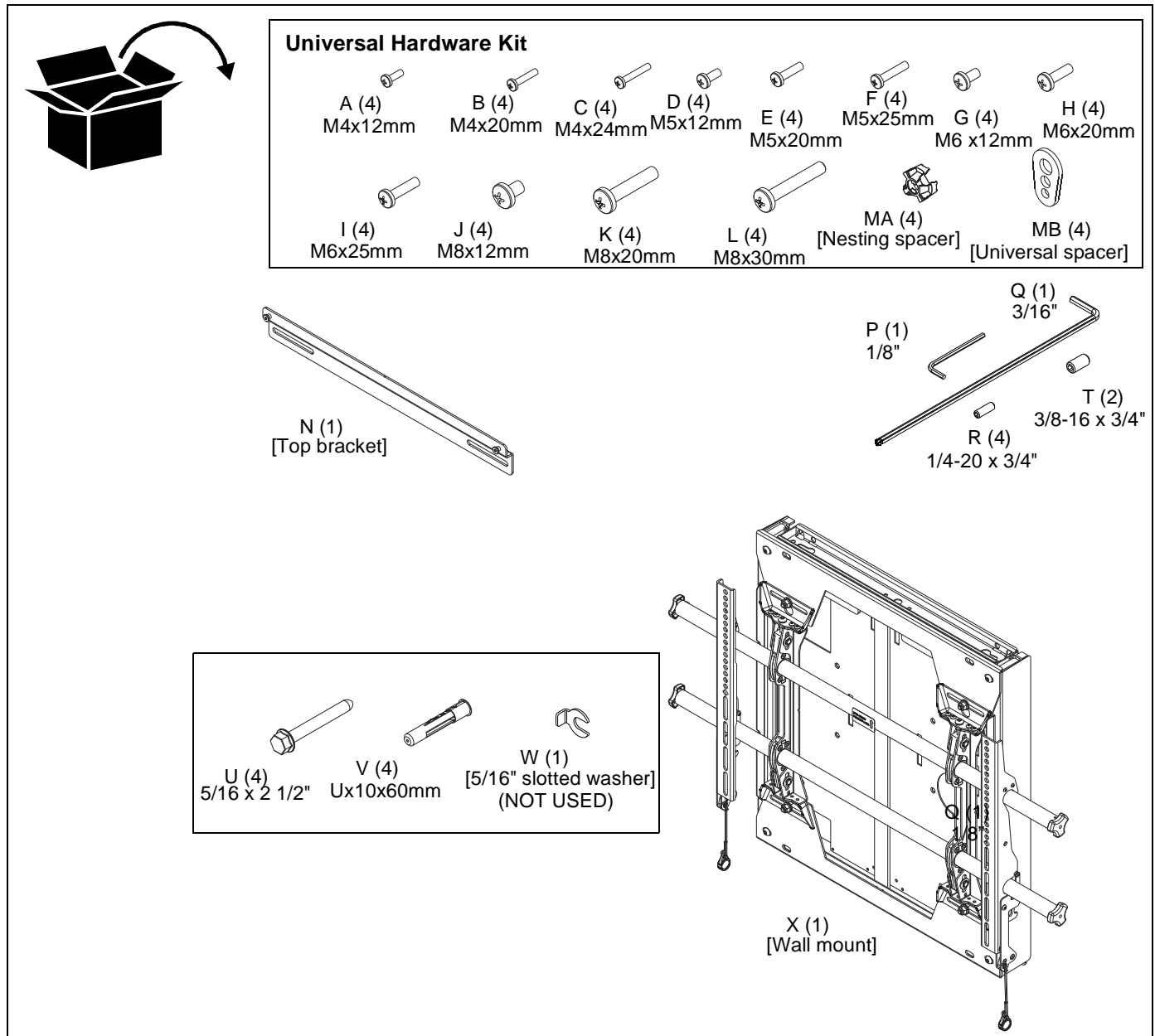
## LEGEND

	<b>Tighten Fastener</b> Apretar elemento de fijación Befestigungsteil festziehen Apertar fixador Serrare il fissaggio Bevestiging vastdraaien Serrez les fixations		<b>Pencil Mark</b> Marcar con lápiz Stiftmarkierung Marcar com lápis Segno a matita Potloodmerkteken Marquage au crayon
	<b>Loosen Fastener</b> Aflojar elemento de fijación Befestigungsteil lösen Desapertar fixador Allentare il fissaggio Bevestiging losdraaien Desserrez les fixations		<b>Drill Hole</b> Perforar Bohrloch Fazer furo Praticare un foro Gat boren Percez un trou
	<b>Phillips Screwdriver</b> Destornillador Phillips Kreuzschlitzschraubendreher Chave de fendas Phillips Cacciavite a stella Kruiskopschroevendraaier Tournevis à pointe cruciforme		<b>Adjust</b> Ajustar Einstellen Ajustar Regolare Afstellen Ajuster
	<b>Open-Ended Wrench</b> Llave de boca Gabelschlüssel Chave de bocas Chiave a punte aperte Steeksleutel Clé à fourche		<b>Remove</b> Quitar Entfernen Remover Rimuovere Verwijderen Retirez
	<b>By Hand</b> A mano Von Hand Com a mão A mano Met de hand À la main		<b>Optional</b> Opcional Optional Opcional Opzionale Optie En option
	<b>Hex-Head Wrench</b> Llave de cabeza hexagonal Sechskantschlüssel Chave de cabeça sextavada Chiave esagonale Zeskantsleutel Clé à tête hexagonale		<b>Security Wrench</b> Llave de seguridad Sicherheitsschlüssel Chave de segurança Chiave di sicurezza Veiligheidsleutel Clé de sécurité

**TOOLS REQUIRED FOR INSTALLATION**



**PARTS**



## Assembly And Installation

The MSD1U/LSD1U is designed to be mounted to:

- a bare concrete wall with a minimum thickness of 8" (203mm);
- a bare 8" x 8" x 16" (203mm x 203mm x 406mm) concrete block wall; or
- wood studs spaced 16" on center with a maximum drywall covering of 5/8".

### Installing to Wood Stud Wall

1. Use a stud-finder to locate 16" studs.
2. Place top bracket (N) against wall at desired mounting location 11.4" above the desired center of the screen. Use a level to ensure a level mount. (See Figure 1)
3. Mark hole locations at each mounting location in the center of each stud. (See Figure 1)
4. Drill two 7/32" holes at marked hole locations. (See Figure 1)
5. Install two 5/16 x 2 1/2" hex head cap screws (U) through holes on top bracket and into drilled holes on wall. (See Figure 1)

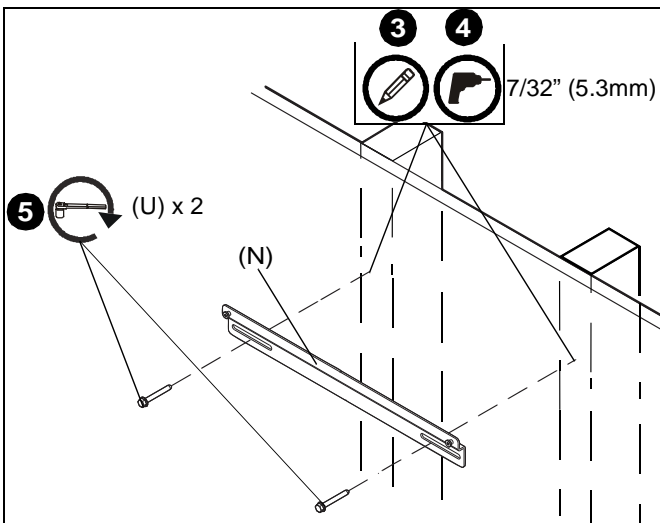


Figure 1

6. Hang wall mount (X) onto top bracket (N) by placing the teardrop mounting holes on mount over thumb nuts on bracket. (See Figure 2)

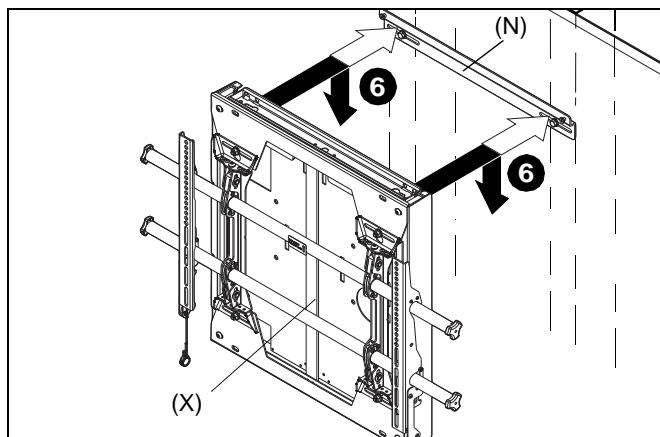


Figure 2

7. Mark hole locations for lower two mounting holes. (See Figure 3)
8. Drill two 7/32" holes at marked hole locations. (See Figure 3)

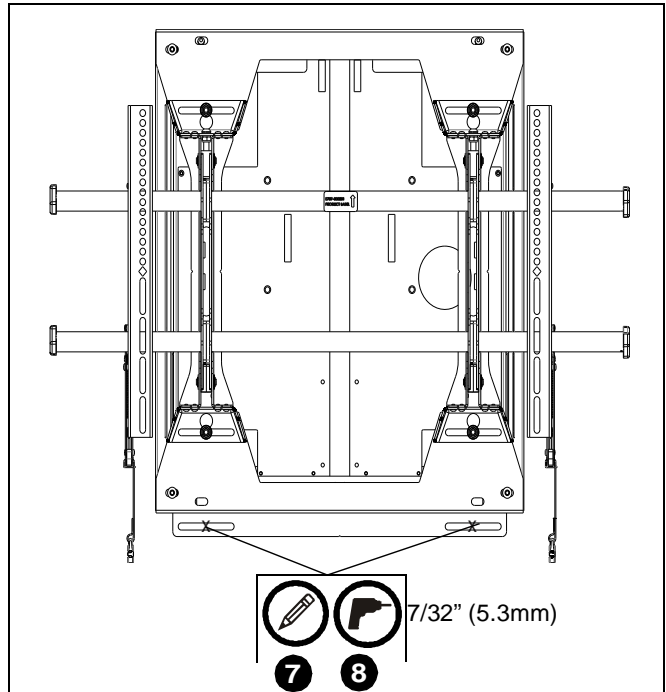


Figure 3

9. Install two 5/16 x 2 1/2" hex head cap screws (U) through lower mounting holes on mount and into drilled holes on wall. (See Figure 4)

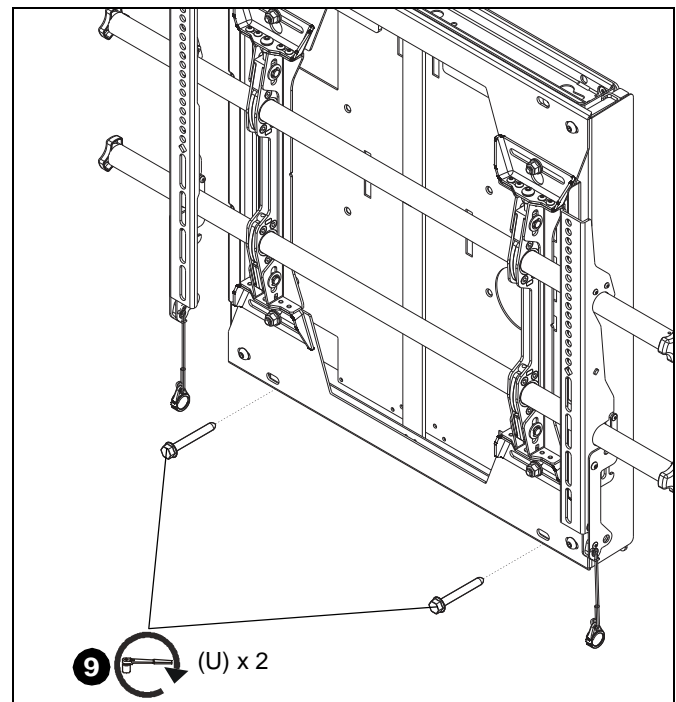
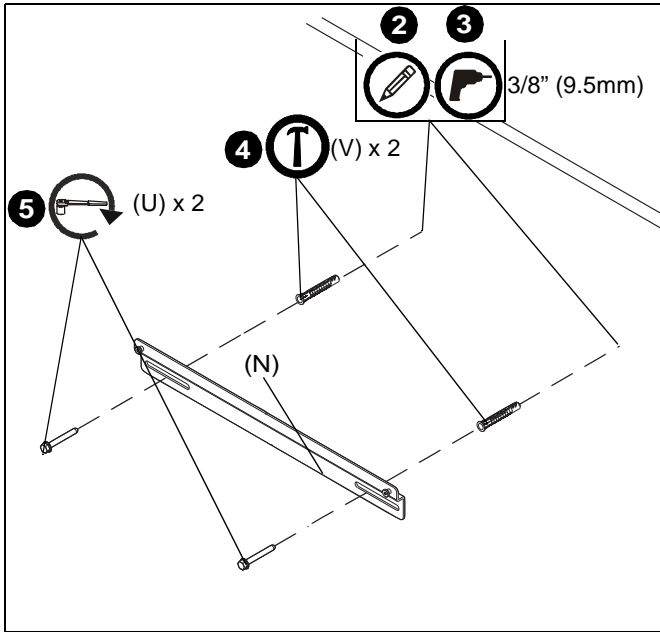


Figure 4

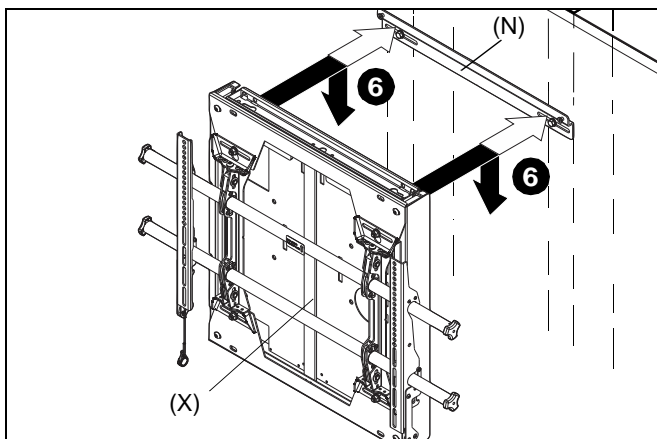
**Installing to a Concrete Wall**

1. Place top bracket (N) against wall at desired mounting location 11.4" above the desired center of the screen. Use a level to ensure a level mount. (See Figure 5)
2. Mark hole locations at each mounting location near the center of each mounting slot. (See Figure 5)
3. Drill two 3/8" holes at marked hole locations. (See Figure 5)
4. Install an anchor (V) into each pilot hole using a hammer, making sure that the anchor is flush with the wall. (See Figure 5)
5. Install two 5/16 x 2 1/2" hex head cap screws (U) through holes on top bracket and into drilled holes on wall. (See Figure 1)



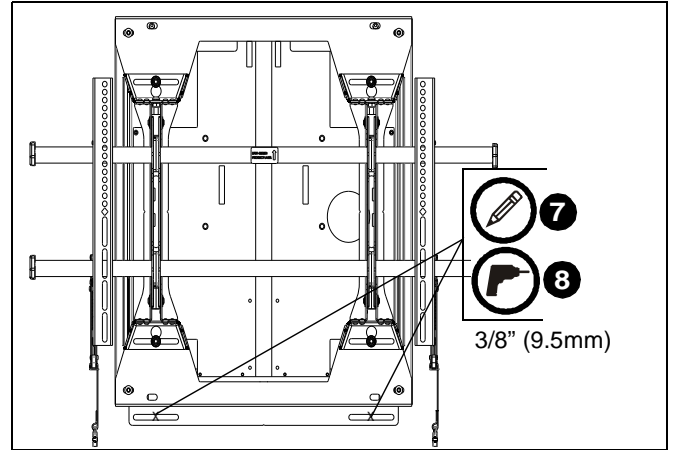
**Figure 5**

6. Hang wall mount (X) onto top bracket (N) by placing the teardrop mounting holes on mount over thumb nuts on bracket. (See Figure 6)



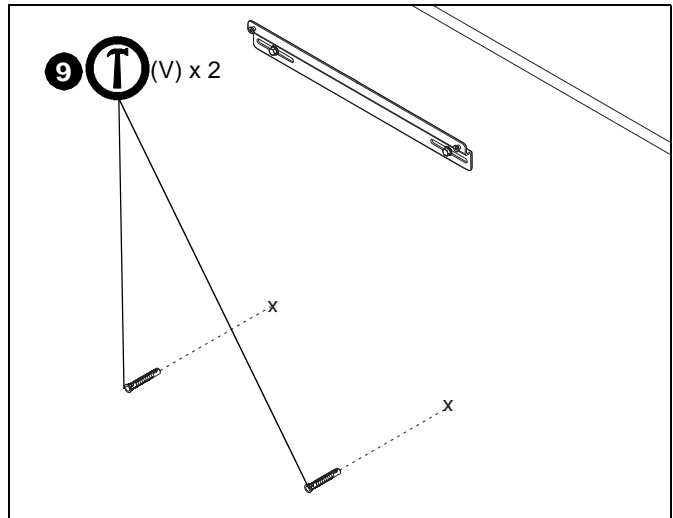
**Figure 6**

7. Mark hole locations for lower two mounting holes. (See Figure 7)
8. Drill two 3/8" holes at marked hole locations. (See Figure 7)



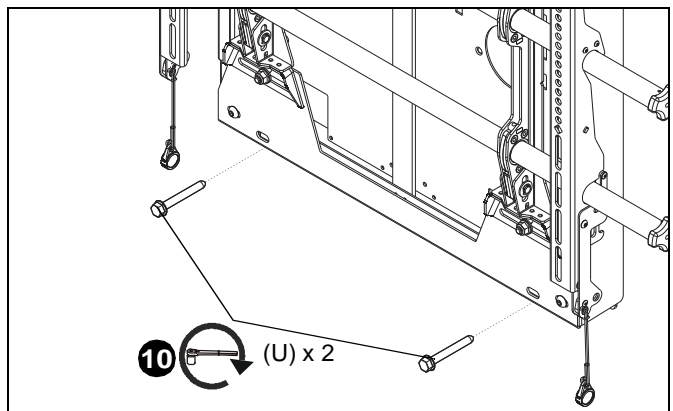
**Figure 7**

9. Remove mount (X) from top bracket and install an anchor (V) into each pilot hole using a hammer, making sure that the anchor is flush with the wall. (See Figure 8)



**Figure 8**

10. Hang wall mount back onto top bracket and install two 5/16 x 2 1/2" hex head cap screws (U) through lower mounting holes on mount and into concrete anchors. (See Figure 9)

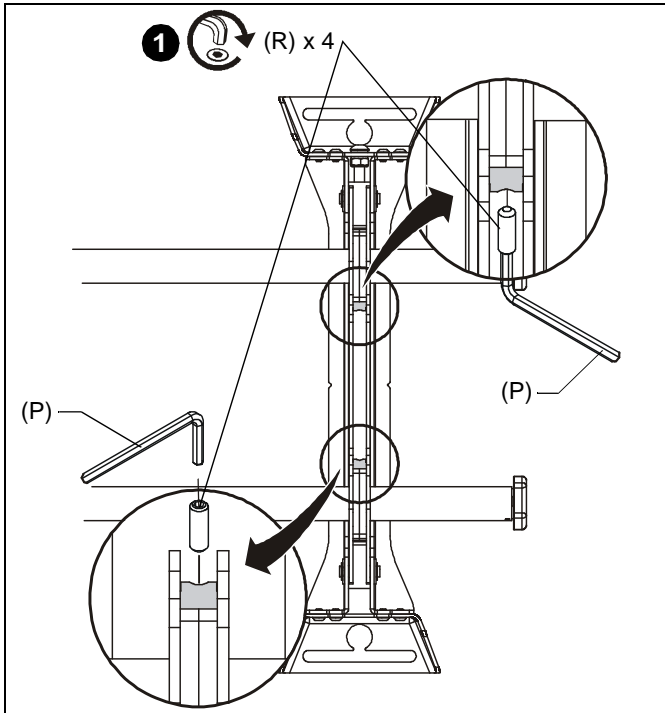


**Figure 9**

**Locking Rails (Optional)**

1. Lock rails into place using two 1/4-20 x 3/4" set screws (R) on mount upright (X) and the 1/8" hex key (P). (See Figure 10)
2. Repeat for remaining mount upright.

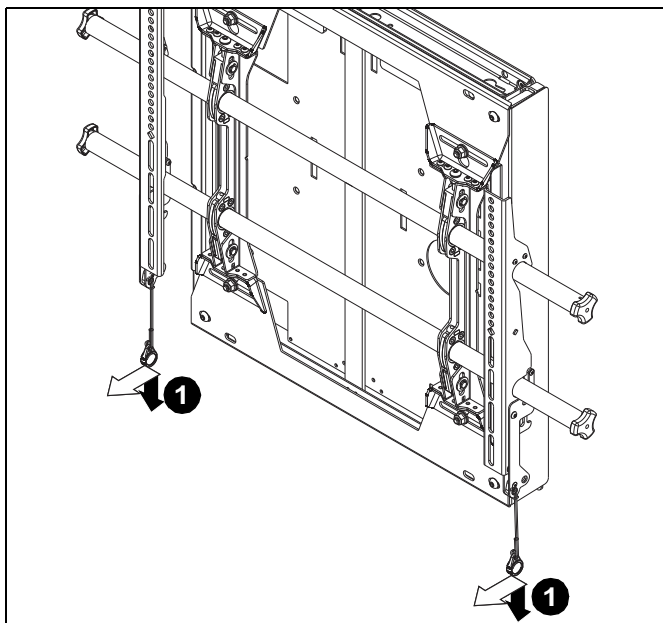
**NOTE:** To easily install upper set screw against upper rail, place set screw (R) onto hex key (P), and feed up into hole while turning to tighten.



**Figure 10**

**Attaching Interface Brackets to Screen**

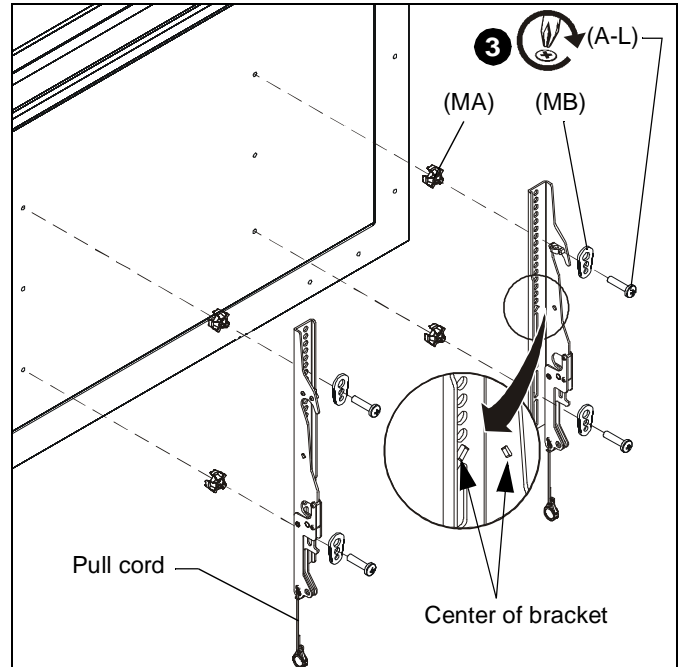
1. Remove interface brackets from rails by pulling down on pull cords and pulling away from rails. (See Figure 11)



**Figure 11**

2. Align the center of the removed brackets with center of screen. (See Figure 12)

**NOTE:** The diamond-shape holes in the bracket correspond to the center of the mount.



**Figure 12**

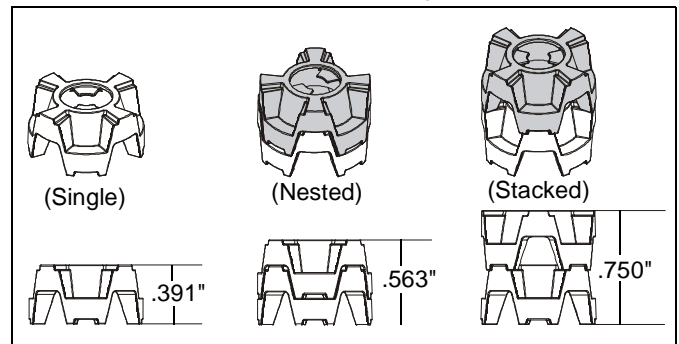


**WARNING:** IMPROPER INSTALLATION CAN LEAD TO DISPLAY FALLING CAUSING SERIOUS PERSONAL INJURY OR DAMAGE TO EQUIPMENT! Using screws of improper size may damage your display. Properly sized screws will easily and completely thread into display mounting holes. If spacers are required, be sure to use longer screws of the same diameter.

3. Select correct screws, nesting spacers (if necessary) and universal washers from the hardware bag (A-M) and attach brackets to back of screen. (See Figure 12)

**IMPORTANT ! : (LSD1U ONLY)** If M4 fasteners are used to attach brackets to back of screen, the weight of the screen may NOT exceed 150 lbs (68.0 kg).

**NOTE:** The nesting spacers (MA) may be used separately, or put two together in different configurations to create different size spacers. (See Figure 13)



**Figure 13**



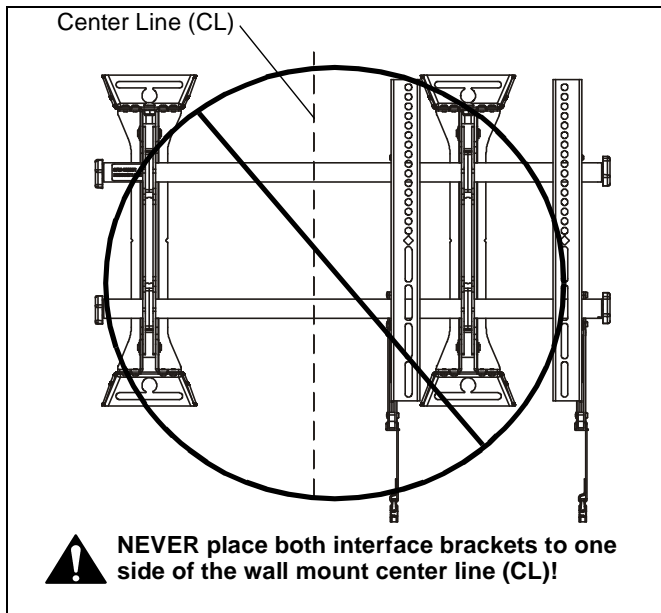
**Attaching Screen to Wall Mount**



**WARNING:** Exceeding the weight capacity can result in serious personal injury or damage to equipment! It is the installer's responsibility to make sure the combined weight of all accessories and components attached to the MSD1U/ LSD1U head assembly up to (and including) the display falls within the specific weight range listed in the table below. The height adjustable feature of this mount will not function properly if the weight is not within the ranges listed below.

MODEL	Minimum Weight Allowed	Max Weight Allowed
MSD1U	67 lbs (30.4 kg)	130 lbs (58.9 kg)
LSD1U	122 lbs (55.4 kg)	175 lbs (79.4 kg)

**NOTE:** NEVER place both interface brackets to one side of the wall mount center line! (See Figure 14)



**Figure 14**

1. Hang screen by hanging top hook of interface brackets onto the top rail of the mount (X). (See Figure 15)

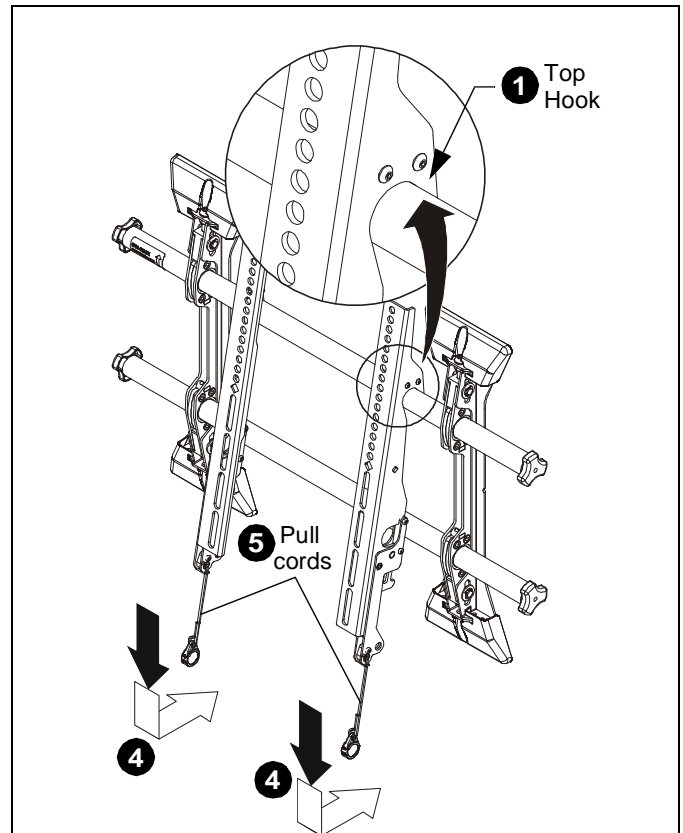
**NOTE:** The screen initially installs into the "service mode" to allow easy cable access.

- 2. Adjust screen and rails to desired viewing position.
- 3. Route cables between wall and rails.



**CAUTION:** PINCH POINTS! Keep fingers, hands and cables out of pinch point areas.

- 4. Pull downward on the pull cords and swing inward toward wall, latching interface brackets to lower rail and fastening bottom of screen to the mount. (See Figure 15)
- 5. Attach end of pull cord (a magnet) to mount so it does not extend beyond bottom of screen. (See Figure 15)



**Figure 15**

## Adjustments

### Height Adjustment - Head Assembly

1. Height may be adjusted up or down by manually adjusting height of head assembly. (See Figure 16)
2. Use 1/2" socket wrench to increase or decrease tension. Turn screw clockwise to increase tension and counterclockwise to decrease tension. (See Figure 16)

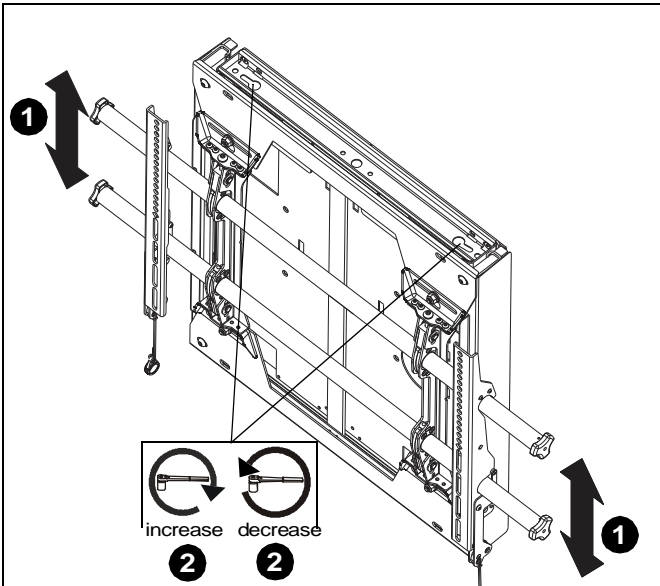


Figure 16

### Roll/Height Adjustment of Wall Brackets

**NOTE:** The height adjust wall brackets allow adjustment of  $\pm 1/2"$ .

1. Turn to right (tighten) to raise side of screen. (See Figure 17)
2. Turn to left (loosen) to lower side of the screen.

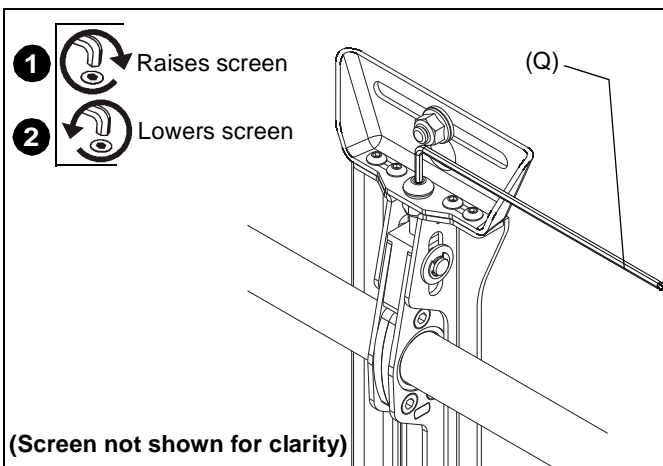


Figure 17

### Locking Screen Interface Brackets (Optional)

1. Lock screen interface brackets onto mount rails using one 3/8-16 x 3/4" set screw (T) on each interface bracket. (See Figure 18)

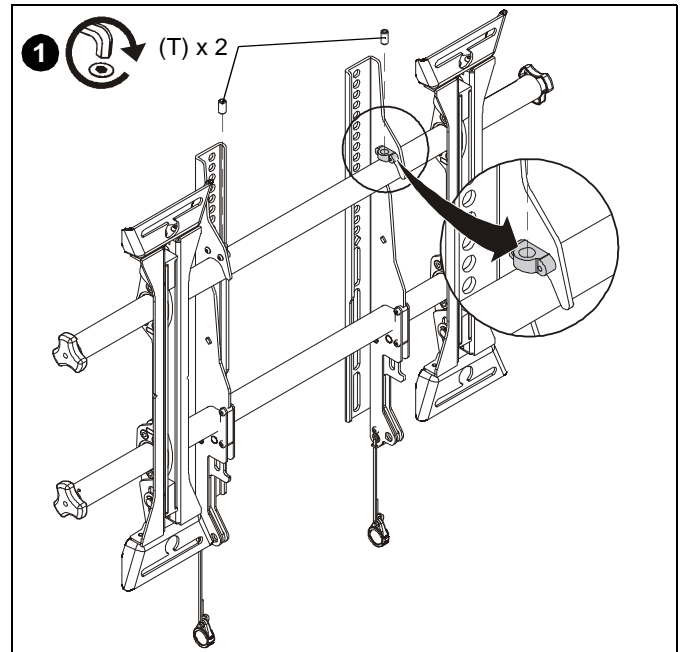


Figure 18

### Locking Mount (Optional)

1. Add padlock (not included) to interface bracket to complete security. (See Figure 19)

**NOTE:** The padlock maximum shackle diameter is 5/16" (7.9 mm).

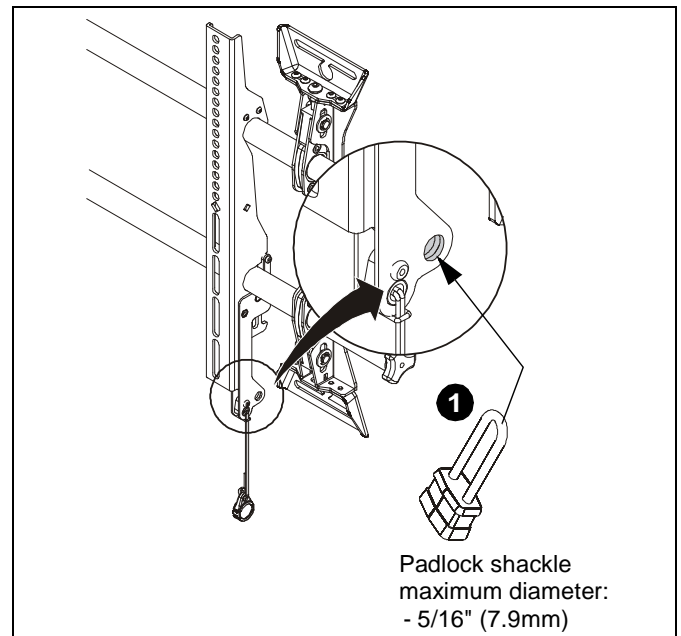


Figure 19





Our Mounts. **Your Vision.**

Chief, a products division of  
Milestone AV Technologies

8800-002827 Rev02  
©2016 Milestone AV Technologies  
[www.milestone.com](http://www.milestone.com)  
08/16

<b>USA/International</b>	<b>A</b> 6436 City West Parkway, Eden Prairie, MN 55344 <b>P</b> 800.582.6480 / 952.225.6000 <b>F</b> 877.894.6918 / 952.894.6918
<b>Europe</b>	<b>A</b> Franklinstraat 14, 6003 DK Weert, Netherlands <b>P</b> +31 (0) 495 580 852 <b>F</b> +31 (0) 495 580 845
<b>Asia Pacific</b>	<b>A</b> Office No. 918 on 9/F, Shatin Galleria 18-24 Shan Mei Street Fotan, Shatin, Hong Kong <b>P</b> 852 2145 4099 <b>F</b> 852 2145 4477

