

PHILIPS



ColorBlaze 72
Upgrade Kit

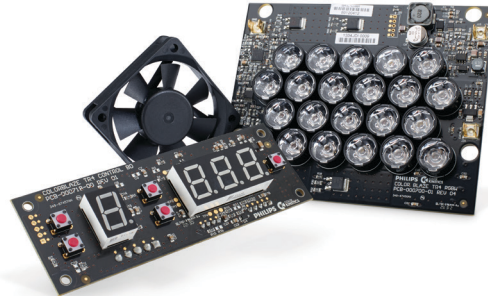
LED Luminaire

Date: _____

Type: _____

Firm Name: _____

Project: _____



ColorBlaze 72 Upgrade Kit

RGBA, 18° Beam Angle

Upgrade for ColorBlaze industry-standard theatrical and rental LED batten

The ColorBlaze Upgrade Kit retrofits any ColorBlaze 72 fixture to four-channel RGBA operation. Expanded on-board controls feature a range of new functions, including multiple color control modes, 8- and 16-bit resolution, a configurable intensity channel, transition speeds, dimming curves, improved color consistency with Chromasync technology, and three built-in effects (Fixed Color, Color Wash, and Chasing Rainbow).

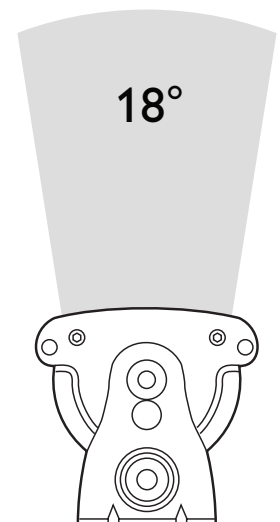
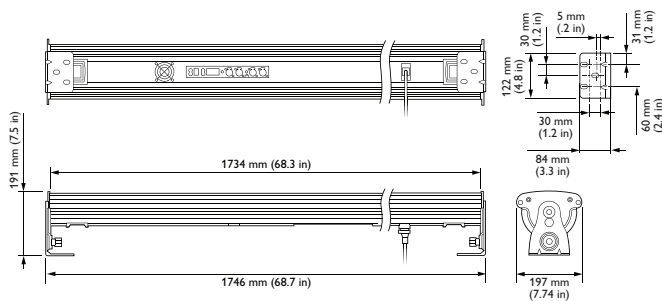
ColorBlaze 72 Upgrade Kit

Upgrade for ColorBlaze industry-standard theatrical and rental LED batten

- Versatile, intense light output—Upgraded fixtures provide nearly double the lumen output. Controllable in increments of 152 mm (6 in) to 1.8 m (6 ft), fixtures deliver stunning effects and intense washes of color for flooding surfaces and stages.
- Expanded color palettes—Channels of amber or neutral white LEDs seamlessly blend with channels of red, green, and blue LEDs to produce significantly expanded color palettes. In addition to the millions of saturated colors achievable with standard RGB lighting fixtures, RGBW fixtures provide high-quality white light, while RGBA fixtures create intense yellows and an extended range of subtle pastel colors.
- Flexible color control—Choose from four-channel RGBW or RGBA in/out and three-channel RGB in mapped to four-channel RGBW or RGBA out.
- Superior color consistency and accuracy—Optibin, an advanced binning algorithm, sets a new standard for the color consistency and uniformity of LED sources used in manufacturing. Chromasync technology achieves unprecedented consistency of light performance and color precision across multiple fixtures in an installation, while maximizing intensity and color range.
- Adjustable dimming curves and transition speeds—16-bit resolution supports smooth dimming and precise color control. Adjustable dimming curves and LED transition speeds emulate the behavior of other Philips Color Kinetics fixtures and conventional theatrical fixtures with DMX dimming.
- Push-button addressing and configuration—Onboard addressing offers easy configuration without external addressing tools.
- Built-in effects—Offers Fixed Color, Color Wash, and Chasing Rainbow effects, without the need for an external controller.
- Upgrade Kit Components—The Upgrade Kit contains LED boards, a fan, a controller board, mounting hardware and jumper cables.

For detailed product information, please refer to the ColorBlaze 72 Upgrade Kit Product Guide at www.colorkinetics.com/ls/rgb/colorblaze-upgrade-kit

Dimensions



Specifications

Due to continuous improvements and innovations, specifications may change without notice.

Date: _____

Type: _____

Firm Name: _____

Project: _____

ColorBlaze 72 Upgrade Kit

RGBA, 18° Beam Angle

Output

Beam Angle	18°
Lumens†	11,832
Efficacy (lm/W)	35.6
LED Channels	Red/Green/Blue/Amber
Mixing Distance	152 mm (6 in) to uniform light

Electrical

Input Voltage	100–240 VAC, auto-switching, 50/60 Hz
Power Consumption <i>(Maximum at full output, steady state)</i>	420 W

Control

Interface	DMX
Control System	Philips Color Kinetics full range of controllers, including Light System Manager, Video System Manager Pro, iPlayer 3, Antumbra iColor Keypad, and ColorDial Pro, or third-party controllers

Lumen Maintenance

Threshold§	Ambient Temperature	Reported¶	Calculated¶
L ₇₀	25° C	71,000	
	50° C	71,000	
L ₅₀	25° C	74,000	
	50° C	71,000	

Physical

Dimensions <i>(Height x Width x Depth)</i>	191 x 1746 x 165 mm (7.5 x 68.7 x 6.5 in)
Weight	27.2 kg (60 lb) <i>Fixture with upgrade kit</i>
Housing Material	Extruded aluminium, black finish
Lens	Clear polycarbonate
Fixture Connections	IEC power cable, RJ45, Ethercon, or XLR-5 data connections
Temperature Ranges	-40° – 50° C (-40° – 122° F) Operating -20° – 50° C (-4° – 122° F) Startup -40° – 80° C (-40° – 176° F) Storage
Humidity	0 – 95%, non-condensing

Certification and Safety

Approbation	UL/cUL, CE, FCC Class A
Environment	Dry Location, IP20



† 1.2 m (4 ft) lumen output measurements comply with IES LM-79-08 testing procedures. 1.6 m (6 ft) measurements are estimated based on the 1.2 m (4 ft) measurements.

§ L_{xx} = xx% lumen maintenance (when light output drops below xx% of initial output). All values are given at B10, or the median value where 90% of the LED population is better than the reported or calculated lumen maintenance measurement.

¶ Lumen maintenance figures are based on lifetime prediction graphs supplied by LED source manufacturers. Whenever possible, figures use measurements that comply with IES LM-80-08 testing procedures. In accordance with TM-21-11, Reported values represent the interpolated value based on six times the LM-80-08 total test duration (in hours). Calculated values represent time durations that exceed six times the total test duration.

ColorBlaze 72 Upgrade Kit Photometrics 48 inch, RGBA, 18° beam angle

Photometric data is based on test results from an independent NIST traceable testing lab. IES data is available at www.philipscolorkinetics.com/support/ies.

Beam Angle	18°
LED	RGBA
Lumens	7,888
Efficacy (lm/W)	35.6

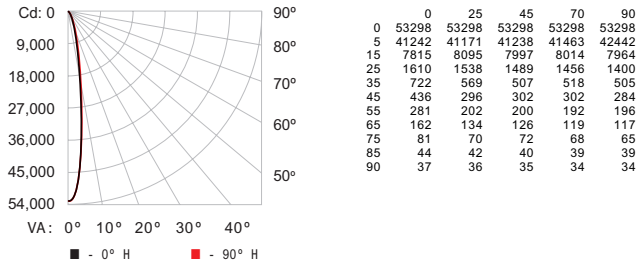


Illuminance at Distance

	Center Beam fc	Beam Width
4 ft	3,331.13 fc	1.2 ft 1.3 ft
8 ft	832.78 fc	2.5 ft 2.5 ft
12 ft	370.13 fc	3.7 ft 3.8 ft
16 ft	208.10 fc	5.0 ft 5.1 ft
20 ft	133.25 fc	6.2 ft 6.3 ft
24 ft	92.53 fc	7.5 ft 7.6 ft

231 ft (70.4 m)
 1 fc maximum distance
 ■ Vert. Spread: 17.7°
 ■ Horiz. Spread: 18.0°

Polar Candela Distribution



Zonal Lumen

Zone	Lumens	% Fixture
0 - 60	7627.0	96.7 %
60 - 90	260.7	3.3 %
0 - 90	7887.7	100 %

Coefficients Of Utilization - Zonal Cavity Method

RCC %:	Effective Floor Cavity Reflectance: 20%																	
	80		70		50		30		10		0							
RW %:	70	50	30	0	70	50	30	0	50	30	20	50	30	20	50	30	20	0
RCR: 0	119	119	119	119	116	116	116	100	111	111	111	106	106	106	102	102	102	100
1	114	112	110	108	112	110	108	96	106	104	103	102	101	100	99	98	97	95
2	110	106	103	100	108	104	101	92	101	99	97	98	96	95	96	94	93	91
3	106	101	97	94	104	100	96	88	97	94	92	95	92	90	93	91	89	88
4	103	97	92	89	101	96	92	85	94	90	88	92	89	87	90	88	86	84
5	99	93	89	85	98	92	88	83	91	87	84	89	86	84	88	85	83	82
6	97	90	85	82	95	89	85	80	88	84	81	87	83	81	85	83	80	79
7	94	87	83	80	93	86	82	78	85	82	79	84	81	79	83	80	78	77
8	91	85	80	77	90	84	80	76	83	79	77	82	79	76	81	78	76	75
9	89	82	78	75	88	82	78	74	81	77	75	80	77	75	80	77	74	73
10	87	80	76	73	86	80	76	73	79	76	73	78	75	73	78	75	73	72

For lux multiply fc by 10.7

Fixture and Accessories

Use Item Number when ordering in North America.

Fixture	Item Number	Philips 12NC
ColorBlaze 72 Upgrade Kit RGBA, 18° Beam Angle	116-000036-00	910503704679

Copyright © 2016 Philips Solid-State Lighting Solutions, Inc. All rights reserved. Chromacore, Chromasic, CK, the CK logo, Color Kinetics, the Color Kinetics logo, ColorBlast, ColorBlaze, ColorBurst, eW Fuse, ColorGraze, ColorPlay, ColorReach, iW Reach, eW Reach, DIMand, EssentialWhite, eW, EvenBalance, iColor, iColor Cove, IntelliWhite, iW, iPlayer, Optibin, Powercore and PureGlow are either registered trademarks or trademarks of Philips Solid-State Lighting Solutions, Inc. in the United States and/or other countries. All other brand or product names are trademarks or registered trademarks of their respective owners. Due to continuous improvements and innovations, specifications may change without notice.

DAS-000132-08 R00 07 Apr 2015



Philips Color Kinetics
www.philips.com/colorkinetics