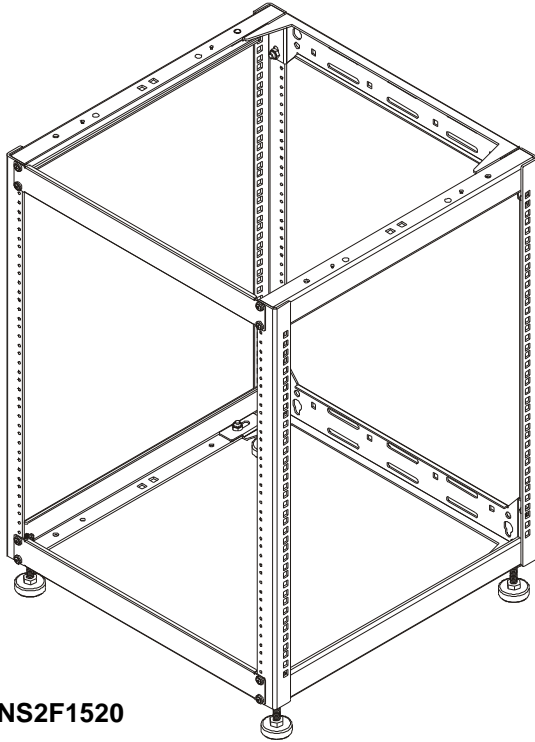
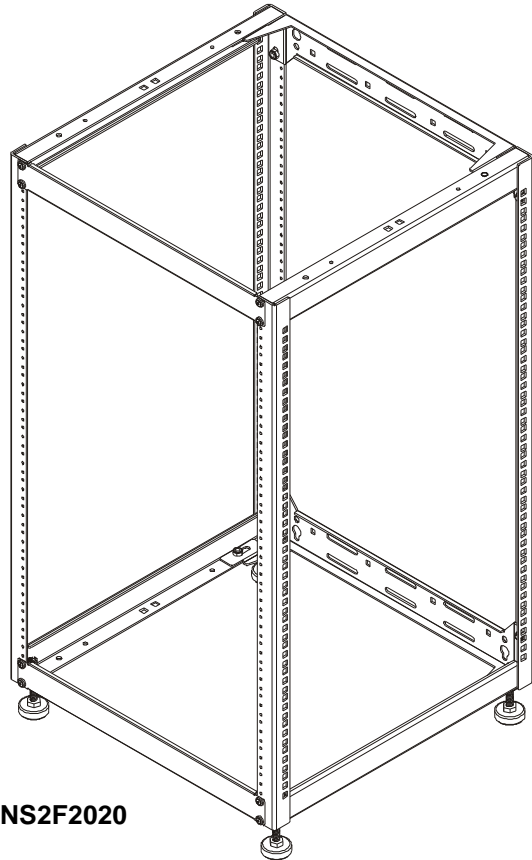


INSTALLATION INSTRUCTIONS



NS2F1520



NS2F2020

Stackable Racks

DISCLAIMER

Milestone AV Technologies and its affiliated corporations and subsidiaries (collectively "Milestone"), intend to make this manual accurate and complete. However, Milestone makes no claim that the information contained herein covers all details, conditions or variations, nor does it provide for every possible contingency in connection with the installation or use of this product. The information contained in this document is subject to change without notice or obligation of any kind. Milestone makes no representation of warranty, expressed or implied, regarding the information contained herein. Milestone assumes no responsibility for accuracy, completeness or sufficiency of the information contained in this document.

Chief® is a registered trademark of Milestone AV Technologies. All rights reserved.



IMPORTANT SAFETY INSTRUCTIONS



WARNING: A WARNING alerts you to the possibility of serious injury or death if you do not follow the instructions.



CAUTION: A CAUTION alerts you to the possibility of damage or destruction of equipment if you do not follow the corresponding instructions.



WARNING: Failure to read, thoroughly understand, and follow all instructions can result in serious personal injury, damage to equipment, or voiding of factory warranty! It is the installer's responsibility to make sure all components are properly assembled and installed using the instructions provided.



WARNING: Failure to provide adequate structural strength for this component can result in serious personal injury or damage to equipment! It is the installer's responsibility to make sure the structure to which this component is attached can support five times the combined weight of all equipment. Reinforce the structure as required before installing the component.



WARNING: Exceeding the weight capacity can result in serious personal injury or damage to equipment! It is the installer's responsibility to make sure the combined weight of all components located within the rack does not exceed 600 lbs (272 kg) if rack is free-standing or stacked or 200 lbs (90.7 kg) if mounted to a wall. Use with products heavier than the maximum weight indicated may result in instability or collapse of the rack causing possible injury.



WARNING: Do NOT stack more than two rack assemblies on top of each other.



CAUTION: If free standing, always load the rack from the bottom up and load the heaviest item in the rack first to prevent tipping. If mounted to a wall, weight can be distributed as desired.



CAUTION: If free standing, 50% of the total weight should be mounted in the lower third of the rack.

IMPORTANT ! : Minimum spacings between the Accessories and components and the (ITC/AV) Rack Enclosure shall be maintained for safe operation of the equipment when installed in accordance with the National Electric Code, ANSI/NFPA 70-2008. Operating temperature inside rack shall not exceed 104°F.



WARNING: Do not use this product outdoors.



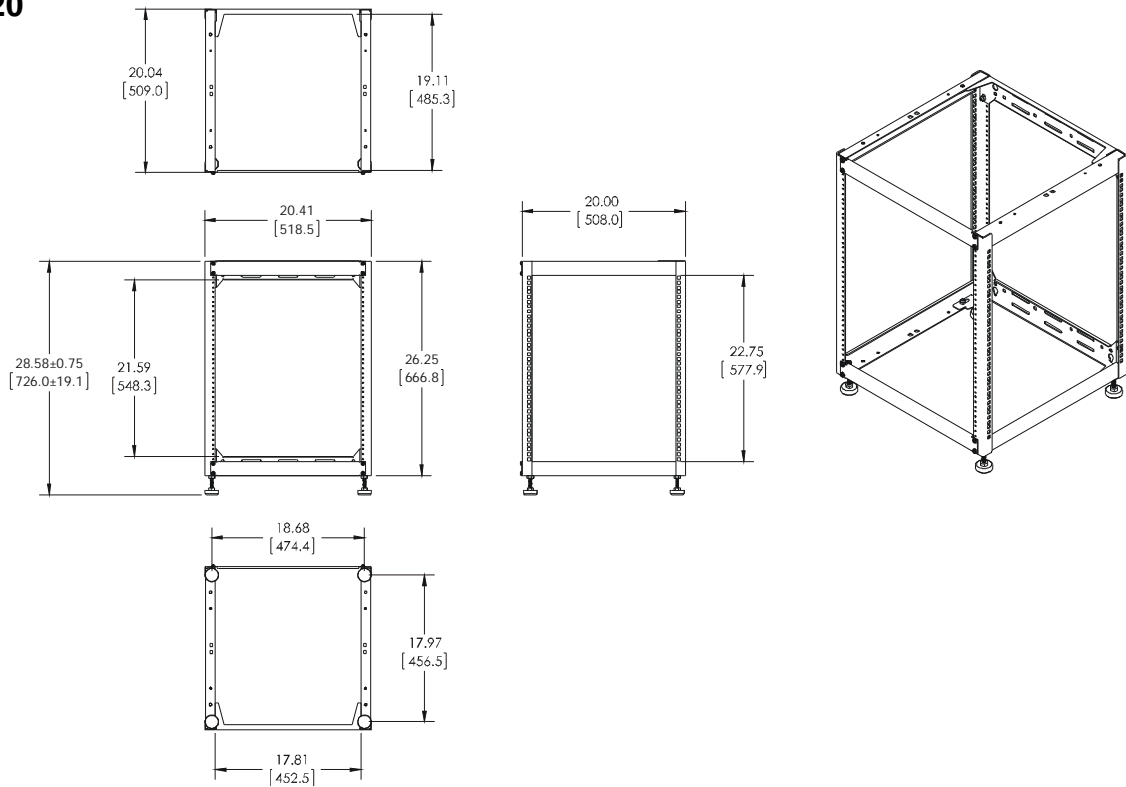
WARNING: RISK OF INJURY TO PERSONS! Do not use this mounting system to support video equipment such as televisions or computer monitors.

IMPORTANT ! : NS2F1520-2020 racks are designed to be mounted to an 8" concrete, 8"x8"x16" concrete block, or 2" x 4" wood studs (16" on center) wall.

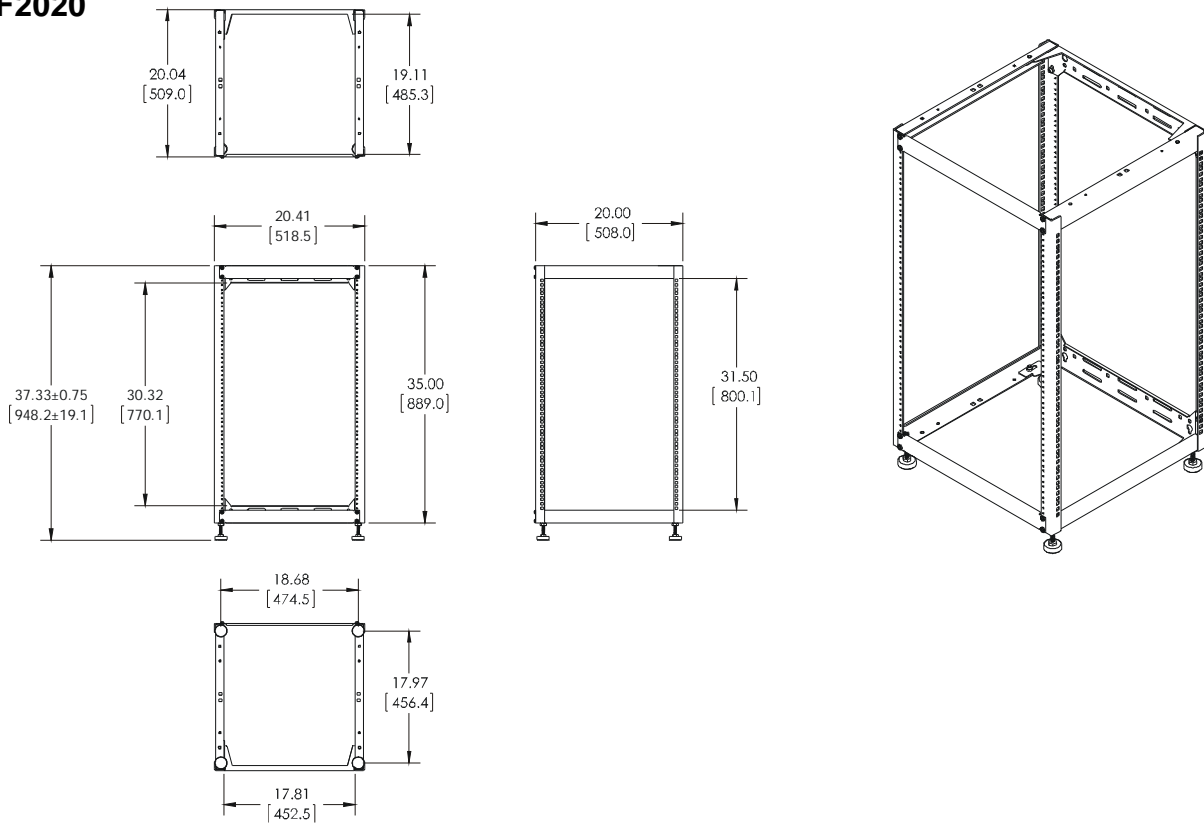
--SAVE THESE INSTRUCTIONS--

DIMENSIONS



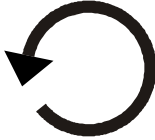









NS2F1520



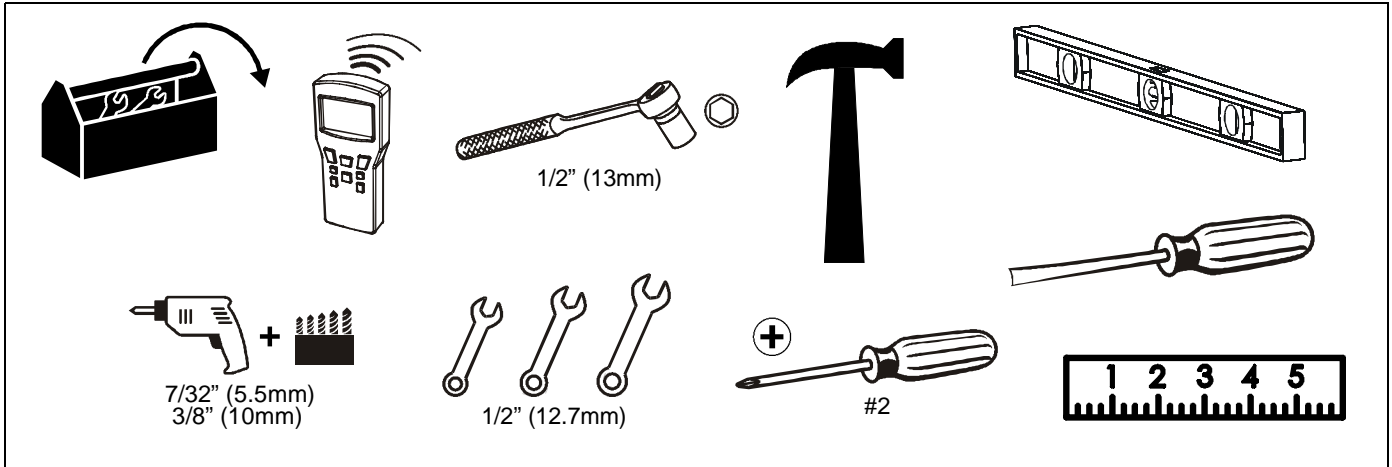
NS2F2020



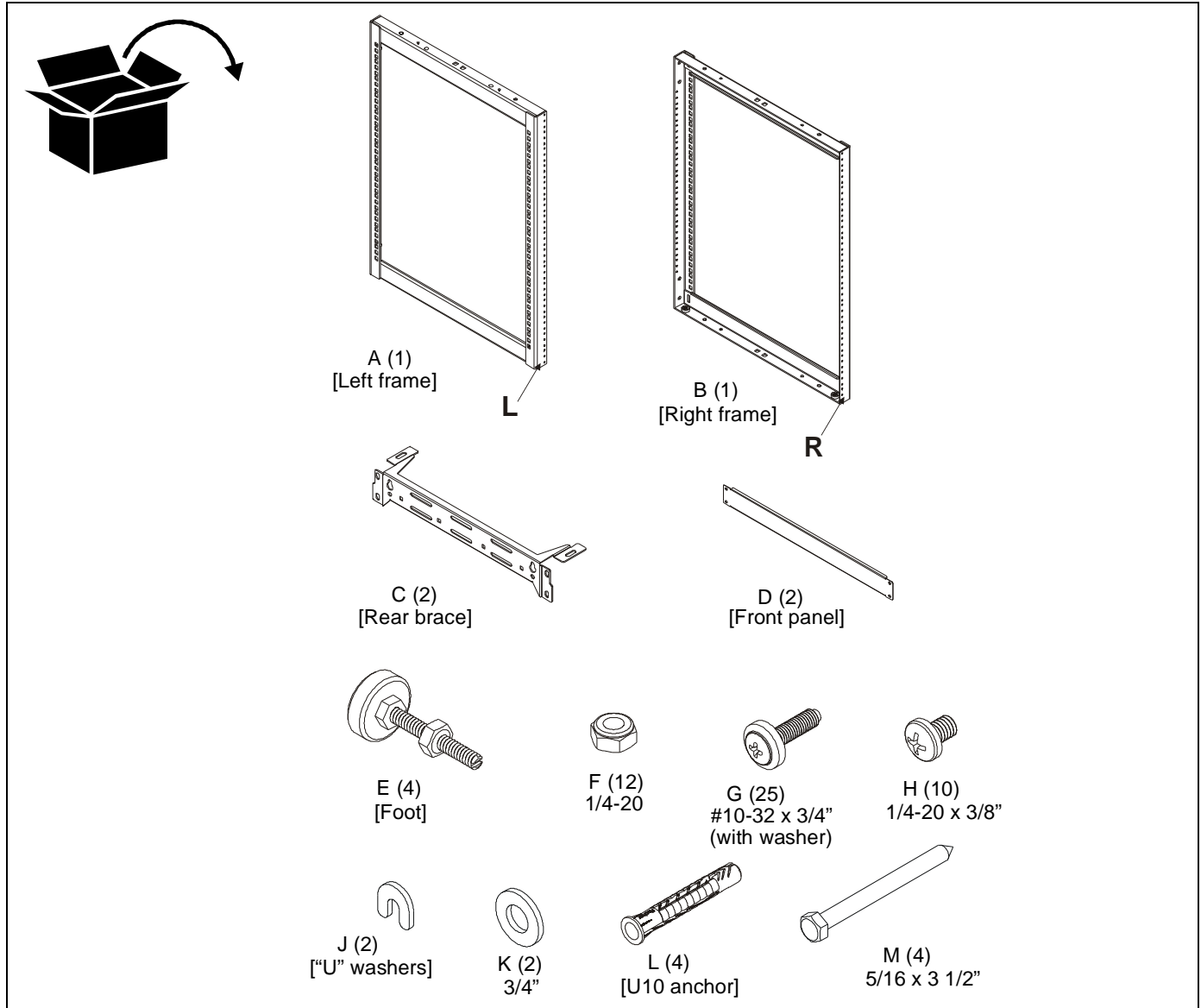
LEGEND

	Tighten Fastener Apretar elemento de fijación Befestigungsteil festziehen Apertar fixador Serrare il fissaggio Bevestiging vastdraaien Serrez les fixations		Pencil Mark Marcar con lápiz Stiftmarkierung Marcar com lápis Segno a matita Potloodmerkteken Marquage au crayon
	Loosen Fastener Aflojar elemento de fijación Befestigungsteil lösen Desapertar fixador Allentare il fissaggio Bevestiging losdraaien Desserrez les fixations		Drill Hole Perforar Bohrloch Fazer furo Praticare un foro Gat boren Percez un trou
	Phillips Screwdriver Destornillador Phillips Kreuzschlitzschraubendreher Chave de fendas Phillips Cacciavite a stella Kruiskopschroevendraaier Tournevis à pointe cruciforme		Adjust Ajustar Einstellen Ajustar Regolare Afstellen Ajuster
	Open-Ended Wrench Llave de boca Gabelschlüssel Chave de bocas Chiave a punte aperte Steeksleutel Clé à fourche		Remove Quitar Entfernen Remover Rimuovere Verwijderen Retirez
	By Hand A mano Von Hand Com a mão A mano Met de hand À la main		Optional Opcional Optional Opcional Opzionale Optie En option
	Hex-Head Wrench Llave de cabeza hexagonal Sechskantschlüssel Chave de cabeça sextavada Chiave esagonale Zeskantsleutel Clé à tête hexagonale		Security Wrench Llave de seguridad Sicherheitsschlüssel Chave de segurança Chiave di sicurezza Veiligheidsleutel Clé de sécurité

TOOLS REQUIRED FOR INSTALLATION



PARTS



Assembly And Installation

Frame Construction

1. Position brace (C) over screw studs on left frame (A). (See Figure 1)
2. Thread two 1/4-20 hex nuts (F) over vertical screw studs to secure brace (C) to left frame (A). (See Figure 1)
3. Thread 1/4-20 hex nut (F) over horizontal screw stud to secure brace (C) to left frame (A). (See Figure 1)

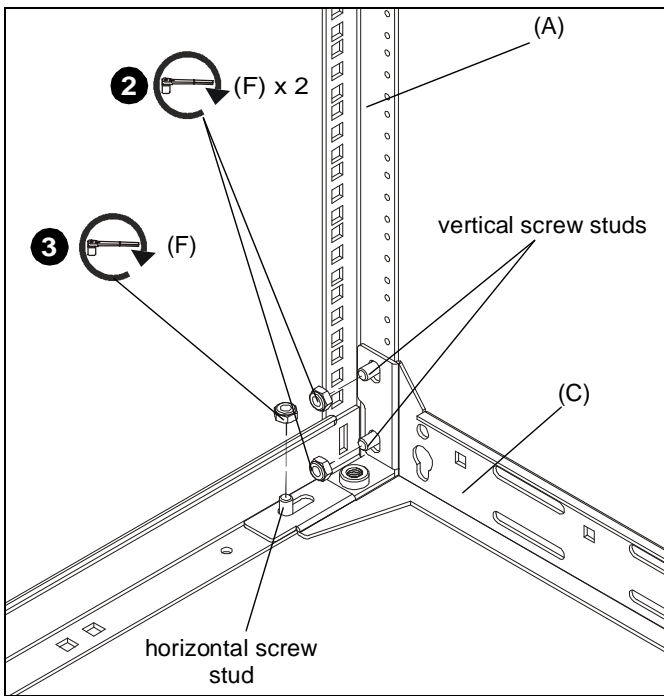


Figure 1

4. Repeat steps 1-3 to secure right frame (B) to brace (C). (See Figure 2)

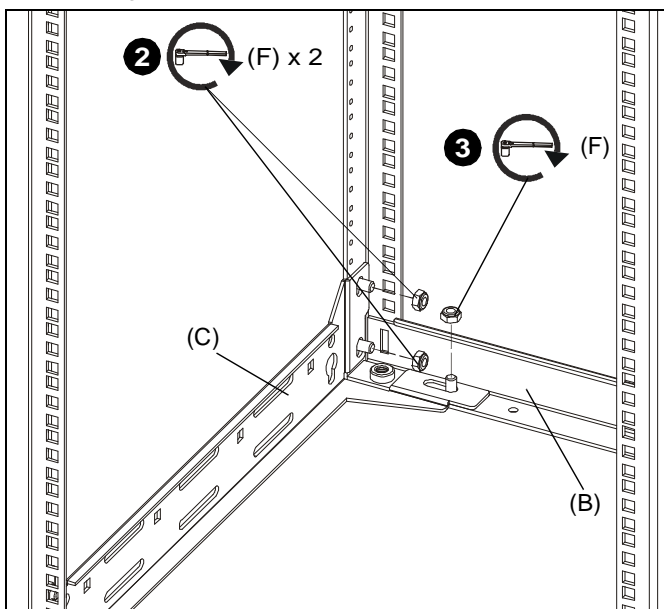


Figure 2

5. Position second brace (C) over upper screw studs on left and right frames (A and B). (See Figure 3)
6. Thread four 1/4-20 hex nuts (F) over vertical studs to secure brace (C) to left and right frames (A and B). (See Figure 3)
7. Thread two 1/4-20 hex nuts (F) over horizontal screw studs to secure brace to right and left frames (A and B). (See Figure 3)

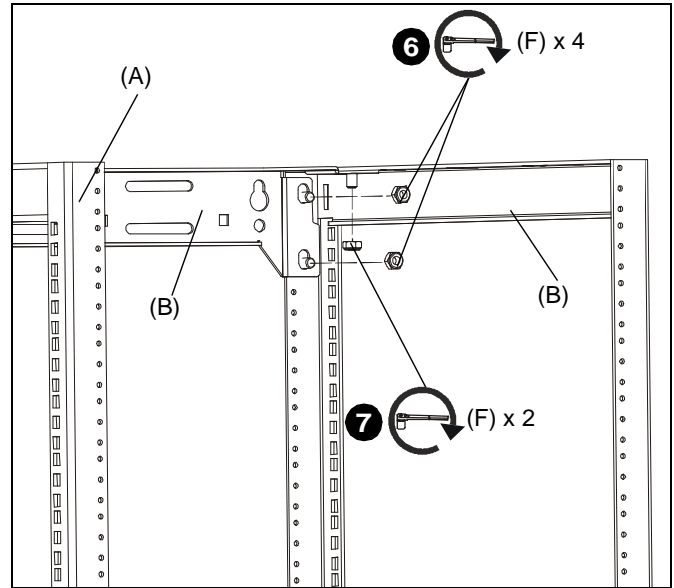


Figure 3

8. Use eight #10-32 x 3/4" Phillips machine screws (G) to secure two front panels (D) to frames (A and B). (See Figure 4)

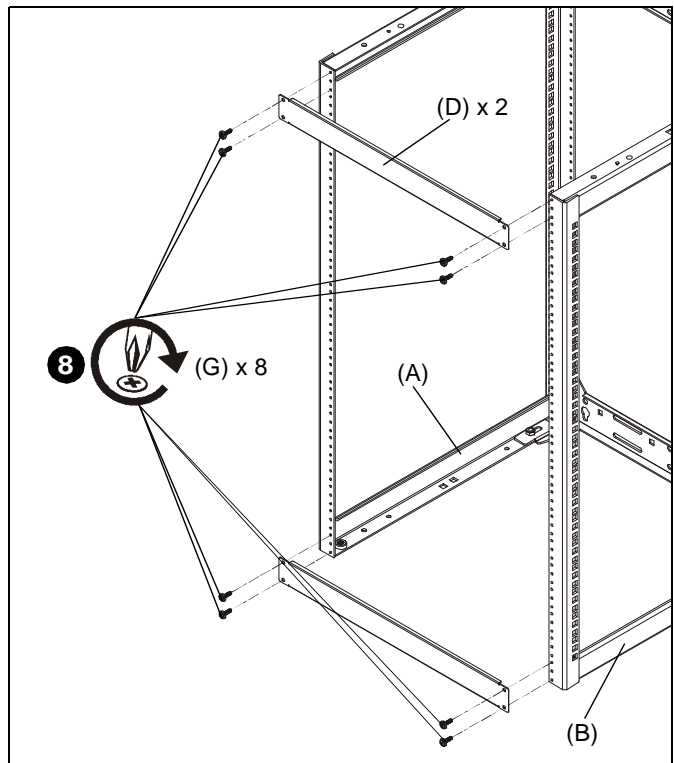


Figure 4

Install Feet (Optional)

1. Lay assembled frame on its back. (See Figure 5)
2. Thread four feet (E) into holes on bottom of frames. (See Figure 5)

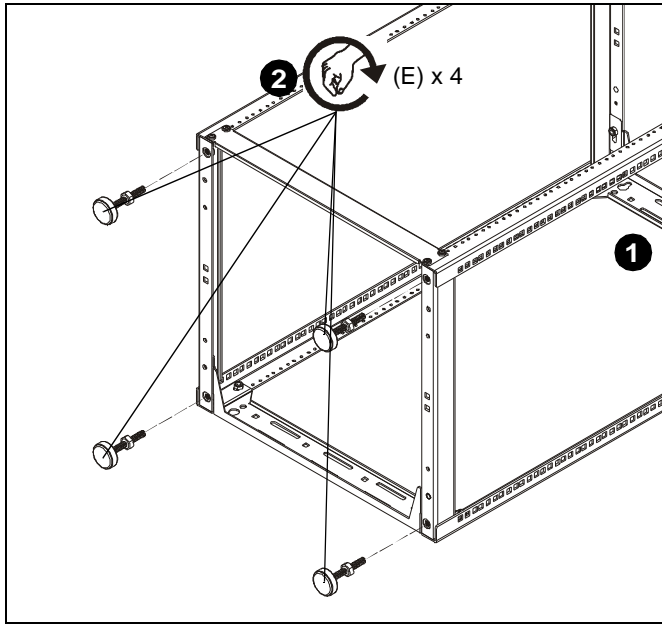


Figure 5

3. Use a flathead screwdriver to turn each screw until rack is completely level. (See Figure 6)

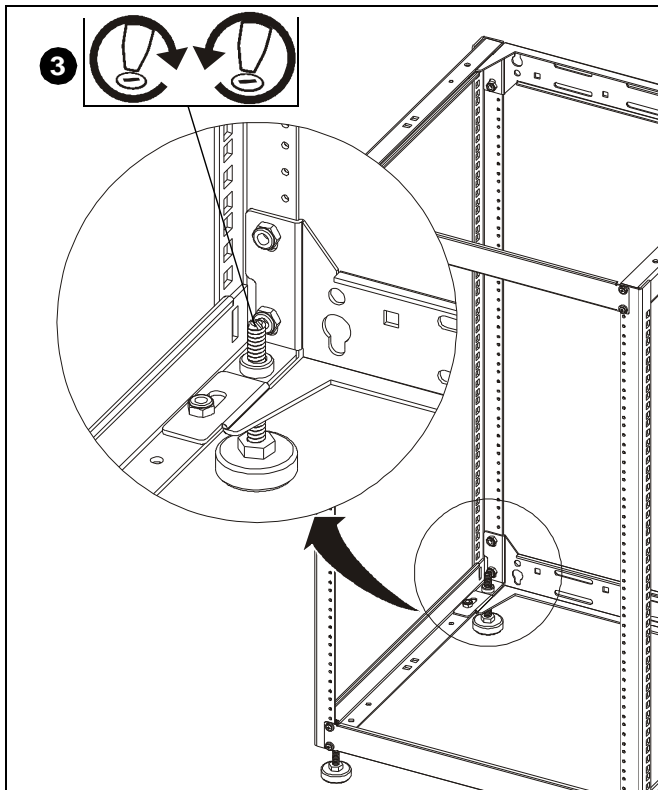


Figure 6

4. Tighten nuts on feet until they are flush with the bottom of the rack. (See Figure 7)

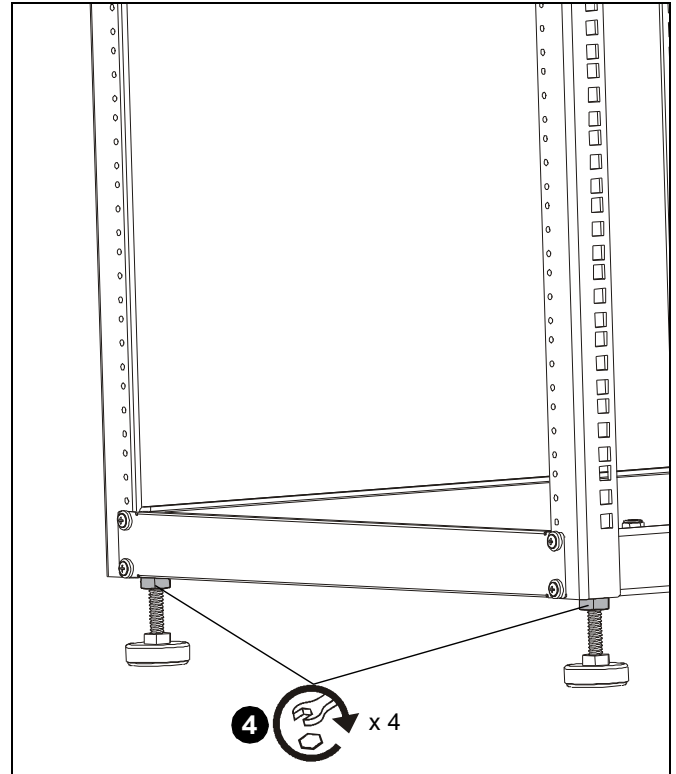


Figure 7

Stacking (Second Rack sold separately)

1. Place assembled second rack (without feet) onto first rack. (See Figure 8)

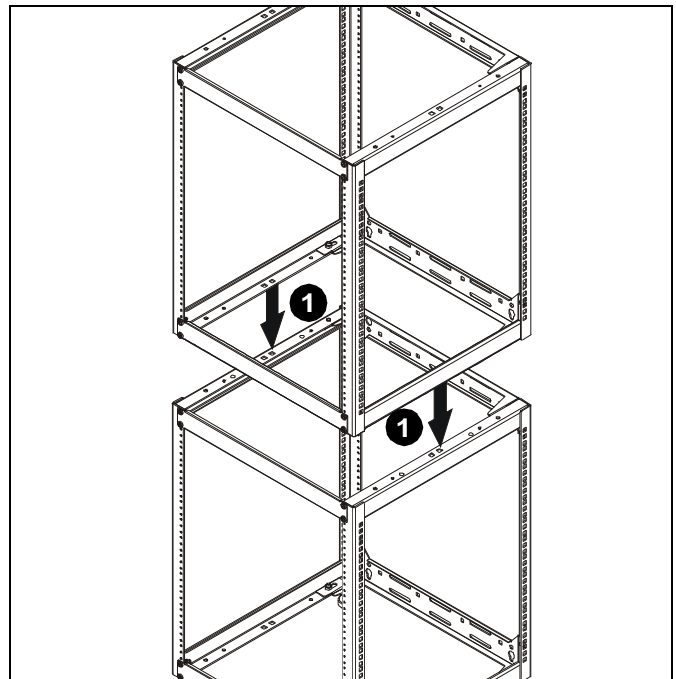


Figure 8

- Use four 1/4-20 x 3/8" Phillips screws (H) to secure second rack to first rack. (See Figure 9)

WARNING: Do NOT stack more than two racks on top of each other!

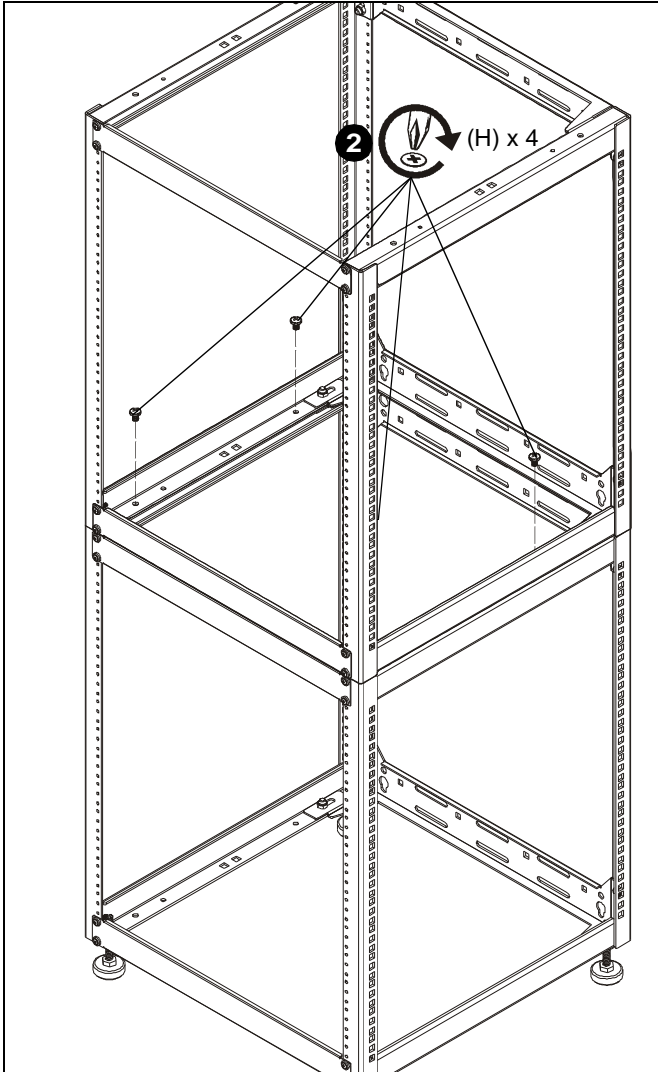


Figure 9

Mounting Single Rack to Wall - Wood Studs

NOTE: If installing to Concrete/Concrete Block, proceed to Mounting to Concrete/Concrete Block Section. If installing a Stacked Rack, proceed to Mounting Stacked Rack Sections.

- Use a stud finder to locate wood studs.
- Place assembled frame over studs and mark hole locations. (See Figure 10)

IMPORTANT ! : Use a level to make sure of a level mount.

- Drill four 7/32" (5.5mm) diameter holes to a depth of 3 1/2" (89mm) at marked locations. (See Figure 10)

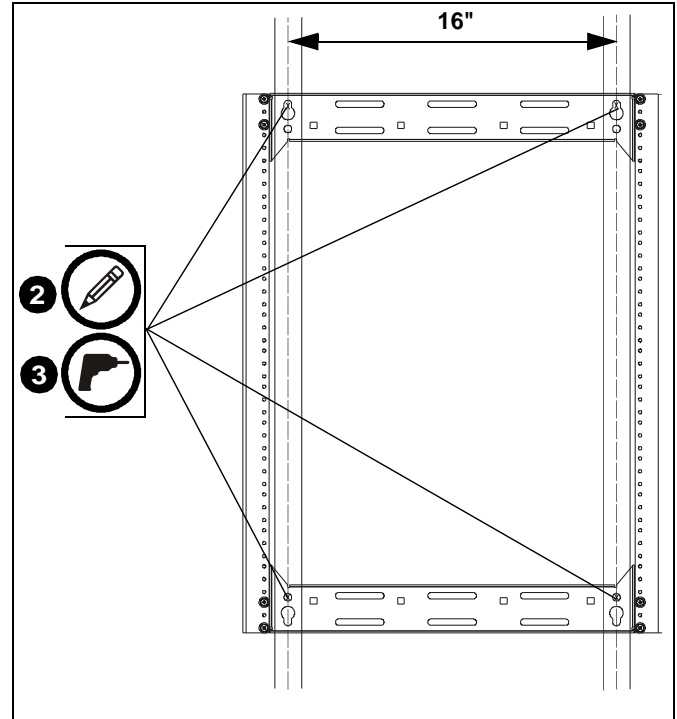


Figure 10

- Partially install two 5/16" x 3 1/2" lag bolts (M) into upper holes. (See Figure 11)
- Hang rack onto partially installed bolts. (See Figure 11)

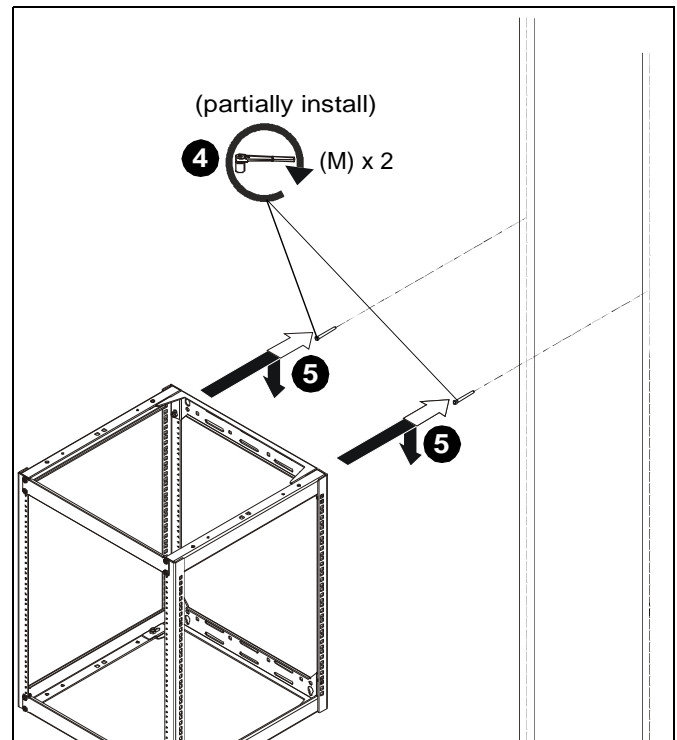


Figure 11

6. Slide two "U" washers (J) onto lag bolts (M). (See Figure 12)
7. Tighten two lag bolts (M) until "U" washers (J) are pulled firmly against the brace. (See Figure 12)

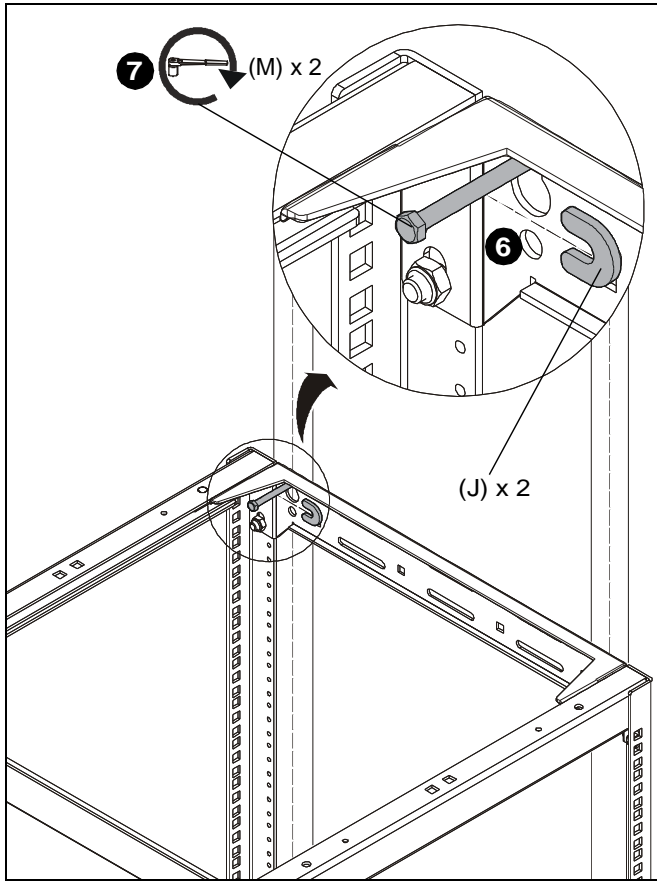


Figure 12

8. Use two 5/16" x 3 1/2" lag bolts (M) and two 3/4" spacers (K) to secure lower part of bracket to wall. (See Figure 13)

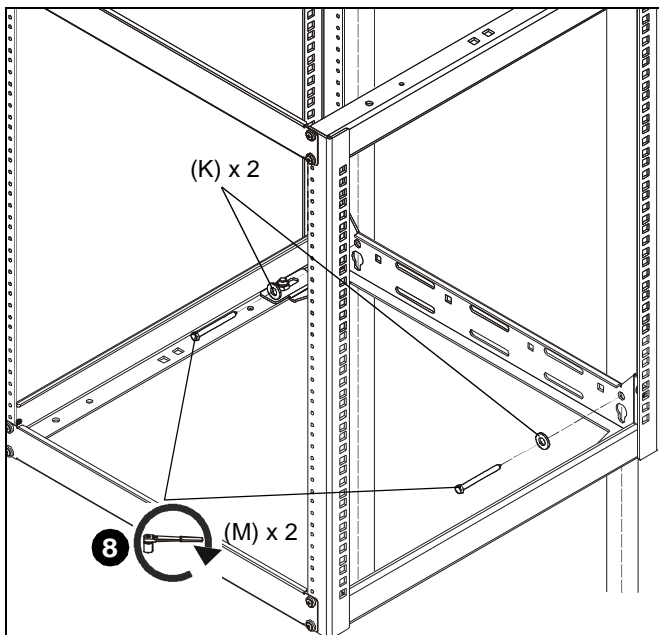


Figure 13

Mounting Single Rack to Wall - Concrete or Concrete Block

1. Determine mounting location.
2. Place assembled frame on wall and mark hole locations. (See Figure 14)

IMPORTANT ! : Use a level to make sure of a level mount.

3. Drill four 3/8" (10mm) diameter holes to a depth of 3 1/2" (89mm) at marked locations. (See Figure 14)

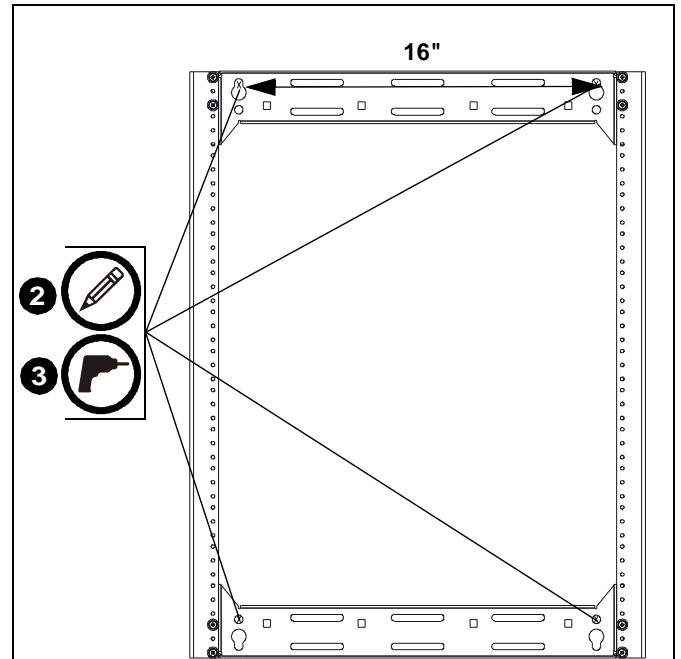


Figure 14

4. Install four U10 anchors (L) into drilled holes. (See Figure 15)

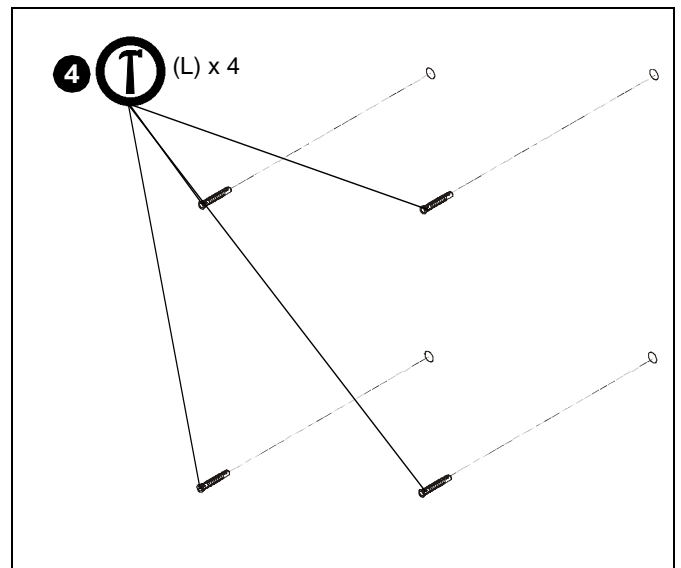


Figure 15

5. Partially install two 5/16" x 3 1/2" lag bolts (M) into upper U10 anchors (L). (See Figure 16)
6. Hang rack onto partially installed bolts. (See Figure 16)

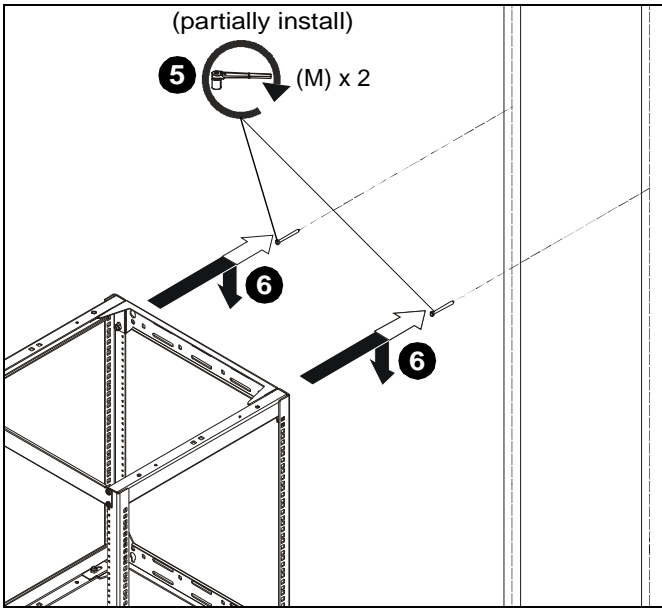


Figure 16

7. Slide two "U" washers (J) onto lag bolts (M). (See Figure 17)
8. Tighten two lag bolts (M) until "U" washers are pulled firmly against the brace. (See Figure 17)

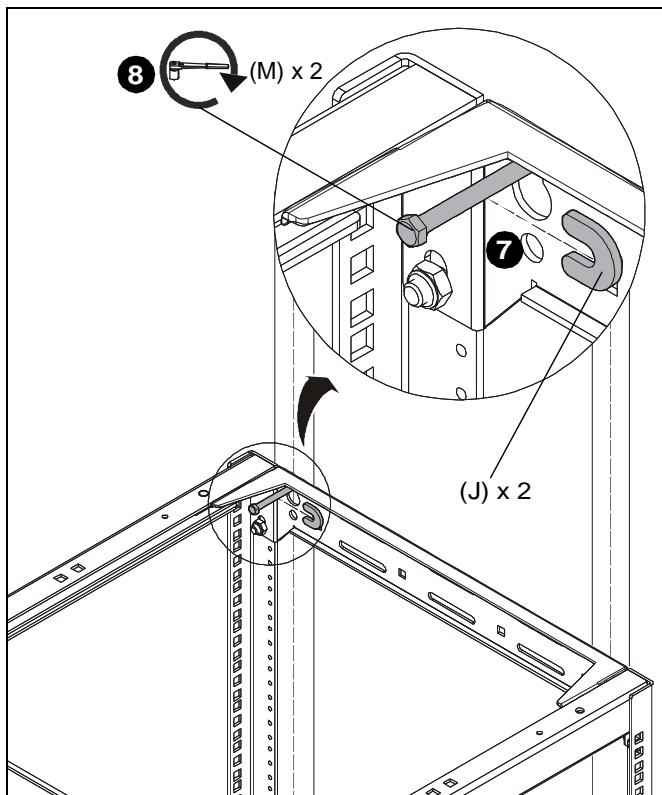


Figure 17

9. Use two 5/16" x 3 1/2" lag bolts (M) and two 3/4" spacers (K) to secure lower part of rack to wall. (See Figure 18)

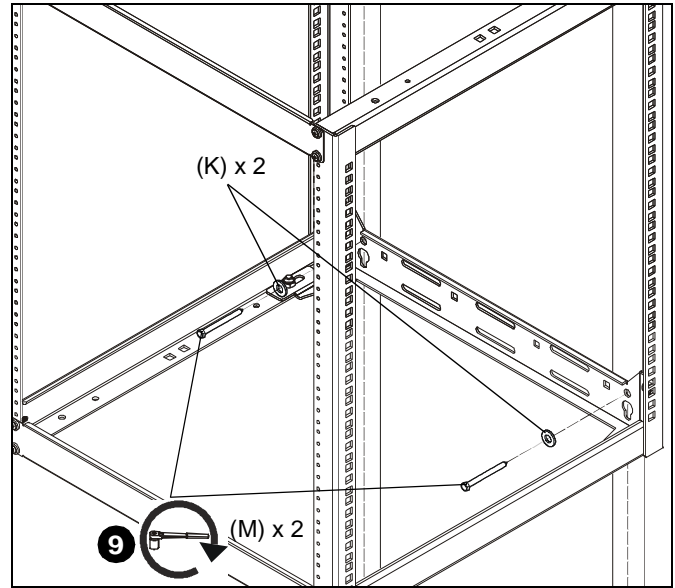


Figure 18

Mounting Stacked Racks to Wall- Wood Studs

1. Use a stud finder to locate wood studs.
2. Place assembled frame over studs and mark eight hole locations.

IMPORTANT ! : Use a level to make sure of a level mount.

3. Drill eight 7/32" (5.5mm) diameter holes to a depth of 3 1/2" (89mm) are marked locations.
4. Partially install two 5/16" x 3 1/2" lag bolts (M) into upper holes. (See Figure 19)
5. Hang rack onto bolts. (See Figure 19)

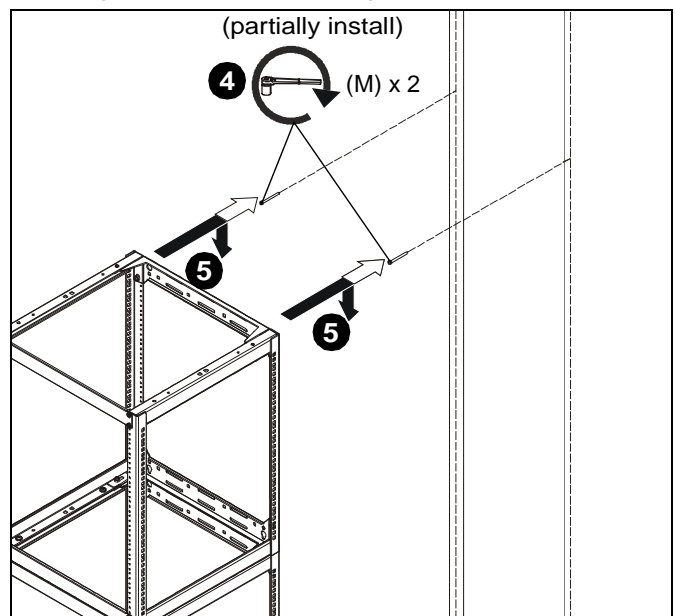


Figure 19

6. Slide two "U" washers (J) onto lag bolts (M). (See Figure 20)
7. Tighten two lag bolts (M) until "U" washers are pulled firmly against the brace. (See Figure 20)
8. Use two 5/16" x 3 1/2" lag bolts (M) and two 3/4" spacers (K) to secure lower part of rack to wall. (See Figure 20)
9. Repeat Steps 4 and 6-9 for lower rack.

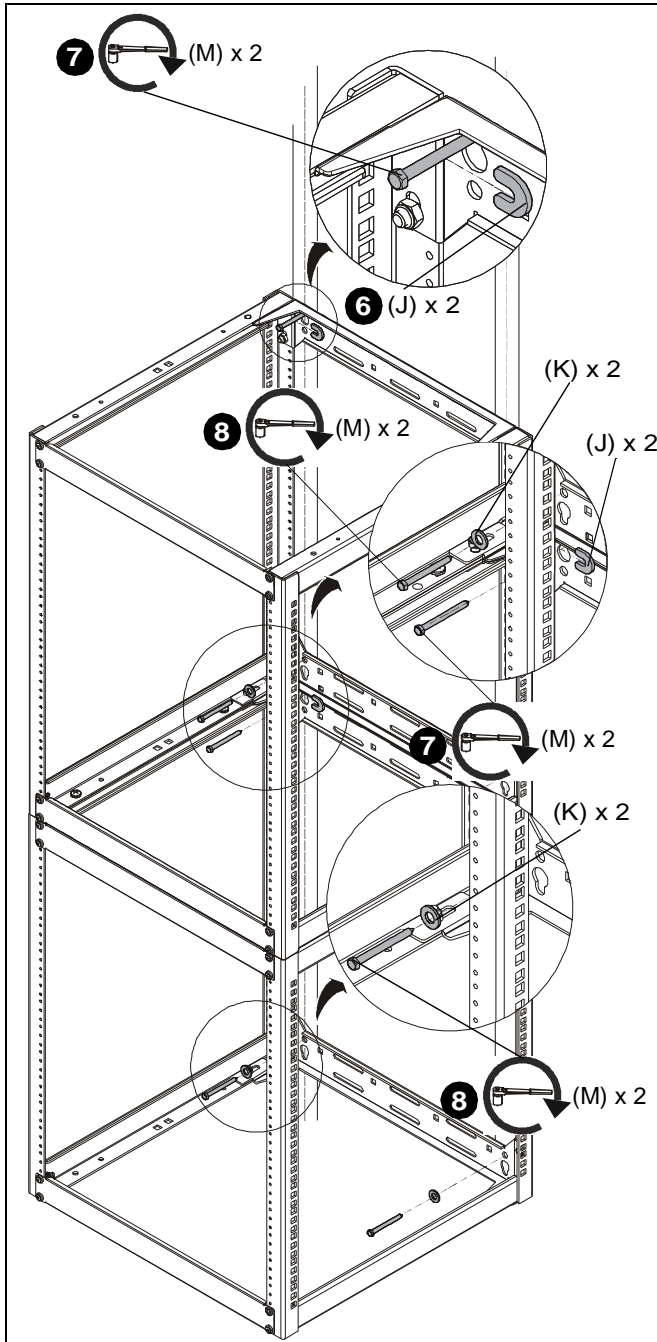


Figure 20

Mounting Stacked Racks to Wall - Concrete or Concrete Block

1. Determine mounting location and place assembled frame on wall and mark hole locations.

IMPORTANT ! : Use a level to make sure of a level mount.

2. Drill eight 3/8" (10mm) diameter holes to a depth of 3 1/2" (89mm) are marked locations.
3. Install eight U10 anchors (L) into drilled holes. (See Figure 21)

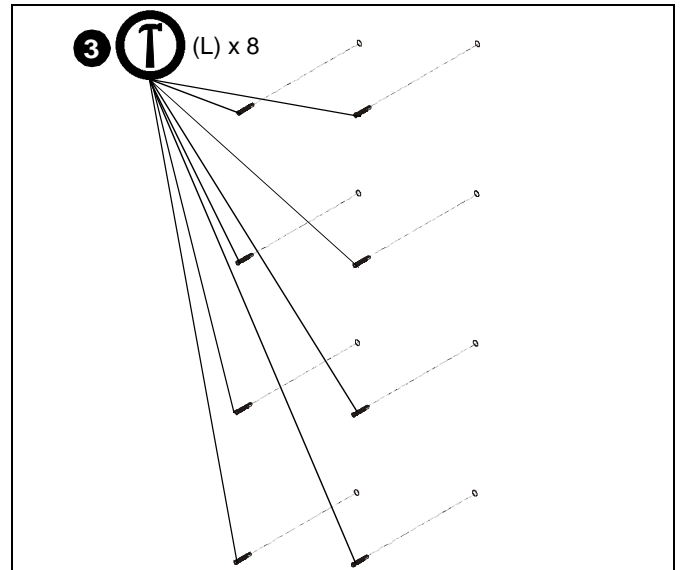


Figure 21

4. Partially install two 5/16" x 3 1/2" lag bolts (M) into upper holes. (See Figure 22)
5. Hang rack onto bolts. (See Figure 22)

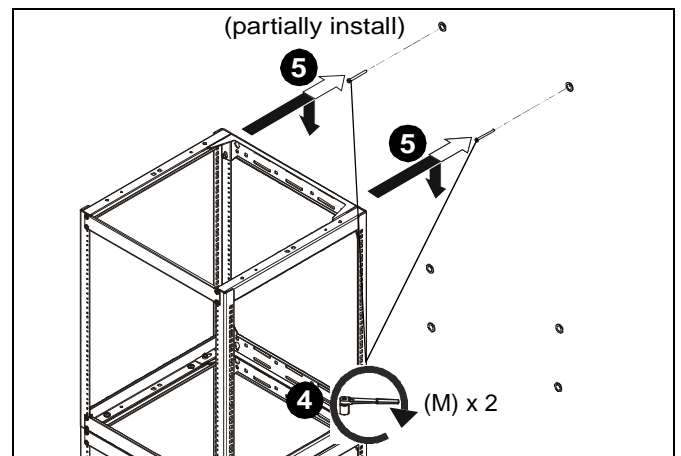


Figure 22

6. Slide two "U" washers (J) onto lag bolts (M). (See Figure 20)
7. Tighten two lag bolts (M) until "U" washers are pulled firmly against the brace. (See Figure 20)
8. Use two 5/16" x 3 1/2" lag bolts (M) and two 3/4" spacers (K) to secure lower part of rack to wall. (See Figure 20)
9. Repeat Steps 4 and 6-9 for lower rack.



Our Mounts. **Your Vision.**

Chief, a products division of
Milestone AV Technologies

8800-002707 Rev00
©2015 Milestone AV Technologies
www.chiefmfg.com
02/15

USA/International	A 6436 City West Parkway, Eden Prairie, MN 55344 P 800.582.6480 / 952.225.6000 F 877.894.6918 / 952.894.6918
Europe	A Franklinstraat 14, 6003 DK Weert, Netherlands P +31 (0) 495 580 852 F +31 (0) 495 580 845
Asia Pacific	A Office No. 918 on 9/F, Shatin Galleria 18-24 Shan Mei Street Fotan, Shatin, Hong Kong P 852 2145 4099 F 852 2145 4477

