

Stereo VideoMic Pro

Compact Stereo On-Camera Microphone

AUSTRALIA
107 Carnarvon st, Silverwater NSW 2128 Australia
Ph: +61 2 9648 5855 Fx: +61 2 9648 2455

USA
PO Box 91028, Long Beach CA 90809-1028
Ph: +1 562 364 7400 Fax: +1 888 412 4664

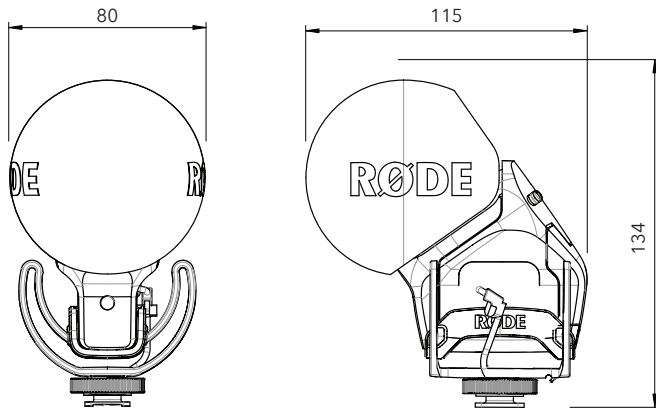


Features

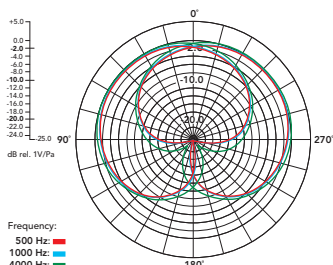
- Rycote® Lyre® shock mounting onboard
- Broadcast recording quality on-camera microphone
- All new matched pair 1/2" condenser capsules in XY stereo configuration
- Improved foam windscreen
- Ultra lightweight, compact form factor
- On mic power and EQ controls
- Two step High Pass Filter (flat, 75Hz)
- Three position level control (-10dB, 0, +20dB)
- 9V battery powered - over 100 hours use (alkaline)
- New Kevlar reinforced braided cable
- Billeted metal camera shoe mount with 3/8" thread for easy boompole mounting
- 10 year extended warranty when you register your microphone

Specifications

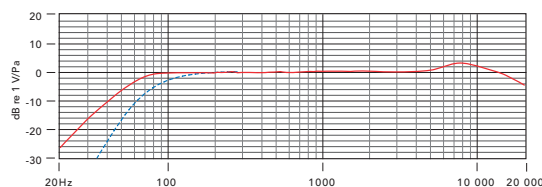
Acoustic Principle	Pressure Gradient
Polar Pattern	X-Y Cardioid
Frequency Range	40Hz ~ 20,000Hz (selectable HPF@75Hz)
Sensitivity	-38dB (12.6mV@94dB SPL) ±2dB re 1V/Pa @ 1kHz
Output Impedance	200Ω
Equivalent Noise	18dBA SPL (as per IEC651)
Maximum Output	+4.2dBu (@ 1% THD into 1kΩ)
Dynamic Range	102dB SPL
Maximum SPL	134dB (@ 1kHz, 1% THD into 1kΩ load)
Signal/Noise	76dBA SPL (A - weighted per IEC651)
Power Req.	9V alkaline battery
Dimensions	115mm × 80mm × 134mm (4.5" × 3.1" × 5.3")
Output Connection	3.5mm stereo mini-jack
Net Weight	116g (0.26lb)



Polar Pattern



Frequency Response



RØDE
MICROPHONES