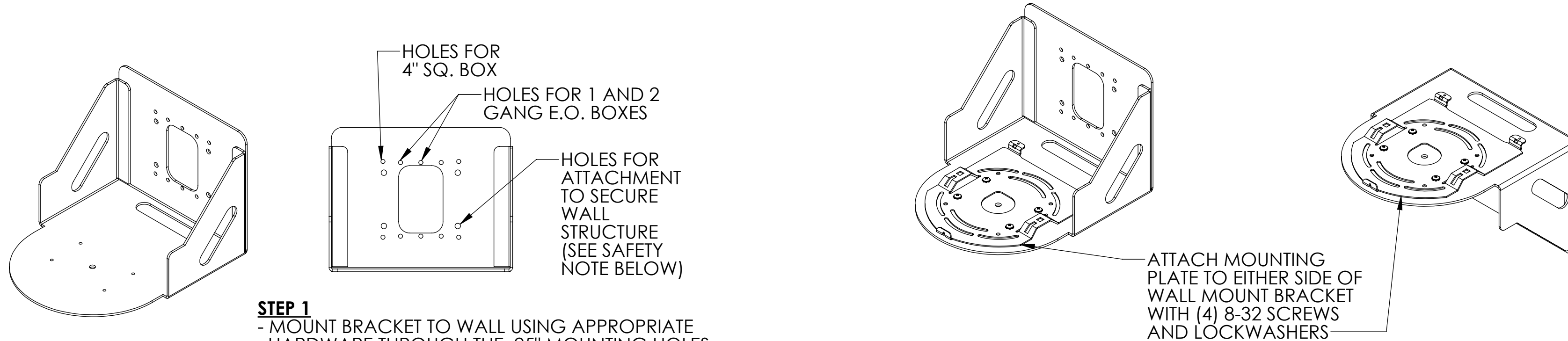


MODEL RMK-150 WALL MOUNT FOR DATAVIDEO HD/SD PTZ CAMERA PTC-150

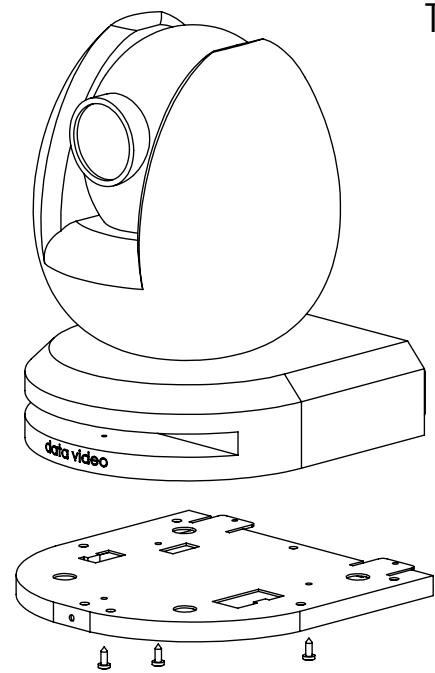


STEP 1

- MOUNT BRACKET TO WALL USING APPROPRIATE HARDWARE THROUGH THE .25" MOUNTING HOLES.
- ROUTE CABLES THROUGH WIRE MGMT PORTS.
- (MAKE CERTAIN MOUNTING METHOD IS SECURE AND FOLLOWS ACCEPTED NORMS FOR THIS APPLICATION. SEE NOTE BELOW).
- DO NOT USE EO BOX AS SOLE SUPPORT. WALL MOUNT BRACKET MUST BE SECURED WITH SUFFICIENT SIZE SCREWS THROUGH .25" DIAMETER MOUNTING HOLES.

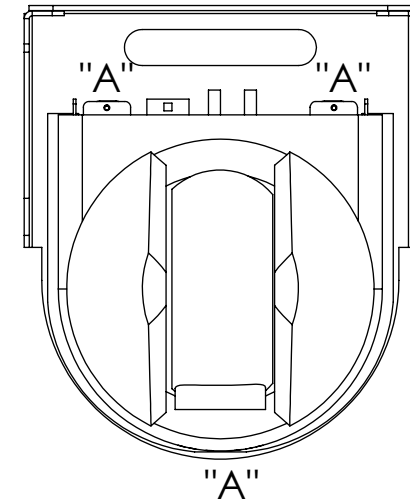
STEP 2

- ATTACH MOUNTING PLATE TO WALL BRACKET WITH (4) 8-32 X 3/8" SCREWS AND LOCKWASHERS PROVIDED THROUGH MOUNTING HOLES IN PLATE INTO TAPPED HOLES IN WALL BRACKET.
- NOTE: SECURE RETAINING WIRE (NOT SHOWN) UNDER ONE OF THE SCREWS & LOCKWASHER.



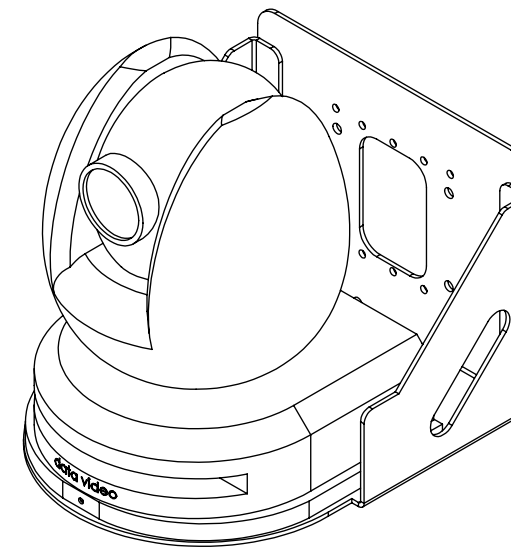
STEP 3

- SECURE CAMERA TO MOUNTING BASE WITH (3) 3M SCREWS PROVIDED WITH CAMERA
- NOTE: SECURE RETAINING WIRE (NOT SHOWN) UNDER ONE OF THE SCREWS



STEP 4

- SLIDE CAMERA WITH MOUNTING BASE IN POSITION OVER THE MOUNTING PLATE SLOTS.
- SECURE (3) PLACES USING SCREWS SHIPPED WITH CAMERA MARKED "A"



STEP 5

- FINISH INSTALLATION BY ATTACHING ANY REQUIRED CABLES, LINES OR ANY SECONDARY DEVICES AS REQUIRED PER MANUFACTURERS OR PROFESSIONAL INSTALLER'S INSTRUCTIONS.

SAFETY NOTE:

- Before beginning the installation, it is very important to examine the unit for damage, defects and correct hardware.
- The Installation instructions must be read and entirely understood prior to install.
- It must be determined that the mounting surface is capable of supporting the mount and equipment.
- The Professional Installer must determine the proper way to attach the WALL BRACKET MODEL XXXX
- The installation of the mount and equipment is dependent on proper/secure attachment and is the responsibility of the installer.
- Make sure wall will support 4 times the combined weight of Equipment and Wall Mount.-
- This mount should be attached to wood studs only. Under no circumstances should this product be mounted to metal studs, unless an installation professional deems they have been adequately reinforced and will support 4 times the combined weight of Equipment and the Wall Mount.
- Please use only the bolts supplied with the unit or bolts of the correct size, making sure the hardware used is tightened properly for a secure installation..
- The WALL BRACKET MODEL is only intended to be used with the equipment listed on the install sheet. It is not meant to be used with any other equipment.
- If at anytime, a question arises regarding this installation (or regarding the safety or integrity of the projected use) cease the installation and either obtain the advice of another qualified installer or contact FEC.

HARDWARE:

- (4) 8-32 X 3/8" LONG PHILLIPS PAN HEAD SCREW
- (4) # 8 LOCKWASHERS
- (4) 1/4" X 2" LONG HEX HEAD LAG SCREWS
- (4) 1/4" X 3" TOGGLE BOLT