



# SPECIFICATIONS SM260iV

## DESCRIPTION

A 2-way full range system in a vented stage monitor enclosure. Includes a 12-in woofer and a 2-in exit compression driver on a 60° x 45° constant directivity horn. Powering mode is switchable: passive (LF/HF crossover) or bi-amplified.

## APPLICATION

The SM260iV is engineered for maximum output and controlled coverage. Switch allows pasive or biamp operation. Both types of industry standard connectors are supported for flexible "daisy chaining" of multiple monitors. Six year warranty.

Applications include:

Concert Tours    Corporate Events  
 Large Theaters    Large Houses of Worship  
 Live Music Clubs

## PERFORMANCE

<b>Frequency Response (Hz)</b>	
±3 db	70 Hz to 18 kHz
-10 dB	58 Hz
<b>Axial Sensitivity (dB SPL, 1 Watt @ 1m)</b>	
Full Range	98
Bi-amped LF	98
Bi-amped HF	106
<b>Impedance (Ohms)</b>	
Full Range	8
Bi-amped LF	8
Bi-amped HF	10
<b>Power Handling (Watts, Continuous)</b>	
Full Range	500
Bi-amped LF	500
Bi-amped HF	200
<b>Recommended High-Pass Frequency</b>	
24 dB/Octave	50 Hz
<b>Calculated Maximum Output (dB SPL @ 1m)</b>	
Full Range Peak	131.0
Bi-amped LF Peak	131.0
Bi-amped HF Peak	135.0
Full Range Long Term	125.0
Bi-amped LF Long Term	125.0
Bi-amped HF Long Term	129.0
<b>Nominal Coverage Angle, -6 dB Points (degrees)</b>	
Horizontal	60
Vertical	45



## PHYSICAL

LF Subsystem	1x 12-in, vented	
HF Subsystem	2-in exit compression driver on horn	
Configuration	2-way, full range floor monitor	
Powering	Switchable: full range (passive LF/HF crossover) or bi-amplified	
Controls (switches, knobs)	Powering mode switch	
Cabinet Type (shape)	Irregular pentagon (floor monitor)	
Enclosure Materials	Baltic birch plywood	
Finish	Black catalyzed polyurethane	
Connectors	1 each male and female AP4 2x Neutrik NL4 Speakon	
Grille	Vinyl coated perforated steel, Foam Backed	
<b>Dimensions</b>	<b>Inches</b>	<b>Millimeters</b>
Height (face)	22.5	572
Width	14.9	376
Depth (top)	14.8	375
Depth (bottom)	4.0	104
Minimum Stage Height	17.9	456
Floor Angle(s)	50 Degrees	
<b>Weights</b>	<b>Pounds</b>	<b>Kilograms</b>
Net Weight	62	28.2
Shipping Weight	70	31.9

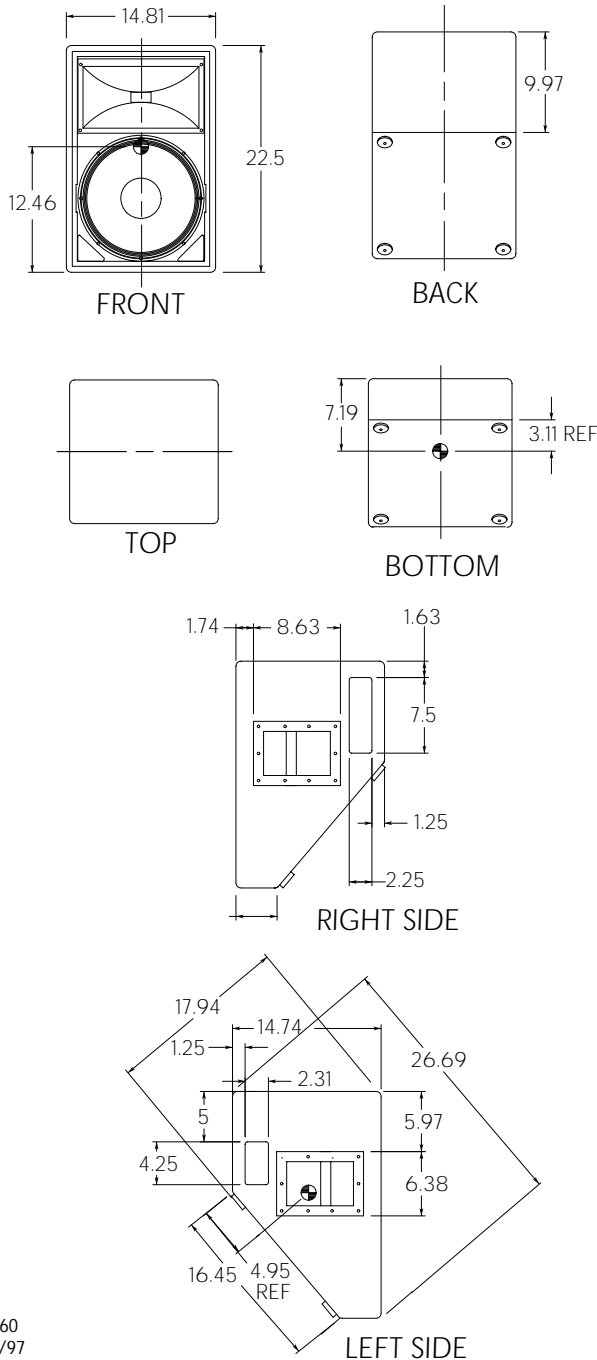




# SPECIFICATIONS SM260iV

## DIMENSIONAL DRAWING

● INDICATES CENTER OF BALANCE.  
 CABINET IS SYMMETRICAL ABOUT CENTER LINES.  
 ALL DIMENSIONS IN INCHES UNLESS OTHERWISE NOTED.



## A & E SPECIFICATIONS

The two-way full range loudspeaker systems shall incorporate a 12-in LF transducers and a 2-in exit compression driver HF transducer.

The LF driver shall be mounted in a vented enclosure tuned for optimum low frequency response. The HF driver shall be loaded on a constant directivity horn with a nominal coverage pattern of 60° (h) x 45° (v). An internal passive filter network shall provide fourth order acoustical crossover and system equalization.

System frequency response shall vary no more than  $\pm 3$  dB from 70 Hz to 18 kHz measured on axis. In passive mode, the loudspeaker shall produce a Sound Pressure Level (SPL) of 98 dB SPL on axis at 1 meter with a power input of 1 Watt, and shall be capable of producing a peak output of 131 SPL on axis at 1 meter. It shall handle 500 Watts of amplifier power (continuous) and shall have a nominal impedance of 8 Ohms.

In bi-amped mode, the low frequency section shall meet all passive mode performance criteria. In addition, the high frequency section in bi-amped mode shall produce a Sound Pressure Level (SPL) of 106 dB SPL on axis at 1 meter with a power input of 1 Watt, and shall be capable of producing a peak output of 135 SPL on axis at 1 meter. The high frequency section in bi-amped mode shall handle 200 Watts of amplifier power (continuous) and shall have a nominal impedance of 10 Ohms.

The loudspeaker enclosure shall be irregularly trapezoidal in shape with its baffle angled up 40°. It shall be constructed of multi-ply, void-free cross-grain-laminated Baltic birch plywood and shall employ extensive internal bracing. It shall be finished in black catalyzed polyurethane. Input connectors shall be dual Neutrik NL4 Speakon plus one each male and female AP4. The system shall include a switch allowing it to be operated in bi-amp or passive powering mode. The front of the loudspeaker shall be covered with a vinyl coated perforated steel grille backed with open cell foam to protect against dust.

The two-way full range loudspeaker shall be the EAW model SM260iV.

510160  
3/17/97

Manufacturing tolerances are +/- 0.13 and +/- 1°

