

L2 Series

lecterns

budget-friendly lectern solution that delivers support and security for AV systems, complete with a patent-pending rack, power, thermal and cable management, and connectivity

features:

- Each L2 Lectern includes:
 - Patent Pending 12RU removable rack
 - Power distribution where it's needed with surge protection inside the cabinet and a surface unit with 3 AC outlets and 2 USB outlets
 - Thermostatically controlled fan
 - 6' HDMI cable that supports 4k resolutions
 - Cable management including 5 total grommets and a pre-installed lacer bar
- Sleek Sota style with a durable melamine finish for an attractive mobile solution to house and transport AV equipment
- Simplified selection of easy-to-order, pre-configured models available in 3 popular colors
- Flip up shelf for extra surface space on certain models
- Slide out shelf houses a keyboard without taking up valuable workspace
- Locking, heavy duty 4" casters for a safe, mobile solution
- Ships from stock



Lectern in Grained Dark Cherry finish with flip up shelf

specifications:

EIA Compliant 19" AV Lectern shall be Middle Atlantic Products model # L2LDC2CCM__ (without flip up shelf, refer to chart) or L2LDC2FCM__ (with flip up shelf, refer to chart). L2 Series Overall dimensions shall be 43.75" H x 30" W" x 25.92" D. L2 Series AV Lectern shall include patent pending removable rack with 12 rackspace front and 10 rackspace rear 11-gauge steel rackrail tapped with 10-32 mounting holes in universal EIA spacing, black e-coat finish and marked rackspaces. L2 Series AV Lectern shall ship fully assembled. L2 Series AV Lectern shall have a total weight capacity of 150 lbs, with a maximum of 75 lbs. mounted to the rack and 20 lbs. on flip shelf, for models with flip shelf. L2 Series AV Lectern shall have one 70 CFM thermostatically controlled fan that is powered on at 87°F and turn off at 85°F. L2 Series AV Lectern shall have a slide-out keyboard shelf, 26.53" W x 8.05" D. L2 Series AV Lectern flip shelf shall have a useable area of 21" W x 24.5 D. L2 Series AV Lectern shall include a top mounted 15 Amp power distribution with 3 15A outlets and 2 USB 2.1A outlets with a 6' cord. L2 Series AV Lectern shall include in bay 15 Amp, 8 outlet surge-protected power strip with a 10' cord. L2 Series AV Lectern shall be in Sota style with a Melamine finish in _____ (Knotted Maple, Grained Ebony Ash, Grained Dark Cherry, refer to chart). L2 Series AV Lectern shall include 4" casters, 2 locking. L2 Series AV Lectern shall be GREENGUARD Gold Certified. L2 Series AV Lectern shall comply with the requirements of RoHS EU Directive 2011/65/EU. L2 Series AV Lectern shall be manufactured by an ISO 9001 and ISO 14001 registered company. L2 Series AV Lectern shall be warranted to be free from defects in material or workmanship under normal use and conditions for a period of 7 years, fan shall be warranted for a period of three years.

Customizable specification clips available at middleatlantic.com

EIA/TIA COMPLIANT



PRODUCT CERTIFIED FOR
LOW CHEMICAL EMISSIONS
UL.COM/GG
UL 2818

options:

- Flip shelf shall be model # L2-FLIPSHELF-__ (refer to chart)

what **great systems** are built on.™

A brand of **legrand**

Middle Atlantic Products

middleatlantic.com | middleatlantic.ca

96-01245 / rev - / 5-12-17

L2 Series Lecterns

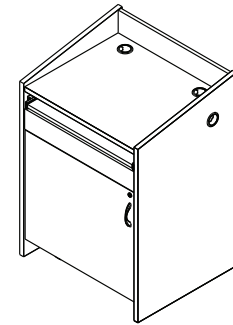
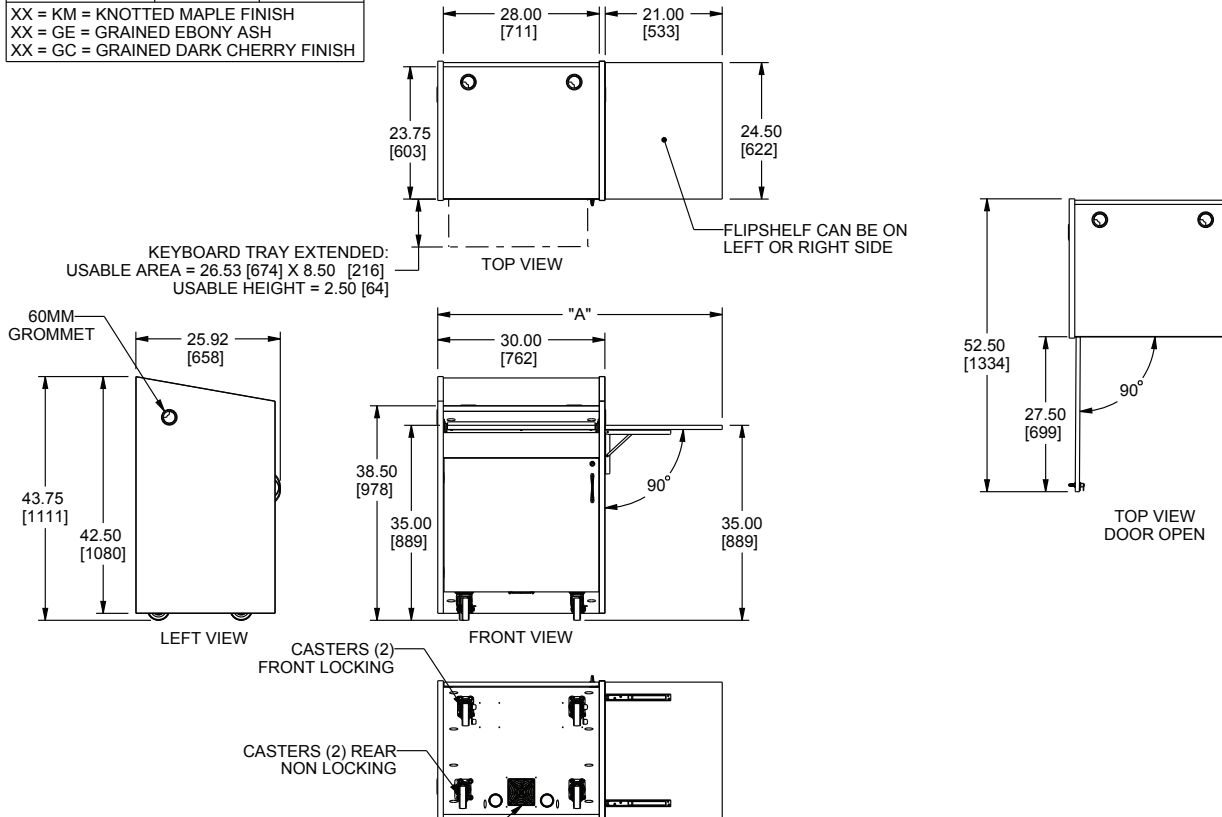
basic dimensions

PRODUCT # LECTERN	FLIPSHELF INCLUDED	RACK: WEIGHT CAPACITY [LBS/KG]	TOTAL: WEIGHT CAPACITY [LBS/KG]	FAN QTY	CFM	DBA	FLIPSHELF QTY	FLIPSHELF UP "A"	FLIPSHELF DOWN "A"
L2LDC2CCMXX	NO	75 / 34	150 / 68	1	70	29	0	N/A	N/A
L2LDC2FCMXX	YES	75 / 34	150 / 68	1	70	29	1	51.00 [1295]	32.00 [813]

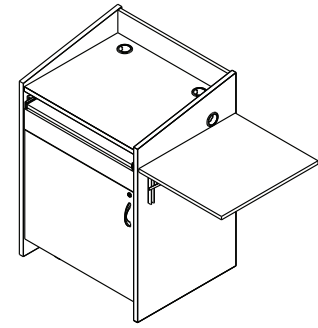
XX = KM = KNOTTED MAPLE FINISH
 XX = GE = GRAINED EBONY ASH
 XX = GC = GRAINED DARK CHERRY FINISH

PRODUCT # FLIPSHELF	WEIGHT CAPACITY [LBS/KG]	MAXIMUM QTY PER LECTERN
L2-FLIPSHELF-XX	20 / 9	1

XX = KM = KNOTTED MAPLE FINISH
 XX = GE = GRAINED EBONY ASH
 XX = GC = GRAINED DARK CHERRY FINISH



L2LDC2CCMXX



L2LDC2FCMXX

NOTE:
 DIMENSIONS SHOWN IN FORMAT IN [MM]

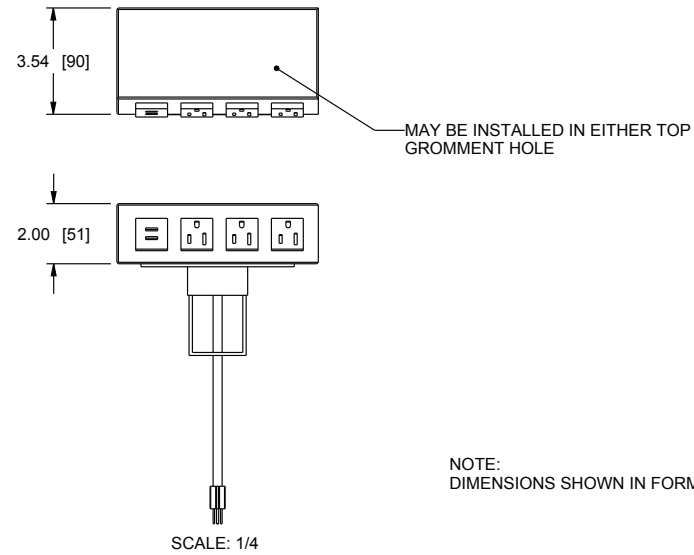
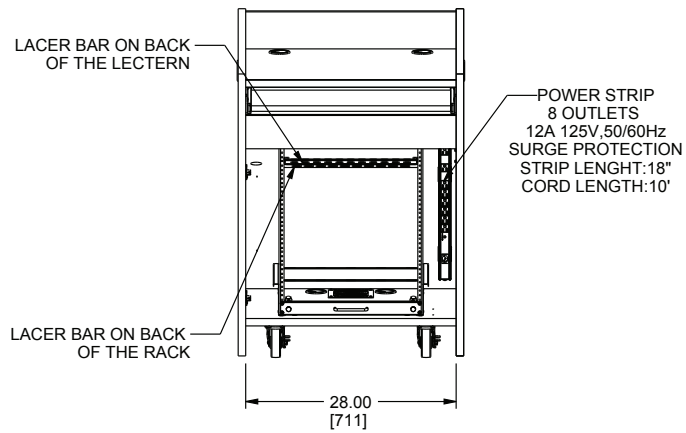
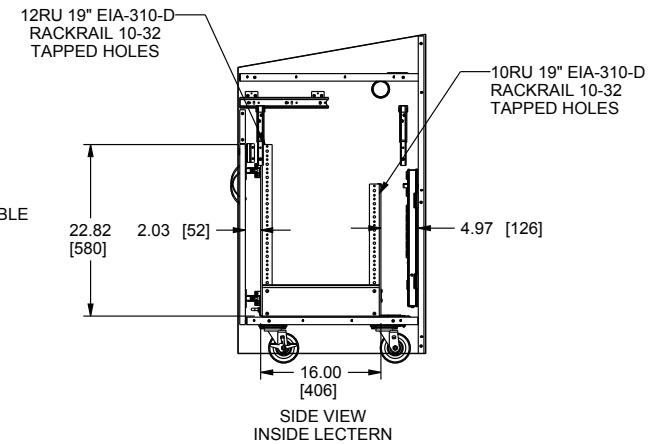
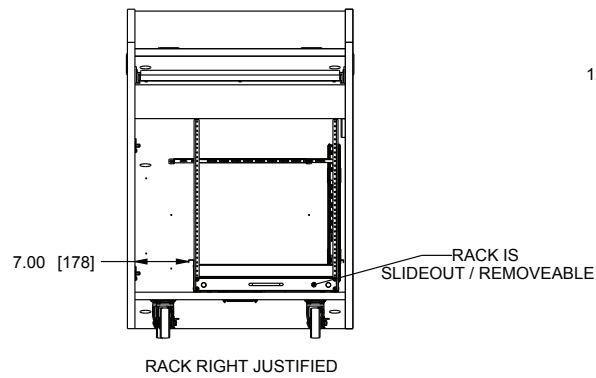
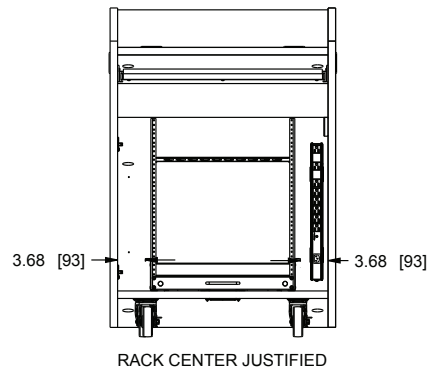
what great systems are built on.™

A brand of **legrand**

MA
 Middle Atlantic Products
 middleatlantic.com | middleatlantic.ca

L2 Series Lecterns

basic dimensions



NOTE:
DIMENSIONS SHOWN IN FORMAT IN [MM]