

VDM Series

vision display mounts

safe, reliable display mounting with the professional features that enable efficient installation

features:

- Fixed, Motion and Tilt mounts available
- Models available accommodates VESA patterns from 75x75 to 800x600mm
- Post-install leveling mechanism enables quick micro-adjustment of horizontal plane of display
- Safety locking features keep the display securely mounted
- Open wall plate design maximizes accessibility to connections and cable pass-through behind the display
- Select standard profile mounts include a Proximity Mounting Plate for small component accessories
- Low profile mounts feature a kick stand for additional space between the mount and wall for ease of installation and servicing, and are available in tilt and fixed form factors
- Certified to UL 2442 and C22.2 No. 60065



VDM-600-M



VDM-600-F



VDM-600-T-LP

specifications:

Vision Display Mounts wall mount monitor mounts shall be Middle Atlantic Products model # VDM-__-__. Vision Display Mounts shall have a recommended display size of __" to __", VESA size range of __mm to __mm and a weight capacity of __lbs. (refer to chart). Selected Vision Display mounts shall include a 9" x 12" small component accessory plate (available separately as model # PRX-MP-9X12), refer to chart. Selected models shall have __° tilt or __° roll tilt adjustment, refer to drawings. Vision Display Mounts shall mount __" from wall, refer to drawings. Full Motion Mounts, Model # VDM-__-M when fully extended shall be __" from wall, refer to drawings. Vision Display Mounts shall include a post install leveling mechanism to enable micro adjustment of horizontal plane of display after installing. Vision Display Mounts shall be constructed of phosphate pre-treated steel with a black powdercoat finish. Vision Display Mounts shall meet the EU RoHS Directive 2011/65/EU. Vision Display Mounts shall be manufactured by an ISO 9001 registered company. Vision Display Mounts shall be warranted to be free from defects in materials and workmanship under normal use and conditions for the lifetime of the monitor mount. Vision Display Mounts shall be UL listed to UL standard 2442 in US and CAN/CSA-C22.2 No. 60065 in Canada.

Customizable specification clips available at middleatlantic.com



what **great systems** are built on.™

A brand of **legrand**



Middle Atlantic Products

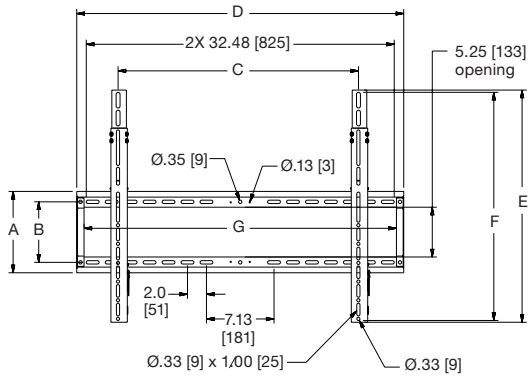
middleatlantic.com | middleatlantic.ca

96-01242 / rev c / 9-30-16

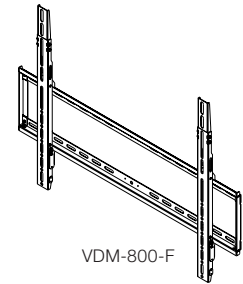
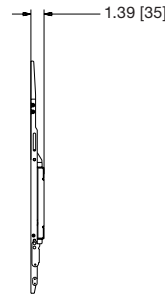
VDM Series

fixed mounts

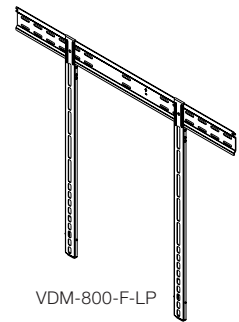
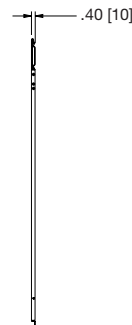
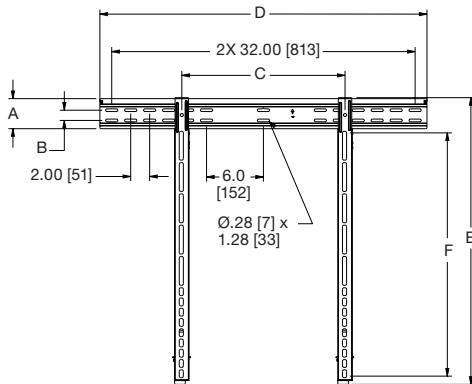
all dimensions in inches unless otherwise noted [all dimensions in brackets are in millimeters]



fixed



fixed, low profile



Part #	Capacity Lbs/Kg	Vesa Size Range	Recommended Display Size	A	B	C Range	D	E	F	G	PRX-MP-9X12 Included (small comp. mt)
VDM-400-F	150 / 68.0	75x75mm - 400x400mm	22"-46"	8.58 [218]	6.38 [162]	1.70 [42] - 17.20 [436]	19.30 [490]	16.56 [420]	15.85 [402]	17.76 [451]	yes
VDM-600-F	180 / 81.7	75x75mm - 600x500mm	40"-70"	8.58 [218]	6.38 [162]	1.70 [42] - 25.50 [648]	27.40 [696]	20.47 [520]	19.76 [502]	25.87 [657]	yes
VDM-800-F	200 / 90.7	75x75mm - 800x600mm	46"-90"	8.58 [218]	6.38 [162]	1.70 [42] - 32.60 [828]	34.50 [876]	24.49 [622]	23.69 [602]	32.95 [837]	yes
VDM-400-F-LP	80 / 36.3	75x75mm - 400x400mm	22"-46"	3.17 [81]	1.08 [28]	1.42 [36] - 15.75 [400]	17.76 [451]	20.40 [519]	15.82 [402]	-	no
VDM-600-F-LP	100 / 45.4	75x75mm - 600x400mm	40"-70"	3.17 [81]	1.08 [28]	1.42 [36] - 23.70 [602]	25.67 [652]	20.40 [519]	15.83 [402]	-	no
VDM-800-F-LP	150 / 68.0	75x75mm - 800x600mm	46"-90"	3.17 [81]	1.08 [28]	1.42 [36] - 32.50 [826]	34.50 [876]	30.24 [768]	25.82 [655]	-	no

what **great systems** are built on.™

A brand of **legrand**

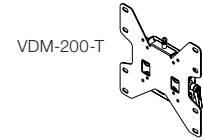
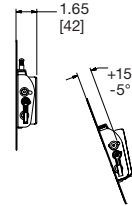
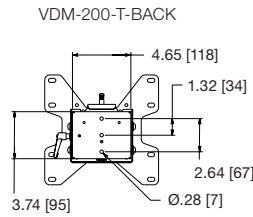
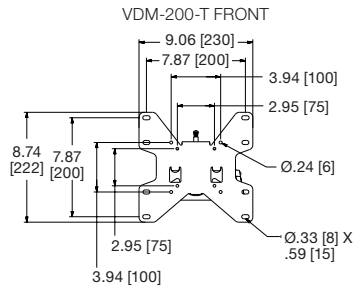
Middle Atlantic Products
middleatlantic.com | middleatlantic.ca

VDM Series

tilt mounts

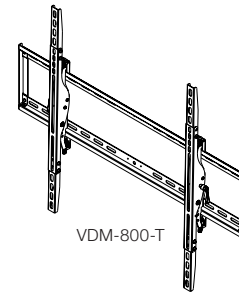
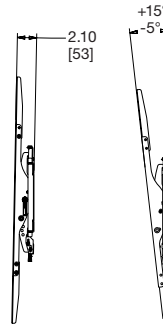
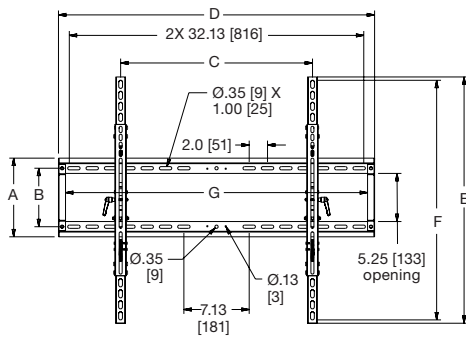
all dimensions in inches unless otherwise noted [all dimensions in brackets are in millimeters]

tilt, VDM-200-T

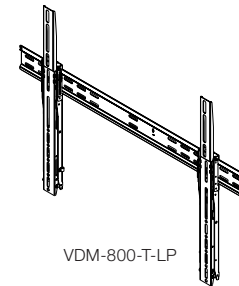
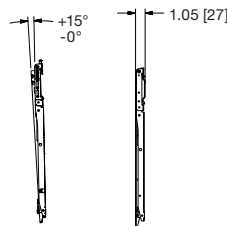
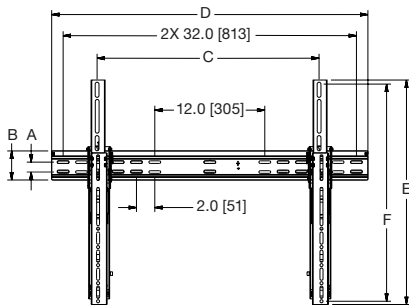


Part #	Capacity Lbs/Kg	Vesa Size Range	Recommended Display Size	PRX-MP-9X12 Included (small comp. mt)
VDM-200-T	80 / 36.3	75x75mm - 200x200mm	13"-37"	no

tilt



tilt, low profile



Part #	Capacity Lbs/Kg	Vesa Size Range	Recommended Display Size	A	B	C Range	D	E	F	G	PRX-MP-9X12 Included (small comp. mt)
VDM-400-T	150 / 68.0	75x75mm - 400x400mm	22"-46"	8.58 [218]	6.38 [162]	1.25 [32] - 17.80 [452]	19.30 [490]	16.56 [420]	15.85 [402]	17.76 [451]	yes
VDM-600-T	180 / 81.7	75x75mm - 600x500mm	40"-70"	8.58 [218]	6.38 [162]	1.25 [32] - 26.00 [660]	27.40 [696]	20.57 [523]	19.76 [502]	25.87 [657]	yes
VDM-800-T	200 / 90.7	75x75mm - 800x600mm	46"-90"	8.58 [218]	6.38 [162]	1.25 [32] - 33.00 [838]	34.50 [876]	25.76 [654]	24.78 [629]	32.95 [837]	yes
VDM-400-T-LP	80 / 36.3	75x75mm - 400x400mm	22"-46"	1.08 [28]	3.17 [81]	2.30 [59] - 15.75 [400]	17.76 [451]	17.84 [453]	15.83 [402]	-	no
VDM-600-T-LP	100 / 45.4	75x75mm - 600x400mm	40"-70"	1.08 [28]	3.17 [81]	2.30 [59] - 23.70 [602]	25.67 [652]	17.84 [453]	15.83 [402]	-	no
VDM-800-T-LP	150 / 68.0	75x75mm - 800x600mm	46"-90"	1.08 [28]	3.17 [81]	2.30 [59] - 32.28 [820]	34.50 [876]	24.49 [622]	23.70 [602]	-	no

what great systems are built on.™

A brand of **legrand**



Middle Atlantic Products

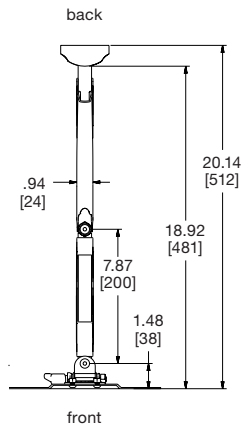
middleatlantic.com | middleatlantic.ca

VDM Series

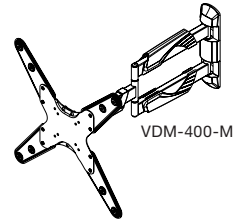
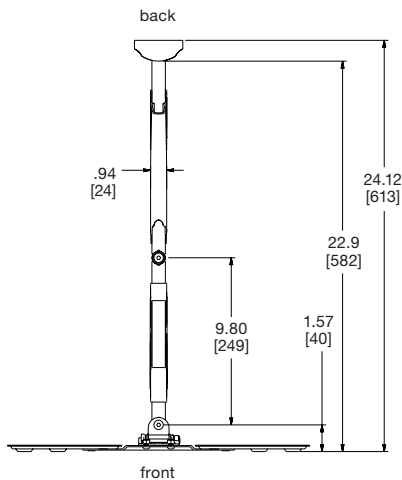
motion mounts

all dimensions in inches unless otherwise noted [all dimensions in brackets are in millimeters]

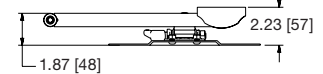
VDM-200-M open



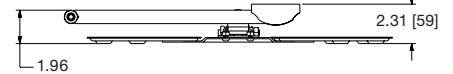
VDM-400-M open



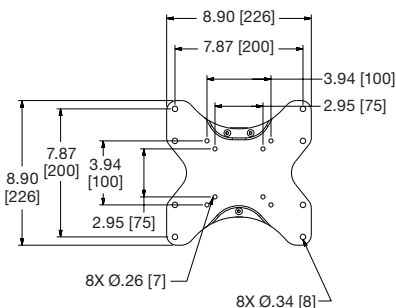
VDM-200-M closed



VDM-400-M closed

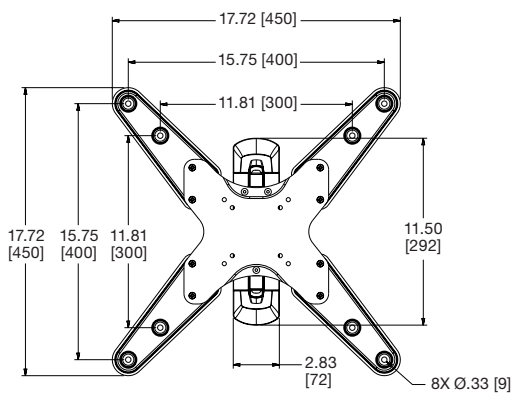


VDM-200-M front view

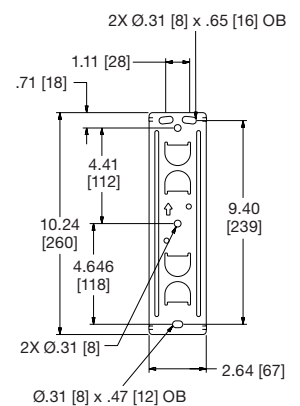


VDM-400-M front view

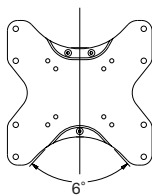
(VDM-200-M is used as base plate for VDM-400-M)



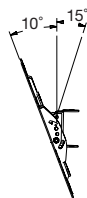
wall bracket hole pattern



roll tilt adjustment



tilt adjustment



Part #	Capacity Lbs/Kg	Vesa Size Range	Recommended Display Size	PRX-MP-9X12 Included (small comp. mt)
VDM-200-M	50 / 22.7	75x75mm - 200mmx200mm	13"-37"	no
VDM-400-M	50 / 22.7	75x75mm - 400mmx400mm	22"-46"	yes

what **great systems** are built on.™

A brand of **legrand**

MA

Middle Atlantic Products

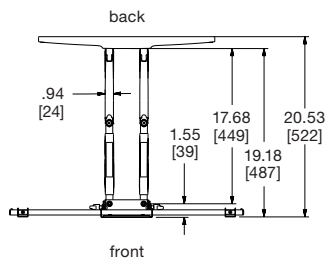
middleatlantic.com | middleatlantic.ca

VDM Series

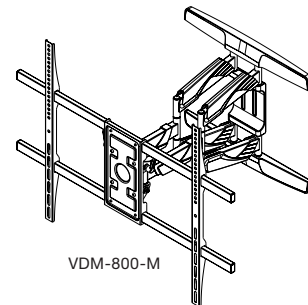
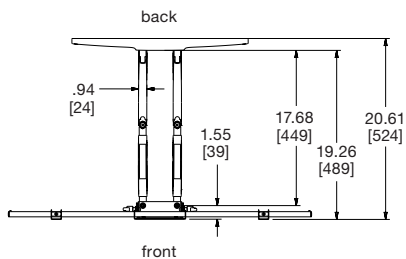
motion mounts cont.

all dimensions in inches unless otherwise noted [all dimensions in brackets are in millimeters]

VDM-600-M open

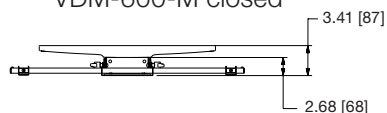


VDM-800-M open

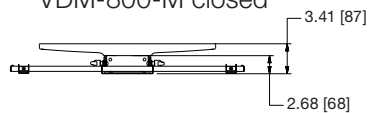


VDM-800-M

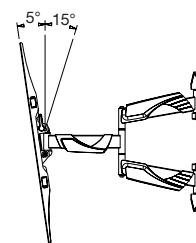
VDM-600-M closed



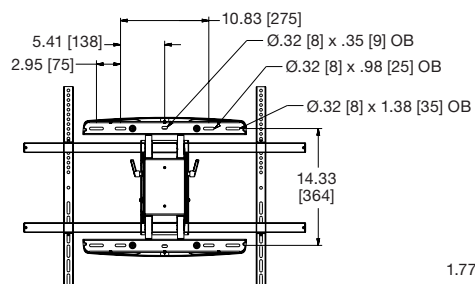
VDM-800-M closed



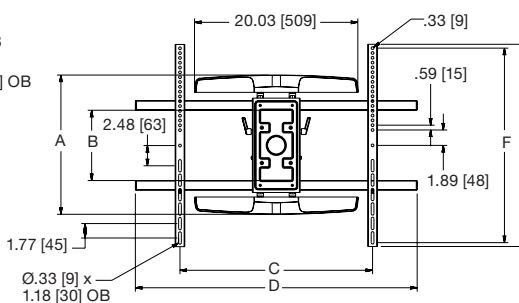
tilt adjustment



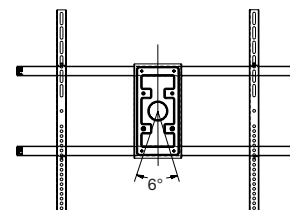
wall bracket hole pattern



front view



roll tilt adjustment



Part #	Capacity Lbs/Kg	Vesa Size Range	Recommended Display Size	A	B	C Range	D	E	F	PRX-MP-9X12 Included (small comp. mt)
VDM-600-M	100 / 45.4	200x200mm - 600x400mm	40"-70"	17.08 [434]	8.62 [219]	7.87 [200] - 24.80 [630]	26.69 [678]	17.13 [435]	16.18 [411]	yes
VDM-800-M	150 / 68.0	200x200mm - 800x600mm	46"-90"	17.08 [434]	8.62 [219]	7.87 [200] - 32.68 [830]	34.56 [878]	24.80 [630]	23.86 [606]	yes

what **great systems** are built on.™

A brand of **legrand**



Middle Atlantic Products

middleatlantic.com | middleatlantic.ca