

QRx218S
Dual 18" Subwoofer
Loudspeaker System



Key Features:

- **Compact, high-output dual 18-inch sub with concert-proven EVX-180B woofers**
- **Available in black and by special order in white or with L-track rigging**
- **Rear-mounted tilt-back pocket wheels allow one person to move the system (not available on rigging version)**
- **EV comfort-lift handles**
- **Comes with metal socket and 34-inch pole for elevating two-way system (not available on rigging version)**
- **13-ply birch plywood enclosure finished in Futura™**



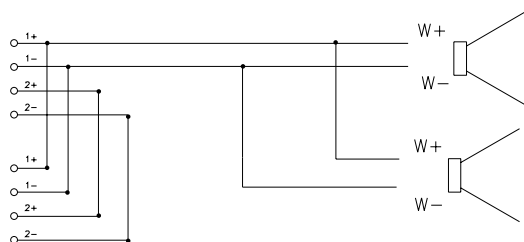
General Description:

The QRx-218S is a dedicated subwoofer system that features the excellent low-frequency capabilities of two powerful EVX-180B 18-inch drivers with 4-inch voice coils. In the QRx-218S, these drivers are front-mounted in a compact enclosure that is tuned to 36 Hz and delivers solid bass fundamentals. The 1,200-watt continuous, 4,800-watt peak power capacity of the QRx-218S easily provides 133 dB SPL continuous, 139 dB peak output capability at 1 meter. The QRx-218S enclosure has EV's recessed comfort-lift handles on the top and the bottom of the enclosure so the box can be lifted easily. On the back of the standard versions of the enclosure are two sealed pocket wheels at the bottom and two handles at the top of the system so it can be tilted back and moved comfortably by one person. On the rigging versions of the QRx-218S, there are two L-tracks on the top and bottom of the enclosure to allow the system to be hung horizontally or vertically. The standard versions of the QRx-218S are also equipped with a metal 1-3/8-inch mounting socket and are shipped with a 34-inch pole to allow elevation of full-range speakers above the sub. The QRx-218S enclosure is built of 13-ply, void-free, grain-oriented birch plywood that is coated with Futura, a sprayed on polyurethane finish that is very rugged and weather resistant. The drivers are protected from damage by a 16-gauge powder-coated steel grille with fabric backing. The enclosure is available in black or white finishes, with or without the rigging hardware. When paired with a powerful, high-quality amplifier such as EV's P1201 Modular Precision Series or the P3000 Precision Series units, the QRx-218S can augment the performance of even the finest sound systems with high levels of extended bass response.

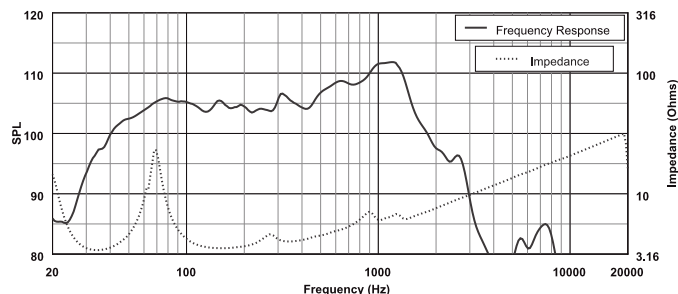
Technical Specifications:

System Configuration:	Subwoofer (requires active electronic filtering)
Freq. Response (-10 dB):	31 Hz - 250 Hz
Recommended High-Pass Frequency:	35 Hz, 12 dB/octave minimum
Axial Sensitivity, SPL:	102 dB (1 watt@1m)
Max Calculated SPL:	139 dB (1 watt@1m)
Long-Term Power Handling:	1,200 watts
Short-Term Power Handling:	4,800 watts
Transducers:	(2) EVX180B Cast Frame 18-inch Woofer, 4" Voice Coil
Recommended Crossover Frequency Range:	80 - 120 Hz, 24 dB/octave
Nominal impedance :	4 ohms
Enclosure Material:	13-Ply Birch Plywood
Grille:	Powder-Coated Steel, Fabric Backed
Recommended Controller:	EV Dx38 or AC-One
Input connectors:	(2) Neutrik Speakon NL4's
Dim (H x W x D):	39.98" x 22.05" x 23.77" (1015mm x 560mm x 603mm)
Net Weight (each):	150 lbs (68 kg)
Shipping Weight:	160 lbs (73 kg)

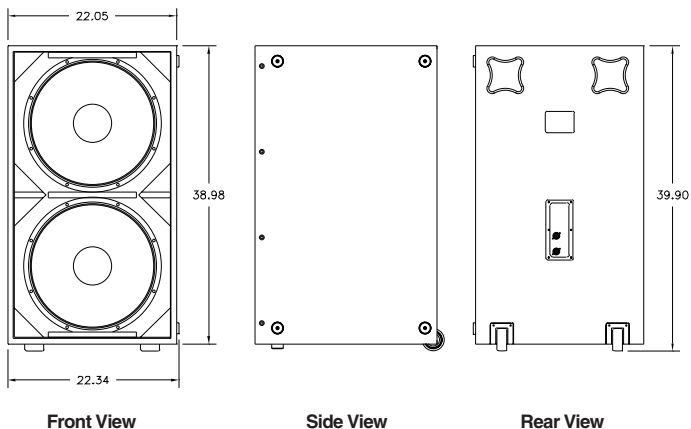
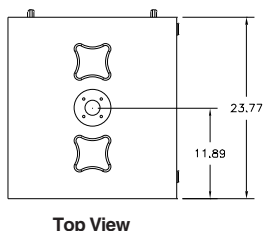
Block Diagram:



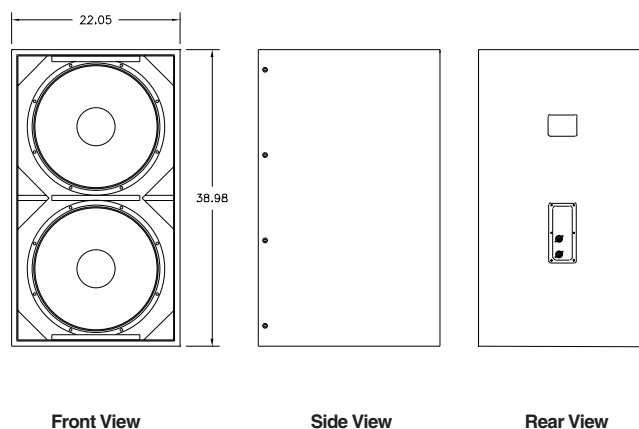
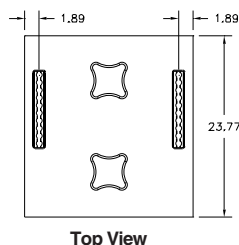
Frequency Response:



Dimension Drawings (Standard Model):



Dimension Drawings (Rigging Model):



Performance Match:

- EV P1202 Modular Precision Amplifier
- M-218S plug-in controller module
- EV P3000 Precision Series Amplifier
- Dx38 Digital sound system controller
- AC-One analog sound system controller

Included Accessories:

- 34-in. Mounting Pole (Not available on Rigging Model)
- (2) Ankra Single-Stud Fittings (Available only on Rigging Model)

QRx218S Part Numbers:

- 301117-001 QRx-218S, black Futura finish
- 301117-002 QRx-218S, white Futura finish
- 301144-001 QRx-218S with rigging, black Futura finish
- 301144-002 QRx-218S with rigging, white Futura finish



WARNING: Suspending any object is potentially dangerous and should only be attempted by individuals who have a thorough knowledge of the techniques and regulations of rigging objects overhead. Electro-Voice® strongly recommends that QRx speakers be suspended taking into account all current national, federal, state and local regulations. It is the responsibility of the installer to ensure that QRx speakers are safely installed in accordance with all such regulations. If QRx speakers are suspended, Electro-Voice® strongly recommends that the system be inspected at least once a year. If any sign of weakness or damage is detected, remedial action should be taken immediately.

EV Electro-Voice®

12000 Portland Avenue South, Burnsville, MN 55337
Phone: 952/884-4051, Fax: 952/884-0043

www.electrovoice.com

© Telex Communications, Inc. 10/2002

Part Number 38109-905 Rev C

U.S.A. and Canada only. For customer orders, contact Customer Service at:

800/392-3497 Fax: 800/955-6831

Europe, Africa, and Middle East only. For customer orders, contact Customer Service at:

+ 49 9421-706 0 Fax: + 49 9421-706 265

Other International locations. For customer orders, contact Customer Service at:

+ 1 952 884-4051 Fax: + 1 952 736-4212

For warranty repair or service information, contact the Service Repair department at:

800/685-2606

For technical assistance, contact Technical Support at: 866/78AUDIO

Specifications subject to change without notice.