

Sx500+ 400-Watt Two-Way Speaker System

- Ring-Mode Decoupling (RMD™) Technology for increased intelligibility
- Durable structural-foam enclosure with integral handles and stand mount
- DL15Sx 15-inch woofer and DH2T compression driver for great sound and reliable performance
- Asymmetric constant-directivity 75° x 60° high-frequency horn
- Asymmetric horn-loaded woofer section
- 400-watt long-term rms power capacity
- Molded-in attachment points for secure suspension with optional brackets
- Dual Neutrik Speakon® high-current connectors
- Biampable, passive network with PRO™ circuit for high-frequency driver protection

Description

The Electro-Voice Sx500+ is a 400-watt, 15-inch two-way, biampable, high-efficiency, constant-directivity speaker system featuring a vented-horn woofer section. Through extensive use of computer-aided design and modeling, Electro-Voice engineers have developed a state-of-the-art professional loudspeaker system.

The high-frequency section of the Sx500+ utilizes a molded-in 75° x 60° constant-directivity horn which is aimed downward by 10°. This unique pattern contributes to high intelligibility and aims the speaker's output where it is most useful. Vocals sound natural yet "cut through" in reverberant, noisy rooms. In addition, the coverage pattern is unusually uniform over its range of operation. The horn's unique, VariPath™ throat geometry helps direct driver output to the corners of the room, to points of coverage not described in the usual specifications of horizontal and vertical coverage angles, and to parts of the audience that typically do not receive the strongest coverage.

One of the many other unique features of the Sx500+ is the cabinet. Constructed of high-impact polypropylene structural foam, it provides a stiff and extremely durable enclosure.

The cabinet includes integral carrying handles and a stand socket for mounting on 1 ³/₈-inch stands such as the Electro-Voice 100BK. Rubber feet that are attached to the bottom of the cabinet and mating sockets that are molded into the top provide a means of stacking systems. The shaped plastic cabinet, in combination with the uniform, 75° x 60° directivity characteristics, make the Sx500+ ideal for use alone or in arrays.

The Sx500+'s high-frequency horn is driven by the DH2T one-inch throat, wide-bandwidth, titanium-diaphragm driver. This driver uses a unique, convex-drive Time Path™ phasing plug structure (U.S. Patent #4,525,604) for smooth and extended high-frequency performance. The voice coil is coupled to the diaphragm with EV's exclusive Resonant Drive™ Technology. This increases and smooths the high-frequency response and reduces the amount of internal equalization required for flat frequency response, which extends to 16,000 Hz.

A self-resetting high-frequency protection circuit, EV's PRO™ circuit, is included with the Sx500+ to prevent against accidental overdrive and improve system reliability. If the input power to the high-frequency driver exceeds the nominal rating, the protection circuit is activated and reduces the power

delivered to the driver by 6 dB. The system will remain in this mode of operation until the input power is reduced to a safe level.

The bass section of the Sx500+ is a vented-horn design using Thiele-Small parameters for solid performance to 43 Hz. This horn provides directivity control for the woofer section and matches the asymmetry of the high-frequency section. The 381-mm (15-in.) DL15Sx woofer used is a specially designed unit featuring an extended-length voice coil and high-temperature construction materials. The system combines professional-quality components, arranged in an unusually durable Thiele-Small-aligned vented enclosure. The result is clear and articulate, high-quality sound.

Ring-Mode Decoupling (RMD™) Technology

The Sx500+ controls both acoustical and mechanical ring modes to provide dramatically increased intelligibility, using techniques learned from the development of the Electro-Voice X-Array™ concert speakers. There is much less coloration of the sound from resonating sources, leaving only the intended sound to be heard by the audience. The most obvious implementation of RMD™ on the Sx500+ is the foam attached to the back of

Sx500+ 400-Watt Two-Way Speaker System

the woofer grille.

Speaker Protection

The Sx500+ like all other vented systems experiences rapidly increasing cone excursion below the box-tuning frequency, while the acoustic output decreases rapidly. To ensure a long woofer life even when used at high power levels, it is recommended that some form of electronics be used to control unnecessary woofer cone excursion.

Graphic equalizers and active crossovers are two methods that can be used to prevent low-frequency signal below band-pass from going to the loudspeaker. When using an active crossover, a high-pass filter with a cut-off frequency of 32- to 45-Hz will provide the necessary protection. The filter should have a slope of at least 12 dB per octave. Such subpass band filters are found in many crossovers and equalizers manufactured by Electro-Voice, as well as other commercially available equipment.

Enclosure Construction

The Sx500+ enclosure is constructed of very durable structural foam that is hard to dent, scratch or break. The structural foam enclosure allows for the high- and low-frequency horns, the stand mount and the suspension points to be molded into the enclosure. It also allows for three handles to be integrated into the enclosure.

Frequency Response

The combination of a 15-inch woofer, wide-bandwidth high-frequency driver and an equalized crossover results in the wide and smooth overall response shown in Figure 1. This response was measured at 3.05 meters (10 feet), using a 4-volt swept sine-wave input in an anechoic chamber using the internal passive crossover. No external equalization was used. Figure 1 has been averaged and corrected for 1 watt at 1 meter.

Connections and Biamping

The Sx500+ is equipped with two parallel Neutrik Speakon® NL4MP connectors. In the full-range mode, as supplied by the factory, pins 1+ and 1- are the inputs to the system. Another system can be connected in parallel

by using the other connector. Care must be taken not to abuse the amplifier by connecting impedances which are too low.

The user may put the system in biamp mode by removing the input panel and moving a connector from the full-range mode to biamp mode, as noted on the crossover. In biamp mode, 1+, 1- are the LF inputs and 2+, 2- are the HF inputs.

Constant-Directivity Speaker System

The crossover frequency and speaker-component geometries have been selected so that the directional characteristics of the woofer and constant-directivity high-frequency horn match at the crossover frequency to create a special system type — the constant-directivity system. At higher frequencies, the horizontal coverage pattern remains constant and the vertical pattern smoothly transitions to a 60° angle above 5,000 Hz. Response within the 75° x 60° rated coverage angle is uniform, which means dependable audience coverage without “hot spots” or dead zones at certain frequencies. The 75° x 60° dispersion characteristic also helps avoid early reflections from nearby floor or side-wall surfaces which could degrade performance. The controlled directivity of the high- and low-frequency transducers also eliminates response irregularities caused by diffraction off nearby enclosure edges and, in combination with an essentially flat on-axis frequency response, produces a total acoustic power output that is uniform with frequency.

Directivity

A unique feature of the Sx500+ is the constant-directivity dispersion provided by the 75° x 60° horn. The polar response of the system at selected one-third-octave bandwidths is shown in Figure 2. These polar responses were measured in an anechoic environment at 6.1 meters (20 feet) using one-third-octave pink-noise inputs. The frequencies selected are fully representative of the polar response of the system. Beamwidth of the system utilizing the complete one-third-octave polar data is shown in Figure 3. Directivity factor, R , and directivity index, D_i , are plotted in Figure 4.

Power-Handling Capacity

The Sx500+ is shipped in full-range mode using an internal crossover. In biamp mode, the long-term average power-handling capacity is as follows:

Low Frequency: 400 watts

High Frequency: 60 watts

Electro-Voice components and systems are manufactured to exacting standards, ensuring they will hold up, not only through the most rigorous of power tests, but also through continued use in arduous, real-life conditions. The EIA Loudspeaker Power Rating Full Range (ANSI/EIA RS-426-A 1980) uses a noise spectrum which mimics typical music and tests the thermal and mechanical capabilities of the components. Electro-Voice will support relevant additional standards as and when they become available. Extreme, in-house power tests, which push the performance boundaries of the woofers, are also performed and passed to ensure years of trouble-free service.

Specifically, the Sx500+ passes ANSI/EIA RS-426-A 1980 with the following values:

$$R = 5.76 \text{ ohms } (1.15 \times (R_E + 1.86))$$

$$R_E = \text{woofer DCR}$$

$$1.86 = \text{horn-load impedance correction}$$

$$P_{E(\text{MAX})} = 400 \text{ watts}$$

$$\text{Test voltage} = 48.00 \text{ volts rms,}$$

$$96.00 \text{ volts peak (+6 dB)}$$

The “peak” power-handling capacity of a woofer is determined by the peak test-voltage amount. For the Sx500+, a 96.00-volt peak test-voltage translates into 1,600-watts short-term peak power-handling capacity. This is the equivalent of four times the “average” power-handling capacity, and is a peak that can be sustained for only a few milliseconds. However, this sort of short duration peak is very typical in speech and music. Provided the amplifier can reproduce the signal accurately without clipping, the woofer will also perform accurately and reliably, even at these levels.

Amplifier Power Recommendations

As noted in the Power-Handling Capacity section above, the Sx500+ has a random-noise power

Sx500 + 400-Watt Two-Way Speaker System

capacity of 400-watts long term (1,600- watts peak) per ANSI/EIA RS-426-A 1980. The following guidelines will help relate this to an appropriate power amplifier output rating.

1. To use the Sx500+ to full capacity, skilled experts in sound-system installation and operation will obtain the best results if the power amplifier is 2.0 to 4.0 times the long-term average noise- power rating of the speaker system. For the Sx500+, this is 800 to 1,600 watts.

The caution cannot be made strongly enough, however, that this arrangement is only for experts or those who can discipline themselves against “pushing” the system for ever-higher sound levels and who can avoid “accidents” such as catastrophic feedback or dropped microphones.

2. A more conservative, “normal” amplifier size, which will produce audible results nearly equal to those of the “expert” recommendation, is 1.0 to 1.4 times the long-term average noise-power rating of the speaker. For the Sx500+, this is 400 to 640 watts.
3. To be very conservative, one can use an amplifier rated at 0.5 to 0.7 times the long-term average noise-power rating of the speaker. For the Sx500+, this is 200 to 280 watts.

Request P.A. Bible Addition No. Two (“Power Handling Capacity”) for more background on these recommendations.

Service

In the unlikely event the Sx500+ requires service, the woofer can be removed from the front. The high-frequency driver can be removed from the rear by first removing the input panel. A service data sheet is available from Electro-Voice.

Stand Mounting

When used on a stand, the stand must be placed on a stable surface. The stand must be rated to support systems of 38.6 kg (85 lb) or greater. It must have a base diameter of 1.22 m (4 ft) or greater. The bottom of the speaker should be no higher than 1.52 m (5 ft) from the bottom of the stand. The user

must be sure that safe use on a stand is not affected by wind or any other conditions.

The Sx500+ can be mounted on the 100BK speaker stand or any other stand with a 1 3/8-inch diameter shaft.

Suspending Sx500+ Enclosures

WARNING: Suspending any object is potentially dangerous and should be attempted only by individuals who have a thorough knowledge of the techniques and regulations of rigging objects overhead. Electro-Voice strongly recommends that the Sx500+ be suspended taking into account all current national, federal, state and local regulations. It is the responsibility of the installer to ensure the Sx500+ is safely installed in accordance with all such regulations. If the Sx500+ is suspended, Electro-Voice strongly recommends that the system be inspected at least once a year. If any sign of weakness or damage is detected, remedial action should be taken immediately.

The Sx500+ enclosure contains eight M8 x 1.25 inserts (see Figure 7) which are built into the enclosure for the purpose of suspension. Before the enclosure is suspended, these inserts are used to attach plates that hold the two halves of the enclosure together in addition to providing a way to suspend the enclosure.

The suspension kits that are available for the Sx500+ are listed below. Please refer to individual suspension-kit engineering data sheets for full details and safety information.

The first approach is to suspend **individual** Sx500+ enclosures. The Mb700 forged eyebolt attachment kit (see Figure 9) is an eyebolt suspension kit. It includes a top and bottom mounting plate to secure the two halves of the enclosure, in addition to the necessary hardware. Typically it will be necessary to attach two cables to the top eyebolts and to “pull-up” on the bottom plate. The Mb500 wall/ceiling mounting bracket (see Figure 8) encompasses the top and bottom of the enclosure with a bracket attached to the two plates to secure the halves of the enclosure. Additionally, it has features to make suspending the Sx500+ easier and more flexible. Electro-Voice recommends the use of the

Mb500 in all but the simplest situations. The Mb500 has supplementary holes to allow the Sx500+ to be attached to a wall or ceiling and aimed at an audience.

The second approach is to suspend **multiple** Sx500+ enclosures. The Sx500+ enclosure is not designed to suspend multiple enclosures from itself. If an “array” is required, then multiple Mb500’s must be used. Arrays may be constructed vertically by “daisy chaining” two Mb500’s from each other. The Mb600 horizontal array kit allows the easy and secure construction of horizontal arrays, using Mb500’s to support the enclosure.

Architects’ and Engineers’ Specifications

The loudspeaker shall be a compact vented-box type. The low frequencies shall be reproduced with one horn-loaded DL15SX 381-mm (15-in.) woofer. The high frequencies shall be reproduced by a DH2T, high-frequency compression driver with a pure-titanium diaphragm, coupled to a 75° x 60° constant-directivity horn molded into the front baffle of the enclosure. The system will use a passive crossover-equalizer network with protection for the high-frequency driver. The loudspeaker shall meet the following performance criteria: frequency response of 60-16,000 Hz, -3 dB; power handling of 400-watts long term and 1,600-watts short term, with a shaped random-noise input per ANSI/EIA RS-426-A 1980; sensitivity of 100-dB SPL at 1 meter with a 1-watt, 300-2,000-Hz pink-noise input; 6-dB-down horizontal coverage angle of 75° + 14°/- 20° in the 2,000- to 20,000-Hz range; 6-dB-down vertical coverage angle of 60° + 11°/- 8° in the 2,000- to 20,000-Hz range; crossover frequency of 1,600 Hz; nominal impedance of 8 ohms and minimum impedance of 5.2 ohms in full-range mode. Paralleled input and output connectors shall be present, consisting of Neutrik Speakon® NL4MP connectors. The enclosure shall be constructed of polypropylene structural foam and fitted with a powder-coated steel grille, three integral handles, a stand socket for mounting on 1 3/8 -inch stands, rubber feet and mating sockets to facilitate stacking. Dimensions shall be 838 mm (33 in.) high x 673 mm

Sx500+ 400-Watt Two-Way Speaker System

Sx500+ 400-Watt Two-Way Speaker System

(26.5 in.) wide x 448 mm (17.63 in.) deep. Net weight shall be 31.3 kg (69 lb).

The system shall be capable of producing average sound levels in excess of 126 dB in the long term, and short-term peaks of 132 dB.

The loudspeaker system shall be the Electro-Voice Sx500+.

Uniform Limited Warranty

Electro-Voice products are guaranteed against malfunction due to defects in materials or workmanship for a specified period, as noted in the individual product-line statement(s) below, or in the individual product data sheet or owner's manual, beginning with the date of original purchase. If such malfunction occurs during the specified period, the product will be repaired or replaced (at our option) without charge. The product will be returned to the customer prepaid.

Exclusions and Limitations: The Limited Warranty does not apply to: (a) exterior finish or appearance; (b) certain specific items described in the individual product-line statement(s) below, or in the individual product data sheet or owner's manual; (c) malfunction resulting from use or operation of the product other than as specified in the product data sheet or owner's manual; (d)

malfunction resulting from misuse or abuse of the product; or (e) malfunction occurring at any time after repairs have been made to the product by anyone other than Electro-Voice Service or any of its authorized service representatives. **Obtaining Warranty Service:** To obtain warranty service, a customer must deliver the product, prepaid, to Electro-Voice Service or any of its authorized service representatives together with proof of purchase of the product in the form of a bill of sale or receipted invoice. A list of authorized service representatives is available from Electro-Voice Service at 600 Cecil Street, Buchanan, MI 49107 (800/234-6831 or FAX 616/695-4743). **Incidental and Consequential Damages Excluded:** Product repair or replacement and return to the customer are the only remedies provided to the customer. Electro-Voice shall not be liable for any incidental or consequential damages including, without limitation, injury to persons or property or loss of use. Some states do not allow the exclusion or limitation of incidental or consequential damages so the above limitation or exclusion may not apply to you. **Other Rights:** This warranty gives you specific legal rights, and you may also have other rights which vary from state to state.

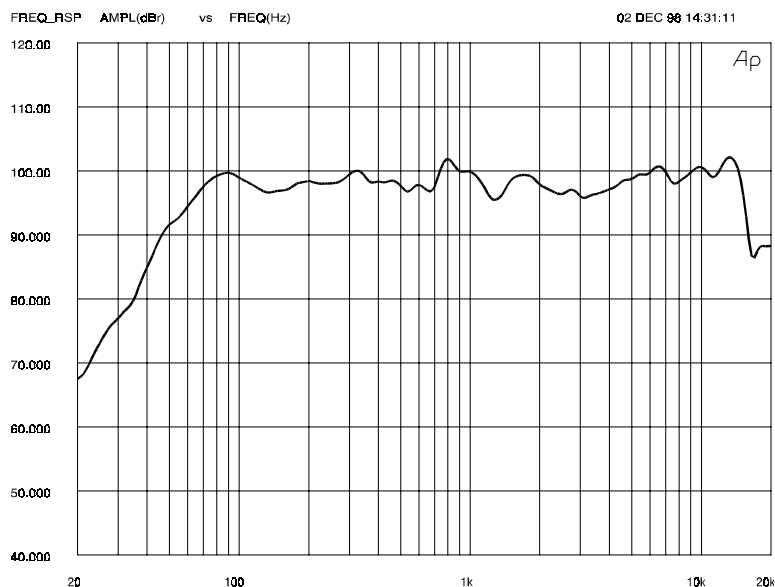
Electro-Voice Speakers and Speaker Systems are guaranteed against malfunction due to defects in materials or workmanship for a period of five (5) years from the date of original purchase. The Limited Warranty does not apply to burned voice coils or malfunctions such as cone and/or coil damage resulting from improperly designed enclosures. Electro-Voice active electronics associated with the speaker systems are guaranteed for three (3) years from the date of original purchase. Additional details are included in the Uniform Limited Warranty statement.

For warranty repair, service information, or a listing of the repair facilities nearest you, contact the service repair department at: 616/695-6831 or 800/685-2606.

For technical assistance, contact Technical Support at 800/234-6831 or 616/695-6831, M-F, 8:00 a.m. to 5:00 p.m. Eastern Standard time.

Specifications subject to change without notice.

Figure 1—Sx500+ Frequency Response (anechoic environment, normalized for 1 watt/1 meter)

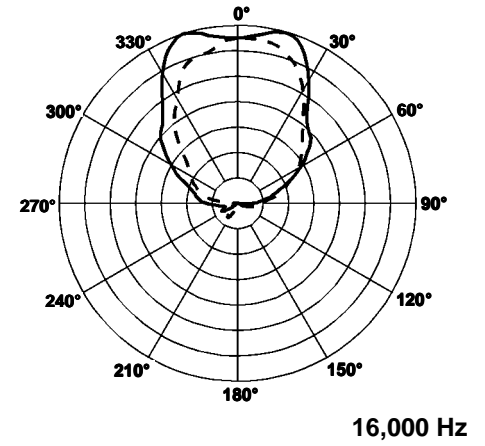
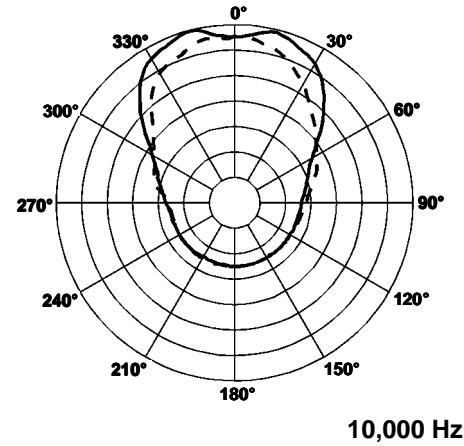
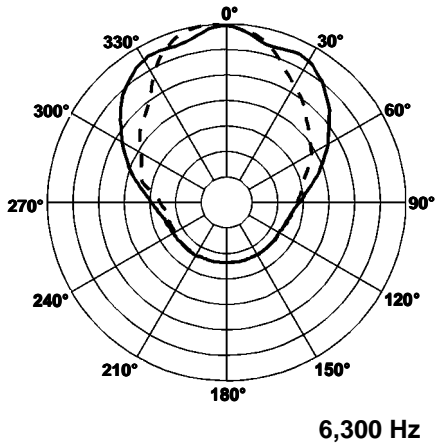
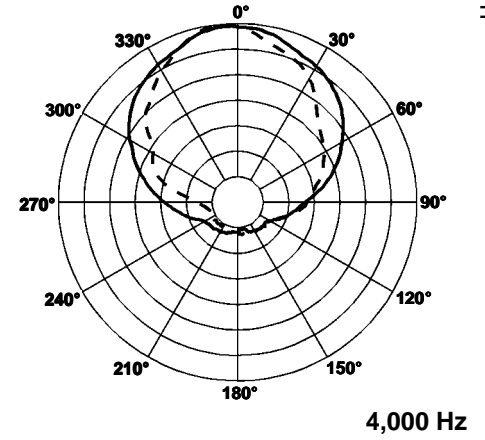
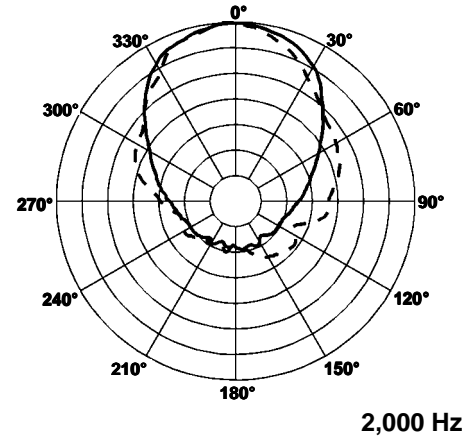
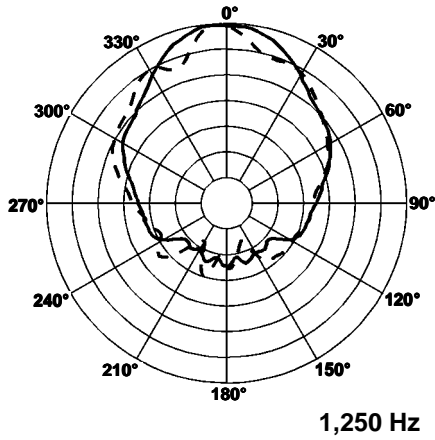
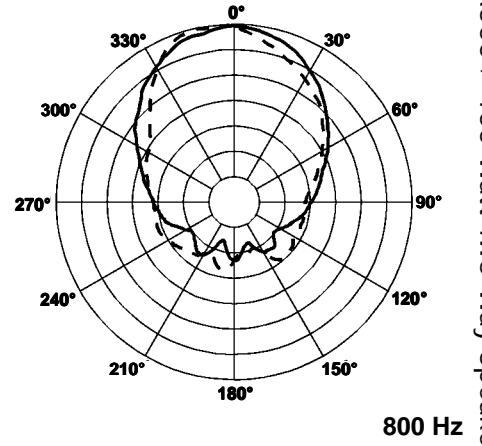
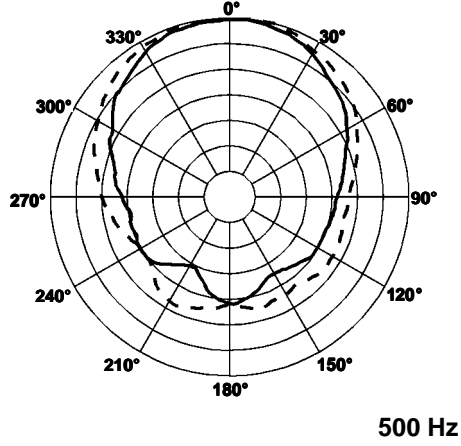
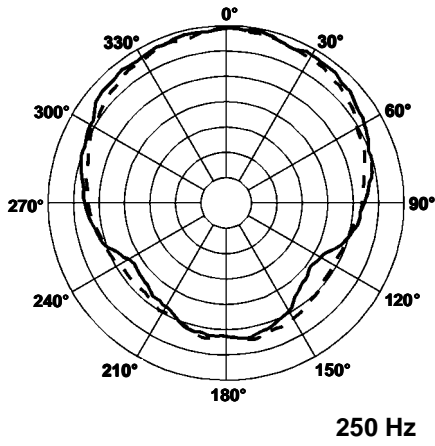


Sx500 + 400-Watt Two-Way Speaker System

Figure 2 — Sx500+ One-Third-Octave Polar Responses (anechoic environment, 4 volts/6.10 meters (20 feet))

5 dB per Division

HORIZONTAL ———
VERTICAL - - - -



Sx500 + 400-Watt Two-Way Speaker System

Sx500+ 400-Watt Two-Way Speaker System

Figure 3 — Sx500+ Beamwidth vs. Frequency (anechoic environment)

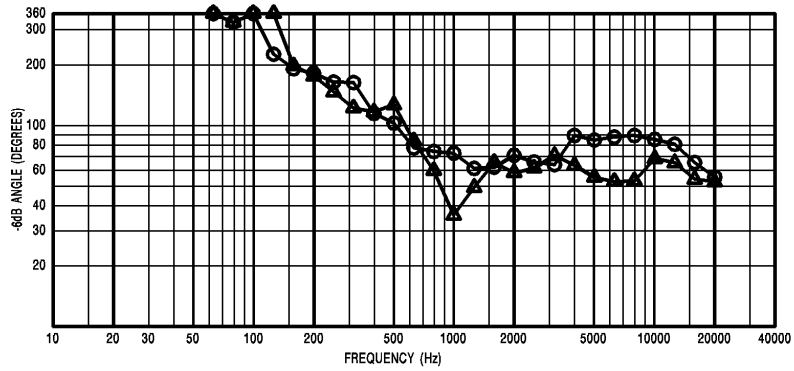


Figure 4 — Sx500+ Directivity vs. Frequency (anechoic environment)

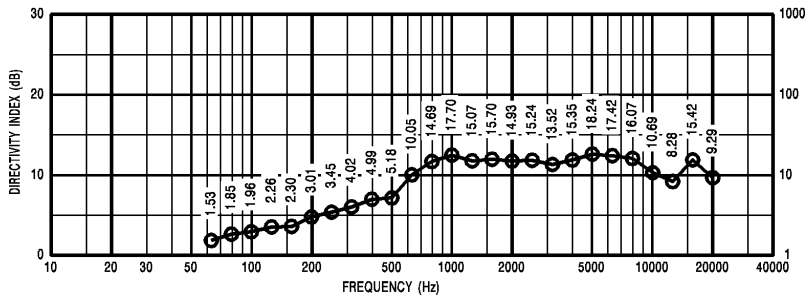
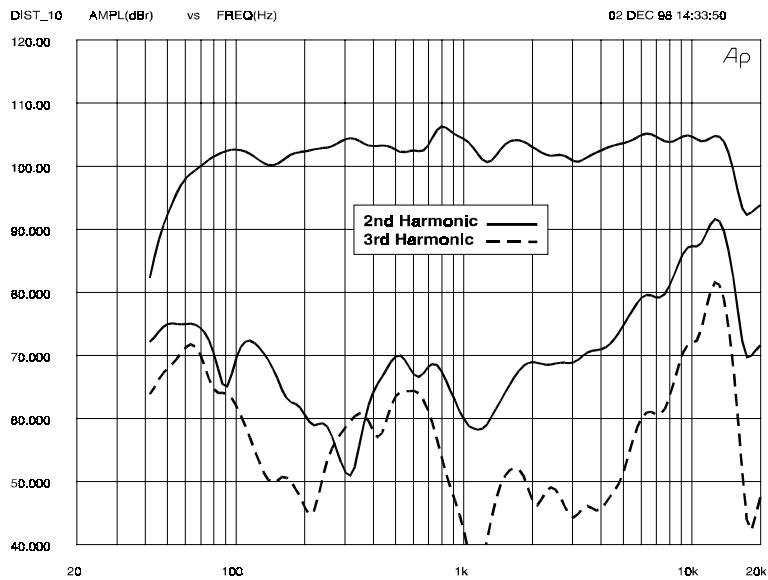


Figure 5 — Sx500+ Harmonic Distortion Response 10% Rated Power Input (40 watts), (anechoic environment, 3.05 meters (10 feet) on axis)



Sx500 + 400-Watt Two-Way Speaker System

Figure 6 — Sx500+Full-Range Impedance Curve

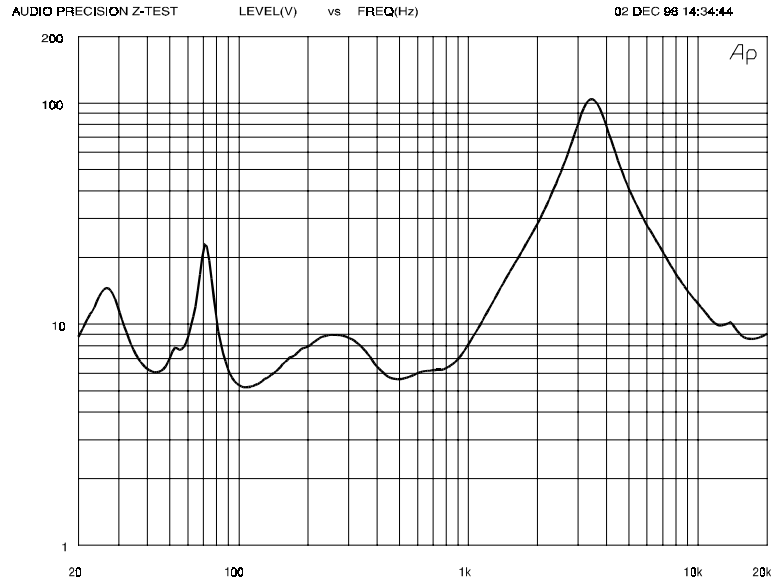


Figure 7 — Sx500+ Dimensions

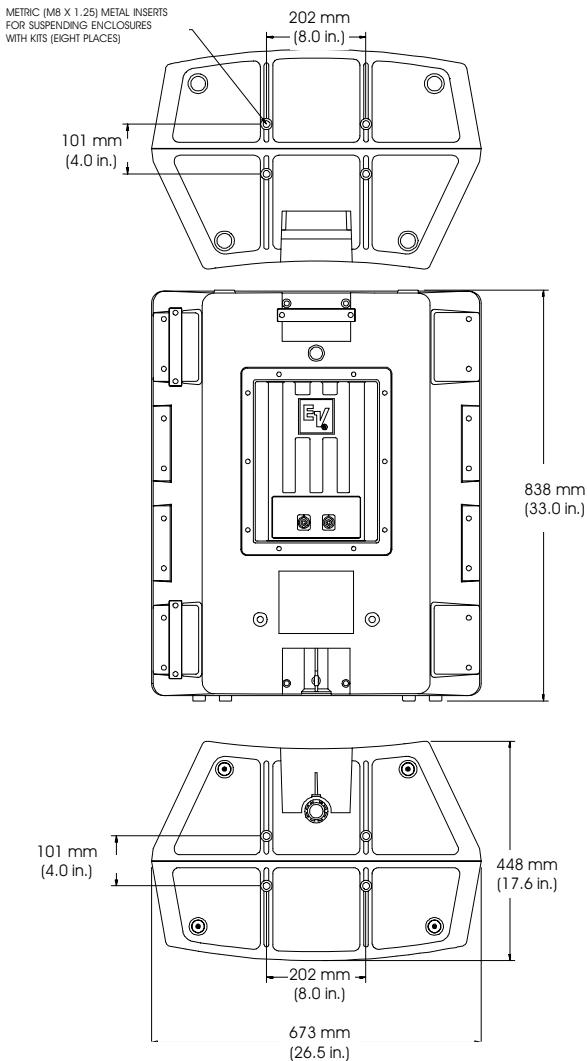


Figure 8 — Sx500+ enclosure with Mb500 wall/ceiling mounting bracket

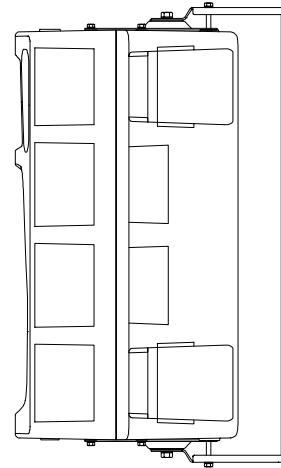
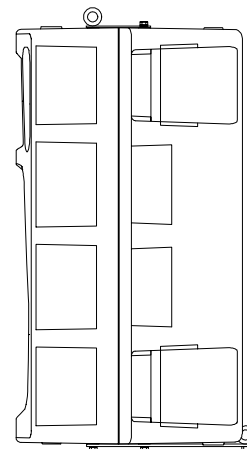


Figure 9 — Sx500+ enclosure with Mb700 forged eyebolt attachment kit



Sx500 + 400-Watt Two-Way Speaker System

Sx500 + 400-Watt Two-Way Speaker System

Specifications

Typical Axial Frequency Response, Swept Sine Wave, 4 volts at 3.05 meters (10 feet), (anechoic environment, normalized for 1 watt at 1 meter; see Figure 1):

60-16,000 Hz

Low-Frequency (3-dB-Down Point):

60 Hz

Usable Low-Frequency Limit (10-dB-down point):

43 Hz

Half Space Reference Efficiency:

4.4%

Long-Term Average Power-Handling Capacity per EIA Standard RS-426-A 1980 (see Power-Handling Capacity section):

400 watts

Maximum Woofer Acoustic Output:

17.6 watts

Sensitivity (SPL at 1 watt, 1 meter input, anechoic environment, swept sine wave):

100 dB

Nominal Coverage Angle,

Horizontal: 75°

Vertical: 60°

Dispersion Angle Included by 6-dB-Down Points on Polar Responses, Indicated One-Third-Octave Bands of Pink Noise (see Figure 3), 2,000-20,000 Hz, Horizontal:

75° (+14°, -20°)

2,000-20,000 Hz, Vertical:

60° (+11°, -8°)

Directivity Factor R(Q), 800- to 16,000-Hz Median (see Figure 4):

11.8 (+0.8, -2.6)

Directivity Index D_r, 800- to 16,000-Hz Median (see Figure 4):

15.2 dB (+3.0 dB, -6.9 dB)

Distortion, 0.1 Full Power Input (see Figure 5), Second Harmonic,

100 Hz:

-33 dB, 2.2%

1,000 Hz:

-44 dB, 0.6%

10,000 Hz:

-17 dB, 14%

Third Harmonic,

100 Hz:

-41 dB, 0.9%

1,000 Hz:

-62 dB, 0.1%

10,000 Hz:

-34 dB, 2.1%

Transducer Complement,

Low Frequency:

DL15SX woofer

High Frequency:

DH2T driver

Box-Tuning Frequency:

44 Hz

Crossover specifications, Full-range mode,

Crossover Frequency:

1,600 Hz

Crossover Slope,

Low Pass:

18 dB per octave

High Pass:

12 dB per octave

Biamp Mode,

Recommended Crossover Frequency:

1,600 Hz

Crossover Slopes,

Recommended:

24 dB per octave

Minimum:

18 dB per octave

Impedance, Full-Range Mode,

Nominal:

8 ohms

Minimum:

5.2 ohms

Biamp Mode,

Nominal (low frequency/high frequency):

8 ohms/8 ohms

Minimum (low frequency/high frequency):

4.9 ohms/7.9 ohms

Input Connections,

Two parallel Neutrik Speakon® NL4MP connectors with the following pin arrangements,

Full-Range Mode:

1- = IN (-)

1+ = IN (+)

2- = Not Used

2+ = Not Used

Biamp Mode:

1- = LF (-)

1+ = LF (+)

2- = HF (-)

2+ = HF (+)

Driver Protection, High Frequency:

Solid-state self-resetting circuit (PRO™ circuit) drops output 6 dB; blocking capacitor with 800-Hz corner frequency and 6-dB-per-octave slope

Enclosure Materials and Colors:

Polypropylene structural foam; black perforated-metal grille

Dimensions (see Figure 4),

Height:

838 mm (33.0 in.)

Width:

673 mm (26.5 in.)

Depth:

448 mm (17.63 in.)

Net Weight:

31.3 kg (69 lb)

Shipping Weight:

35.0 kg (77 lb)

Optional Accessories:

100BK mounting stand

Mb500 wall/ceiling mounting bracket

Mb600 horizontal array kit

Mb700 forged eyebolt attachment kit

VPC500 protective cover

PD500 padded protective case

Attachment Points:

Eight metric inserts (M8 x 1.25) (see Figure 7 and Suspending Sx500

Enclosures section)

Electro-Voice®

600 Cecil Street, Buchanan, MI 49107

616/695-6831, 616/695-1304 Fax