

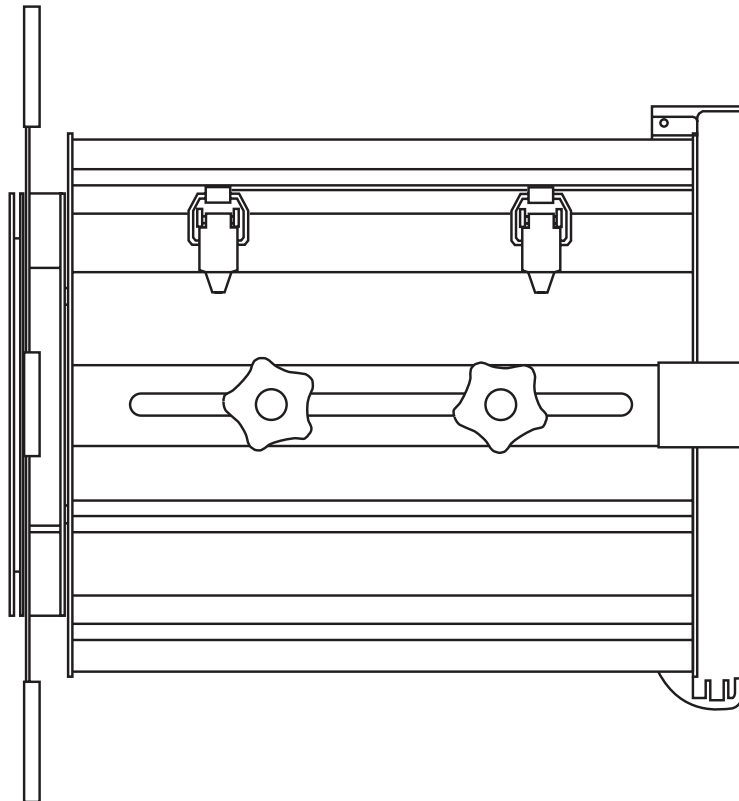
LEO™



# LEO™ LED Ellipsoidal Lens Tube

Cat. Nos. LED08-LTB, LED18-LTB, LED30-LTB

## User's Guide





## WARNINGS AND CAUTIONS

- **TO AVOID FIRE SHOCK OR DEATH; TURN OFF POWER** at circuit breaker or fuse and test that power is off before installation.
- **TO AVOID SERIOUS PERSONAL INJURY**, always connect this product to a grounded circuit.
- To be installed and/or used in accordance with electrical codes and regulations.
- If you are unsure about any part of these instructions, consult an electrician.

## SAFETY NOTES

### WARNING: TO AVOID DEATH, SERIOUS PERSONAL INJURY OR PROPERTY DAMAGE:

- Do not open the housing or attempt any repairs. In the unlikely event the unit may require service please contact *Leviton* Technical Support. Opening the housing or attempting to repair product will void the warranty.
- Do not expose this product to rain or moisture. This product is for indoor use only! (IP20) When transferring product from extreme temperature environments, (e.g., cold truck to warm humid ballroom) condensation may form on the internal electronics of the product. To avoid causing a failure, allow product to fully acclimate to the surrounding environment before connecting it to power.
- Do not operate this product if you see damage on the housing, lenses, or cables.

## PART NUMBERS

LED08-LTB – 8-22° Zoom Lens Tube

LED00-30B – Light Engine, 3200K

LED18-LTB – 18-36° Zoom Lens Tube

LED00-50B – Light Engine, 5600K

LED30-LTB – 30-55° Zoom Lens Tube

**Note:** Light Engine sold separately.

### CAUTION:



Do not operate the fixture without a lens tube installed.

A complete fixture requires a light engine and lens tube.

Open the lens tube cover and remove metal packing frame before use.

Rotate the tube to make sure it is attached and locked to the fixture; otherwise the lens tube assembly may inadvertently separate from the light engine.

## SPECIFICATIONS

CAT. NO.	LED08	LED18	LED30
WEIGHT	16.1 lbs. (7.3 kg)	15.0 lbs. (6.8 kg)	14.8 lbs. (6.7 kg)
SIZE	W 9.5" (250mm) x H 18.5" (470mm) x D 22.4" (570 mm)	W 9.5" (250mm) x H 18.5" (470mm) x D 15.7" (400 mm)	W 9.5" (250mm) x H 18.5" (470mm) x D 11.8" (300 mm)

## GETTING STARTED

Thank you for choosing LEO™ LED Zoom Ellipsoidal by Leviton®. Every LEO™ LED Zoom Ellipsoidal has been thoroughly tested and has been shipped in perfect operating condition. Your package should include:

- Lens Tube
- Safety Guard 9.65" x 9.65" (245 x 245mm)
- Metal Color Frame 9.65" x 9.65" (245 x 245mm)
- User's Guide
- "B" Size Pattern Holder (W 3-3/4", Open Diameter 2-3/4")

**Important:** Unpack the product and check the box to make sure all the parts are in the package and are in good condition. If any of them are damaged, please contact the shipper to make a claim. If any components are missing, please contact our Customer Service Department at 1- 800-736-6682.

## PRODUCT INTRODUCTION

LEO™ LED Zoom Ellipsoidal is a high-performance Ellipsoidal-style LED lighting fixture that delivers bright and long throws in a choice of color temperatures (3200K and 5600K) with high color rendering index (CRI 90+). It also features beam shaping shutters, gobo/iris slots, and lens tubes that are interchangeable. The fixture is fully dimmable from 0% to 100% and can be controlled manually or via DMX controller. It also supports power linking with built-in powerCON® connectors. Virtually quiet operation makes it ideal for use in any situation. The fixture is RDM-ready for precise monitoring of the LED chip's performance and status to make maintenance easy.

# IDENTIFY THE PARTS

**Note:** Light Engine and Lens Tubes (sold separately)



Light Engine



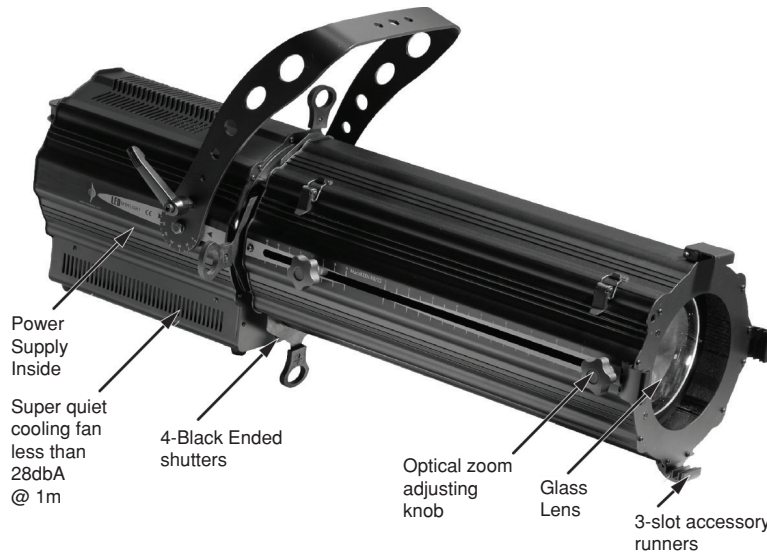
Lens Tube 30-55



Lens Tube 18-36



Lens Tube 08-22



## Front View



## Rear View

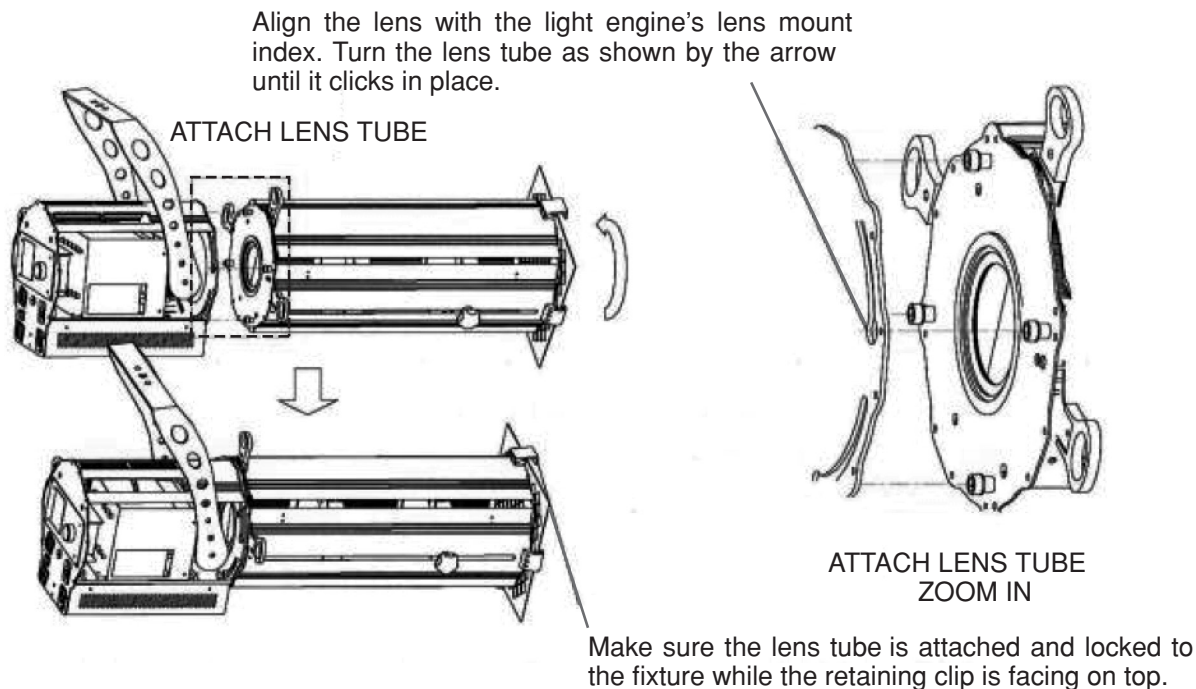
## SAFETY NOTES

- This product contains no user-serviceable parts. Do not open the housing or attempt any repairs, doing so will void the manufactures warranty. In the unlikely event the unit may require service please contact *Leviton* technical support.
- Do not operate this product if you see damage on the housing, lenses, or cables.
- This product is for indoor use only! (IP20) To prevent risk of fire or shock, do not expose this product to rain or moisture. When transferring product from extreme temperature environments, (e.g. cold truck to warm humid ballroom) condensation may form on the internal electronics of the product. To avoid causing a failure, allow product to fully acclimate to the surrounding environment before connecting it to power.

## INSTALL LENS TUBE

To attach the lens tube, align the lens with the light engine's lens mount index and turn the lens tube as shown by the arrow until it clicks in place.

To detach the lens tube, turn the lens as shown by the arrow while pulling the two spring clips on each side of the tube. Turn the lens until it stops, and then detach it.



## MAINTENANCE

### LENS

The lens in your fixture is made of a high quality glass and Anti-Reflective coating which should require little maintenance. However, due to fog residue, smoke and dust, lens cleaning must be carried out periodically to optimize light output. To maintain optimum performance and minimize wear, clean this product at least twice a month. However, usage and environmental conditions contribute to increased cleaning frequency.

#### **CAUTION:**



Do not use ammonia-based or other harsh commercial cleaners. They may damage the glass surface and the Anti-Reflective coatings.

Replace lenses if they contain visible damage (cracks or deep scratches).

**Step 1:** Unplug the product from power and wait until the product is at room temperature.

**Step 2:** Open the lens compartment door by lifting the two spring clips on the top of the lens tube.

**Step 3:** Remove dust with a blast of oil-free air or wipe with a clean, lint-free cloth, isopropyl alcohol may be used on the cloth.

**Step 4:** Make sure to dry all parts completely before plugging the product back in.

## **TRADEMARK DISCLAIMER**

Use herein of third party trademarks, service marks, trade names, brand names and/or product names are for informational purposes only, are/may be the trademarks of their respective owners; such use is not meant to imply affiliation, sponsorship, or endorsement.

## **FOR CANADA ONLY**

For warranty information and/or product returns, residents of Canada should contact Leviton in writing at Leviton Manufacturing of Canada Ltd to the attention of the Quality Assurance Department, 165 Hymus Blvd, Pointe-Claire (Quebec), Canada H9R 1E9 or by telephone at 1 800 405-5320.

## **WARRANTY INFORMATION**

LEVITON LIGHTING & ENERGY SOLUTIONS DIVISION of Leviton manufacturing Co. Inc. warrants its Entertainment Products to be free of material and workmanship defects for a period of two years after system acceptance or 26 months after shipment, whichever comes first. This Warranty is limited to repair or replacement of defective equipment returned Freight Pre-Paid to Leviton Lighting & Energy Solutions Division at 20497 Teton Ave., Tualatin, Oregon 97062, USA. User shall call 1-800-959-6004 and request a return authorization number to mark on the outside of the returning carton, to assure that the returned material will be properly received at Leviton. All equipment shipped back to Leviton must be carefully and properly packed to avoid shipping damage. Replacements or repaired equipment will be returned to sender freight prepaid, F.O.B. factory. Leviton is not responsible for removing or replacing equipment on the job site, and will not honor charges for such work. Leviton will not be responsible for any loss of use time or subsequent damages should any of the equipment fail during the warranty period, but agrees only to repair or replace defective equipment returned to its plant in Tualatin, Oregon. This warranty is void on any product that has been improperly installed, overloaded, short circuited, abused, or altered in any manner. Neither the seller nor Leviton shall be liable for any injury, loss or damage, direct or consequential arising out of the use of or inability to use the equipment. This Warranty does not cover lamps, ballasts, and other equipment which is supplied or warranted directly to the user by their manufacturer. Leviton makes no warranty as to the Fitness for Purpose or other implied Warranties.

Leo is a registered trademark of Leviton Mfg. Co., Inc. in the U.S.A.:









LEO™



**LEVITON MANUFACTURING CO., INC.  
LIGHTING & ENERGY SOLUTIONS DIVISION**

20497 SW Teton Avenue. Tualatin, OR 97062

Telephone: 1-800-736-6682 FAX: 503-404-559

Tech Line (6:00 AM-4:00 PM P.S.T. Monday-Friday): 1-800-959-6004

Email: [lestechnsupport@leviton.com](mailto:lestechnsupport@leviton.com)

**Leviton Manufacturing Co., Inc.**

201 North Service Road, Melville, N.Y. 11747

Telephone: 1-800-323-8920 • FAX: 1-800-832-9538

Information and specifications are subject to change without notice.

**DISCARD ANY OLDER VERSIONS OF THIS USER'S GUIDE AND REPLACE WITH THIS VERSION.**

Visit Leviton's Web site at <http://www.leviton.com>

© 2015 Leviton Manufacturing Co., Inc. All Rights Reserved