

GENERAL INFORMATION

ETC's Response DMX/RDM Four-Port Gateway provides data distribution using the quality and reliability of ETC's network technology. Built for Net3 using industry-standard streaming ACN and sACN, the Response Gateway unlocks the power of your networked system. The Response Gateway also uses bidirectional Ethernet communication with other network devices to send or receive DMX512 and Remote Device Management (RDM) signals.

APPLICATIONS

- Roadhouses
- Touring
- University/professional theaters
- Convention halls
- Tech tables
- Stage manager panels
- System integration

FEATURES

- Distributes DMX and RDM data to any input/output device over Ethernet
- Supports Net3 protocol powered by ACN
- DMX/RDM Output/Input
- Simple configuration and service of each port
- LCD screen for labeling, status and configuration information
- Power and Network status indicators
- Power over Ethernet (PoE) or external DC power supply
- Configurable using Net3 Concert Software

ORDERING INFORMATION

Four-Port Gateways

MODEL	DESCRIPTION
RSN-4OUT	Response 4-port DMX/RDM Gateway - 4 Output
RSN-4IN	Response 4-port DMX/RDM Gateway - 4 Input
RSN-1IN3OUT	Response 4-port DMX/RDM Gateway - 1 In 4 Out
RSN-TERM	Response 4-port DMX/RDM Gateway - 4 Terminal
RSN-RJ45	Response 4-port DMX/RDM Gateway - 4 RJ45
N34G-DIN	Response 4-port DMX/RDM Gateway - DIN Rail

Four-Port Gateway Accessories

MODEL	DESCRIPTION
N34G-FP4F ¹	Gateway Front-Panel Kit - DMX 4 Out
N34G-4P2M2F ¹	Gateway Front-Panel Kit - DMX 2 In 2 Out
PS-INTL ²	Gateway Universal Power Supply
N3GA-RM	Gateway Rack-Mount Kit
N3GA-HBU	Gateway Hanging-Bracket Kit with U-Bolt

¹ Does not include required Rack-Mount kit

² Includes plugs for United States/Japan, Europe, and Great Britain.



SPECIFICATIONS

FUNCTIONAL

- Supports Net3/ACN (ANSI E1.31 and E1.17)
- Supports RDM (ANSI E1.20)
- Supports USITT DMX512-A (ANSI E1.11)
- USITT DMX512 and ANSI E1.11 DMX512-A compliant
- Advanced Input Patch (AIP) allows any incoming address to be associated with any sACN address
- Flexible Output Patch (FOP) allows a 512-address universe to begin at any output address
- Support for per-address- or per-universe-level priority

MECHANICAL

- Menu button for backlight/paging control
- Backlit LCD display for identification and status reporting and basic configuration.
- Rack-Mount/Portable/Touring
 - Fabricated from 16-gauge cold-rolled steel
 - Black, Fine-textured, powder-coat finish
 - C-clamp and U-bolt hardware available
 - Half 19" equipment rack width allows for up to eight DMX ports in 1U height
- DIN rail
 - Extruded aluminium enclosure
 - Mounting complies with DIN43880 (35/7.5 rail)
 - DIN installation enclosure available
- Network, power and data activity LED indicators
 - Blue power indicator, green network activity indicator
 - Bi-color DMX activity indicator
- Front-panel RJ45 for connection to lighting network
- Reset button for hard reset or forced reboot

PROCESSOR

- Maximum delay time from input to output not greater than one packet time
- Selectable DMX refresh rate with a maximum at least 40Hz

ENVIRONMENTAL

- Ambient operating temperature: 0° to 40°C (32° to 104°F)
- Operating humidity: 5% - 95% non-condensing
- Storage temperature: -40° to 70°C (-40° to 158°F)

ELECTRICAL

- Compliant with IEEE 802.3i for 10BASE-T, 802.3u for 100BASE-TX and 802.3af for Power over Ethernet
- Optional 8-28vDC power input for use with non-PoE systems
- Maximum five-watt current draw
- CE compliant and ETL listed

CONFIGURATION

- Configuration provided by Net3 Concert
 - Supports up to 512 DMX addresses per port
 - Supports up to 63,999 Streaming ACN universes
- Up to 2,048 channels in combination of data input or output
- DMX data input or output configurable by user
- Multiple outputs of a single DMX universe (DMX splitter) from a single Gateway
- Supports discrete DMX universe outputs per port
- Multiple sources may be combined to the network with each source or address allowed an independent priority
- Individual port start address and offset
- User-configurable labeling

ADDITIONAL INFORMATION

DMX512

Often shortened to DMX (Digital Multiplex), this communication protocol is used mainly to control dimmers and multi-parameter fixtures. A universe of DMX is defined as 512 channels. DMX sends a nearly continuous stream of level information for each control channel. It is a form of RS-485 digital serial communication.

RDM

Remote Device Management (ANSI E1.20) is a protocol enhancement to DMX512 that allows low-speed bidirectional communication between a system controller and attached RDM devices over a standard DMX line. This protocol will allow remote configuration, status monitoring, and management of devices.

sACN

Streaming ACN (ANSI E1.31), sends DMX-style control over TCP/IP networks. It provides a fast and efficient mechanism to transport the well-understood DMX protocol over Ethernet using an industry-standard protocol.

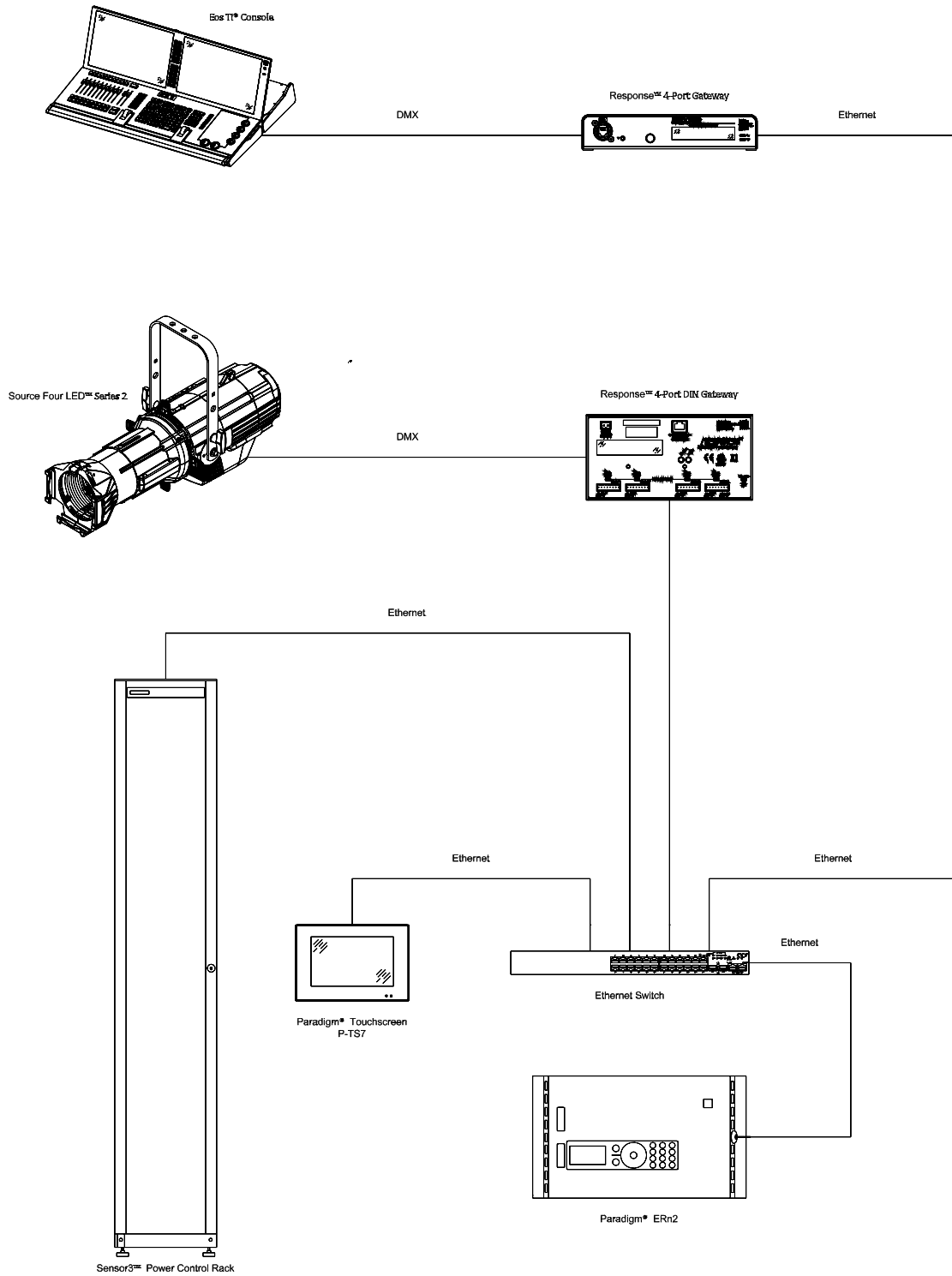
ACN

Architecture for Control Networks (ANSI E1.17) is a standard for high-speed bidirectional communication over TCP/IP on Ethernet network infrastructure. ACN is an open suite of protocols used between network devices for the purposes of greater and more adaptive control.

NET3

ETC's enhanced implementation of the standard ACN Protocol Suite (ANSI E1.17 and E1.31) including additional communication protocols for specialized applications and support of legacy systems.

TYPICAL SYSTEM RISER



PHYSICAL

Response Four-Port Gateway Dimensions

MODEL	HEIGHT		WIDTH		DEPTH	
	inches	mm	inches	mm	inches	mm
Gateway - Standard	1.71	44	8.5	216	8.2	208
Gateway - DIN Rail	4.13	105	8.03	204	1.61	41

Response® Four-Port Gateways Weights

MODEL	WEIGHT		SHIPPING WEIGHT	
	lbs	kgs	lbs	kgs
RSN-4OUT	1.75	.79	3.5	1.59
RSN-4IN	1.75	.79	3.5	1.59
RSN-1IN3OUT	1.75	.79	3.5	1.59
RSN-TERM	1.75	.79	3.5	1.59
RSN-RJ45	1.75	.79	3.5	1.59
N34G-DIN	3.5	1.59	5	2.27

Net3 Four-Port Gateway Accessories

MODEL	WEIGHT		SHIPPING WEIGHT	
	lbs	kgs	lbs	kgs
N34G-FP4F1 ¹	1.1	0.5	2	0.9
N34G-FP2M2F ¹	1.1	0.5	2	0.9
N3GA-PS	0.5	0.2	1	0.5
N3GA-RM	1.5	0.7	2	0.9
N3GA-HBU	0.8	0.4	1	0.5

¹Does not include required Rack-Mount Kit

