

AF CB **CP** CS CV HD HS R SL WE XE XL

## SPECIFICATIONS (See notes 1 and 2)

**Loudspeaker Type:** 2-way, Full-range, bass ported, mini system

**Operating Range:** 60 Hz - 20 kHz  
60 Hz - 20 kHz (+/-5dB)

### Max Input Ratings:

200W continuous, 500W Program  
28 volts RMS, 63 volts momentary peak  
120 / 60 / 30 / 15 watt transformer taps with 70V option

**Recommended Power Amplifier:** 420W to 600W @ 4 Ohms

### Sensitivity 1W/1m:

86 dB SPL (63Hz - 20 kHz 1/3 octave bands)  
85 dB SPL (250 Hz - 4 kHz speech range)

**Maximum Output:** 109 dB SPL / 116 dB SPL (peak)

**Nominal Impedance:** 4 Ohms

**Min Impedance:** 5.4 Ohms @ 170 Hz

### Nominal -6 dB Beamwidth:

90° H (+15° / -13°, 2 kHz - 8 kHz)  
90° V (+19° / -18°, 2 kHz - 8 kHz)

**Axial Q / DI:** 10 / 10, 1kHz - 8 kHz

**Crossover Frequency:** 2 kHz

**Recommended Signal Processing:** 50 Hz high pass filter

**Drivers:** LF (2) 8" cone, magnetically shielded  
HF (1) 1" dome, magnetically shielded

**Driver Protection:** PowerSense™ DDP

### Input Connection:

- (1) NL4 compatible 4 conductor (none with 70V option)
- (2) terminal barrier strip
- (5) terminal barrier strip with 70V option

**Controls:** None

**Enclosure:** 19 mm MDF wood, painted (see options)

**Enclosure Hardware:** (1) integral handle

### Mounting / Rigging Provisions:

- (6) 1/4-20 rigging points
- (4) 1/4-20 for stand adapter or mounting bracket

**Grille:** 16 gauge perforated steel (see options)

**Required Accessories:** None

### Supplied Accessories:

- (4) Rubber feet
- (1) Steel yoke bracket

**Optional Accessories:** None

### Dimensions (without bracket):

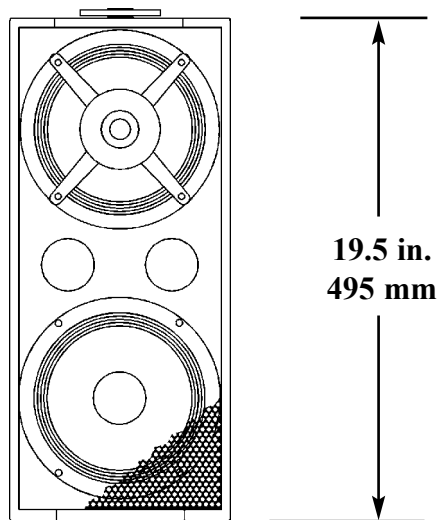
Height: 19.5 in. / 495 mm  
Width (front): 9.7 in. / 247 mm  
Width (rear): 5.6 in. / 143 mm  
Depth: 12.3 in. / 314 mm

**Weight:** 24.5 lb. / 11.1 kg

**Shipping Weight:** 28 lb. / 12.7 kg

**1. Sensitivity:** Free field pink noise measurement at 4 ft. (1.2m) at 25% power; extrapolated to 1 meter

**2. Watts:** All wattage figures are calculated using the rated nominal impedance.



## APPLICATIONS:

- Restaurants, Clubs
- Karaoke Clubs, Health Clubs
- Offices, Classrooms, Meeting Rooms
- A/V Systems, Retail Environments
- Amusement Parks
- Supplementary Coverage for Houses of Worship, Auditoriums, Theatres, Music and Dance Clubs
- Distributed Systems

## FEATURES:

- Magnetically shielded for A/V
- Low "Q" Dispersion
- Coaxially Mounted HF Driver
- PowerSense™ DDP
- Ultra Compact Trapezoidal Enclosure
- Easy Mounting with Included Yoke

## DESCRIPTION

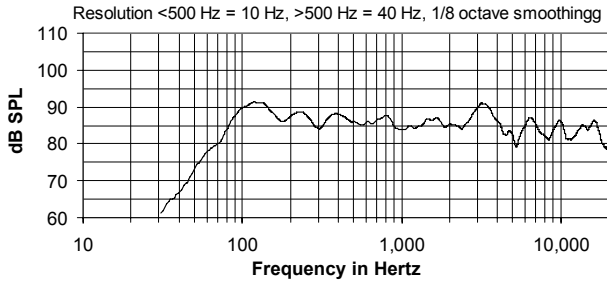
The CPL27 is an ultra-compact, two-way full-range loudspeaker system with two 8 in. LF drivers and one 1 in. dome HF driver coaxially mounted to the upper LF driver. This direct radiating loudspeaker is engineered for systems where high performance, cost-effectiveness and versatility are needed in a small package. The ultra-compact CPL loudspeakers are optimized for background / foreground music systems with enhanced announcement capability. Ultra-compact CPL systems have an integral steel mounting yoke and are available in either a white or black finish. They may be ordered with a 70V option that includes a 120 W transformer with taps at 120 W, 60 W, 30 W, and 15 W. Five year limited warranty.

### OPTIONS:

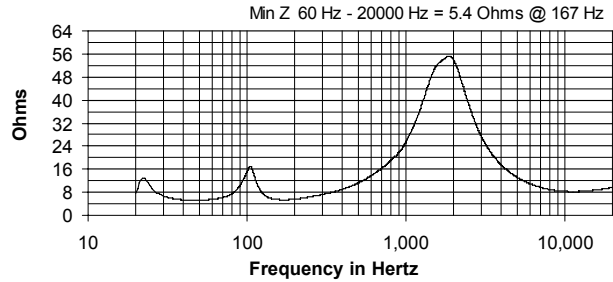
- CPL27-B: Black painted
- CPL27-BT: Black painted / 70V option
- CPL27-W: White painted, white cloth grille covering
- CPL27-WT: White painted / 70V option, white cloth grille covering

AF CB **CS** CV HD HS R SL WE XE XL

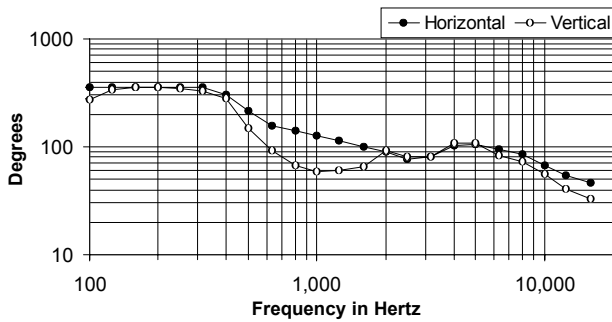
## FREQUENCY RESPONSE



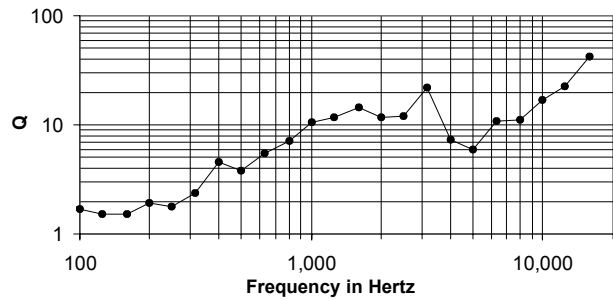
## IMPEDANCE



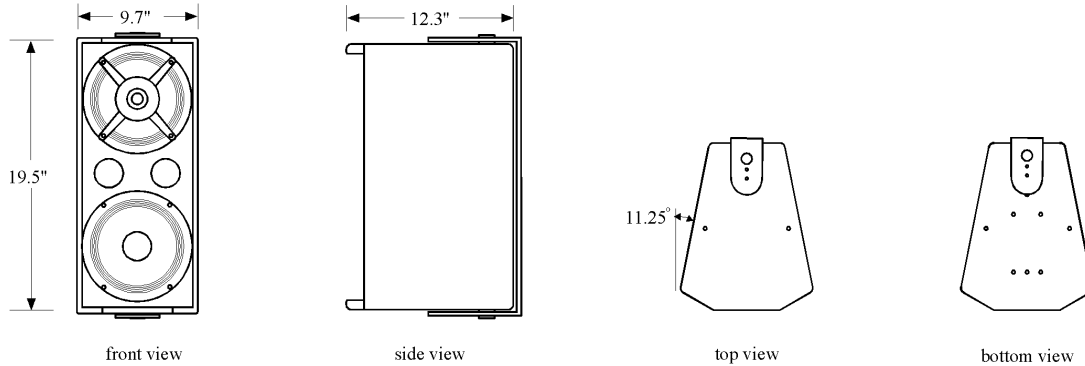
## BEAMWIDTH



## AXIAL Q



## DIMENSIONS



## ARCHITECTS' AND ENGINEERS' SPECIFICATIONS

The loudspeaker system shall be a two-way, full-range bass reflex trapezoidal design with two 8 in. woofers and one 1 in. exit HF dome driver coaxially mounted to the upper LF speaker. Drivers shall be connected to an integral crossover with a crossover frequency of 2 kHz and integral over-current protection circuitry using high positive current coefficient resistors. There shall be one NL4 compatible [not on 'T' model] and one two-terminal [five-terminal] barrier strip input connectors [and one 70V, 60W transformer]. The loudspeaker enclosure shall be MDF with a 16 gauge perforated steel grille {with a white cloth cover} and finished with black {white} painted finish. The system shall have an amplitude response of 60 Hz to 20 kHz (+/- 5 dB), input capability of 28V RMS, 86 dB sensitivity at one meter and 2V / 4 ohms [83, 167, 333, and 667 ohms] nominal impedance. The nominal dispersion shall be 90° H x 90° V from 2 kHz to 8 kHz. The loudspeaker shall be 19.5 in. (495 mm) H x 9.7 in. (247 mm) W (front) x 5.6 in. (143 mm) W (rear) x 12.3 in. (314 mm) D and weigh 24.5 lbs. (11.1 kg).