

SPECIFICATIONS (See notes 1 and 2)

Loudspeaker Type: Compact Dual 15"
Operating Range: 35 Hz - 180 Hz
45 Hz - 160 Hz (+/- 2 dB)

Max Input Ratings:

400W continuous, 1000W Program
40 volts RMS, 89 volts momentary peak

Recommended Power Amplifier:

For maximum SPL: 830W to 1200W @ 4 Ohms

Sensitivity 1W/1m:

95 dB SPL (45 Hz - 160 Hz 1/3 octave bands)

Maximum Output: 121 dB SPL / 128 dB SPL (peak)

Nominal Impedance: 4 Ohms

Min Impedance: 3.2 Ohms @ 40 Hz

Nominal -6dB Beamwidth:

360° H x 360° V

Axial Q / DI: 1 / 0, 40 Hz - 150 Hz

Crossover Frequency: 2 kHz

Recommended Signal Processing:

35 Hz high pass filter
125 Hz low pass filter

Drivers: LF (2) 15" woofer

Driver Protection: IntelliSense™

Input Connection: (2) Locking connector
(compatible with Speakon™ NL4)
(2) 1/4" jacks

Enclosure: 7-ply pine plywood

Enclosure Hardware: (4) Cup handles

Mounting / Rigging Provisions: (1) 1-3/8" stand socket
(1) 5/16-18 rigging point

Grille: 16 gauge perforated steel, black powder coated

Required Accessories: None

Supplied Accessories: None

Optional Accessories: DSC52: digital speaker controller
MP33: 33.5" mounting pole for
mounting a Tandem full-range cabinet

Dimensions:

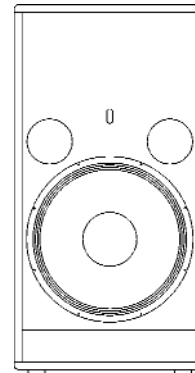
Height: 33.54" / 842 mm
Width: 17.275" / 438.8 mm
Depth: 21.886" / 555.9 mm

Weight: 92 lb. / 41.7 kg

Shipping Weight: 105 lb. / 47.6 kg

1. Sensitivity: Free field pink noise measurement at 5 ft / 1.5 m at 50% power; extrapolated to 1 meter and an input voltage of 2 volts RMS.

2. Watts: All wattage figures are calculated using the rated nominal impedance.

**APPLICATIONS:**

- Club Sound Systems
- Mobile and Installed DJ Rigs
- Regional Event Public Address
- Live Tour Reinforcement
- Theater Stage Systems

FEATURES:

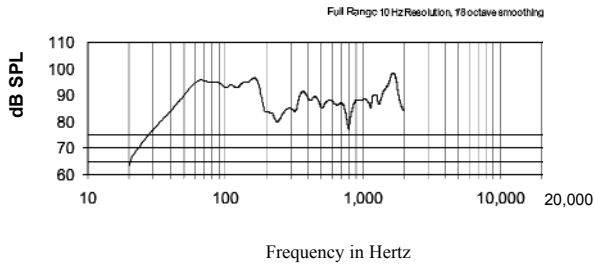
- Dual 15" Cool-Coil™ Drivers
- Two Locking Connectors Plus Two 1/4" Jacks
- 4 Cup Handles, Pole Mount and Rigging Point
- Perforated Steel Grille

DESCRIPTION

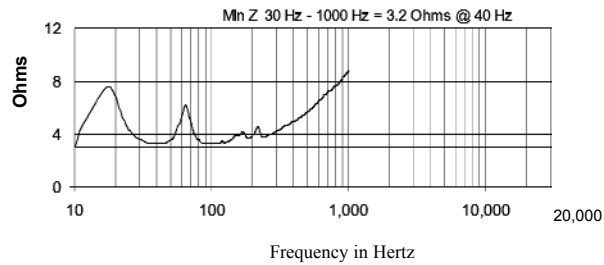
The TD2115 is a dual driver subwoofer designed to augment the Tandem Driver Series full-range loudspeaker systems. Featuring dual 15" Patented Cool-Coil™ Subwoofer drivers, the TD2115 provides exceptional response down to 35 Hz. The Tandem Drive Cool-Coil™ technology provides assurance against lowered volumes brought on by low frequency fatigue.

The TD2115 has the same compact, well braced construction as the Tandem Drive full-range systems. Its shock-resistant Tuf-Coat™ exterior resists the scratches and dings of everyday use. Cup handles, a built-in rigging point and built-in pole mount completes this versatile package.

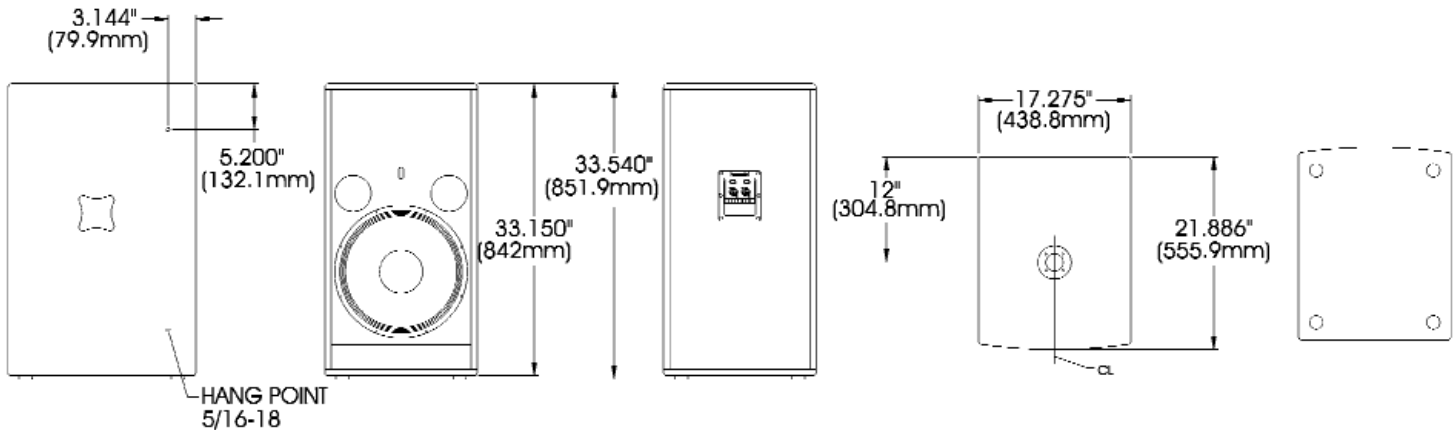
Frequency Response



Impedance



DIMENSIONS



ARCHITECTS AND ENGINEERS SPECIFICATIONS

The loudspeaker system shall be a compact dual 15" driver design. The drivers shall be connected to a passive crossover network with a crossover frequency at 2 kHz, with driver protection using high positive current coefficient resistors. The cabinet shall be a 7-ply pine enclosure with a 16 gauge perforated steel grill. The enclosure shall incorporate one 1-3/8" stand socket for pole mounting and one 5/16-16 hanging point insert. The loudspeaker system shall have an amplitude response of 45-160 Hz (+/- 2 dB SPL), an input capacity of 40V RMS, 95 dB SPL sensitivity @ 2.83V / 1 meter between 45-160 kHz at a nominal 4 Ohm impedance. The nominal dispersion shall be 360° x 360° over a usable frequency range. The dimensions of the enclosure are defined as 33.54" x 17.275" x 21.886" (HWD) at a weight of 92 lbs.