



### SYSTEM COMPONENTS

**Enclosure:**  
3/4" MDF

**Low Frequency Transducer:**  
12" Cone  
2.5" Voice coil  
80 oz. Magnet

**High Frequency Transducer:**  
1" Exit compression driver  
1.8" Titanium diaphragm  
15 oz. Magnet  
Radial horn

**Input Connectors:**  
1 - Dual banana  
2 - 1/4" Phone  
2 - Neutrik Speakon

**Grille:**  
Black nylon cloth over wood frame

### ACOUSTIC AND ELECTRICAL

**System Type:**  
2-way vented 1.1 ft<sup>3</sup>

**Impedance:**  
8 Ω

**Crossover Network:**  
Passive Time-Align® equalizer type at 2.5 kHz

**Time Offset Between Drivers:**  
< ± 25 Microseconds

**Frequency Response:**  
75 Hz to 20 kHz ±3 dB  
(4π Steradians)

**Sensitivity:**  
101 dB SPL (1W @ 1m)

**Dispersion:**  
80° Horizontal (-6 dB)  
60° Vertical (-6 dB)  
(Horn may be rotated 90° for a 60°H x 80°V dispersion)

**Power Handling:**  
200 W continuous sine wave  
800 W instantaneous peak

### PHYSICAL

**Finish:**  
Oak wood veneer

**Dimensions:**  
21" h x 14" w x 11.5" d  
54 cm x 36 cm x 30 cm

**Weight:**  
47 lbs.  
22 kg

**Shipping Dimensions:**  
24" x 17" x 15"  
61 cm x 43 cm x 38 cm

**Shipping Weight:**  
52 lbs.  
24 kg

### APPLICATIONS:

**Auditorium Sound Reinforcement**

**Church Sound Reinforcement**

**Nightclub Applications**

**DJ Systems Installation**

**Foreground Music Systems**

**TA1200-O** The TA1200-O is a compact permanent installation full range loudspeaker system offering both high fidelity and high efficiency. The Time-Aligned™ studio quality sound provides detail and clarity not found in other designs.

**About Time-Align®** Time-Align® assures that the fundamental and overtones of a complex, transient, acoustical signal are presented to the listener in the same relationship as the electrical signal at the input terminals of the loudspeaker.

The conventional loudspeaker spreads out the sound in time: when a rapid series of transients occur the results are blurring and lost detail. With Time-Align®, a transient is presented as a tight package of energy, with the same time relationships as the natural sound. This means that a rapid series of transients will be heard clearly.

True Time-Alignment™ requires much more than just physically lining up the loudspeaker components. It requires consideration of the driver placement, driver delay and adjustment of the crossover delay parameters. This achieves the precise simultaneous acoustical arrival time of each driver throughout the crossover region.

Along with state-of-the-art laboratory instruments, the proprietary Time-Align® generator, built by Ron Wickersham, is used in designing our loudspeaker systems. The Time-Align® generator is founded upon different underlying mathematical principles than are used in the more common Fourier based measurement equipment.

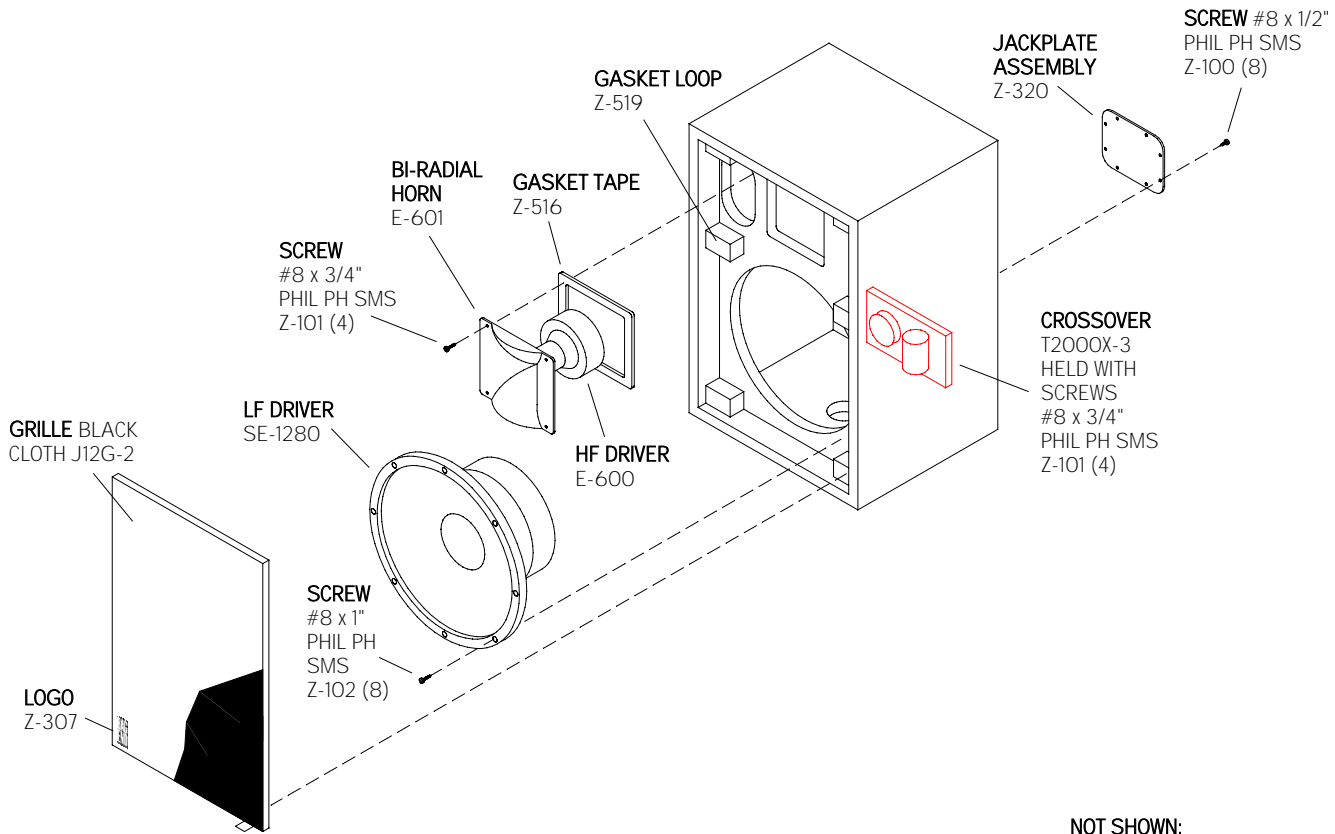
When comparing a genuine BAG END Time-Aligned™ speaker system to any other, our additional design work is easy to hear and appreciate. The dramatic clarity, realism, and overall pleasant sound of our Time-Aligned™ loudspeakers is noted throughout the world.

**BAG END Loudspeakers**  
22272 Pepper Road  
Barrington, Illinois  
60010 USA  
Voice 847 382 4550  
Fax 847 382 4551  
www.bagend.com





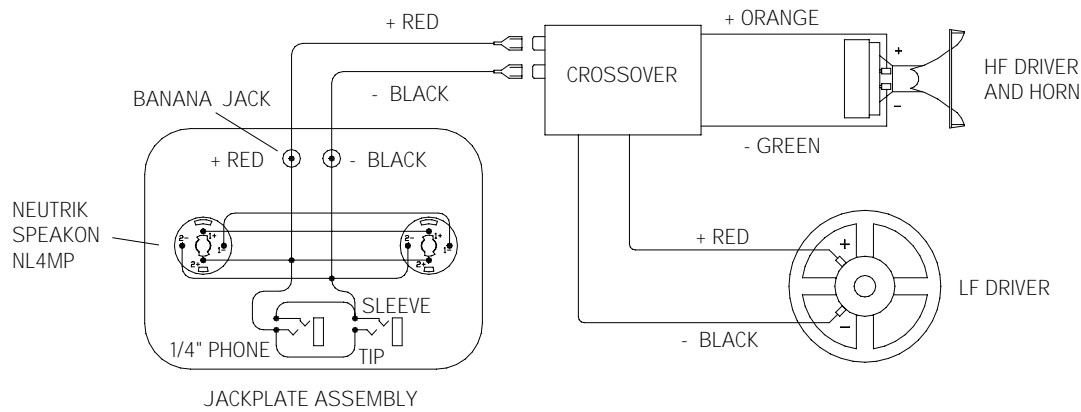
# TA1200-O



**NOT SHOWN:**

- ACOUSTIC DAMPENER Z-500 (4)
- SHIPPING CARTON Z-623 (1)
- PLASTIC BAG Z-626 (1)
- CORNER GUARD Z-629 (16)
- EDGE GUARD Z-630 (8)

## SYSTEM SCHEMATIC



The Neutrik Speakon NL4MP connector is a keyed, high current, four conductor device which allows both the high and low frequency signals for a bi-amped loudspeaker system to run through the same 4-conductor cable. Note that all four conductors on both connectors are wired in parallel, but only two conductors are connected to the drivers in the enclosure. This permits an easy parallel connection to other similar loudspeakers (if your amplifier can handle the low impedance load!) and allows the use of a short "jumper" between the subwoofers and the mid/high speakers in a bi-amped system. Banana and 1/4" phone jacks are also provided.