

## SPECTRA CYC 50

The Spectra Cyc is a 50 Watt cyclorama wall wash luminaire utilizing red, green, blue and amber or white LED emitters. Designed for theatrical and architectural applications, the Spectra Cyc blends colors via a patented LED lens which reduces pixilation from direct view. The on board power supply allows for direct power & data input which can be daisy chained thru 30 units. Designed for use on 8' centers maximum, individual units can be linked side by side for greater saturation of light. The Spectra Cyc is compatible with both DMX and RDM protocols, and comes complete with a library of pre-programmed single colors to various color mixes. Units are made for floor, Sky-Cyc applications, or track mount applications.

## WASH LIGHTING

Catalog Numbers

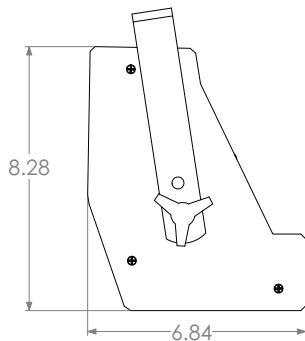
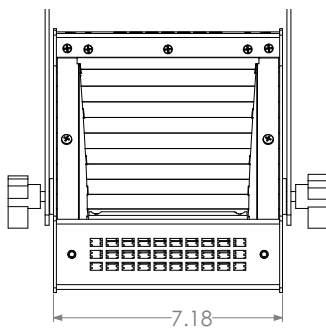
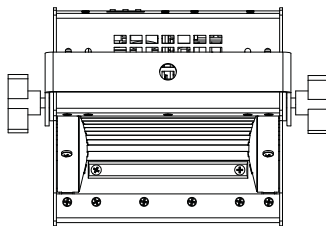
SSCYC50-\*-\*\*

SSCYC50Y-\*-\*\*



### 50 WATT SPECTRA CYC 50 Features

- Available in 4 Standard LED color configurations: *RGBA, RGBW, 3K White or 3K-6K Tunable White†*.
- Altman Smart Track compatible.
- Patented LED blending lens.
- Asymmetrical reflector for broad, even light distribution.
- On-board multi-voltage power supply 100-240VAC.
- Feed through power and data capabilities.
- Compatible with DMX and RDM protocols.
- Push button addressing.
- Pre-programmed modes for fixed colors, timed color changes and strobes.
- 7 lbs.
- ETL & cETL listed.
- Made in the USA



BRINGING IMAGINATION TO LIGHT

57 Alexander St., Yonkers, NY 10701  
© 2012 Altman Stage Lighting, Inc.

Tel: 914-476-7987

Visit our website at [www.altmanlighting.com](http://www.altmanlighting.com)

Model	Wattage	LED Array	Finish Color

SSCYC50Y for Smart Track mounting

Project:	Approval Date:
Location:	Fixture Type: