



GENERAL INFORMATION

The Echo Key Lockout station enables security for stations within a space. While the lockout station is in the active state all stations are disabled to prevent unwanted control activation.

APPLICATIONS

- Houses of worship
- Education
- Hospitality
- Healthcare facilities
- Office buildings
- Conference rooms
- Meeting rooms
- Retail

FEATURES

- Designed for use with any EchoConnect-enabled stations
- Compatible with all EchoConnect hosts, including:
 - Echo Relay Panels running v2.0 or newer software
 - Sensor3 running v1.5.1 or newer software
 - Echo Architectural Control Processor for Unison® DRd
 - Echo Zone Controllers
- Plug and Play: ready to go out of the box; no software required
- EchoConnect™: Two-wire, topology-free station bus provides the freedom to put stations where you need them

GENERAL

- UL and cUL LISTED
- CE marked

ORDERING INFORMATION

Unison Echo Lockout Station

MODEL	DESCRIPTION
EPSLO	Echo Keyswitch Lockout Station

Enter station color code in __ space provided:

- 1 = Cream (RAL 9001)
- 4 = Black (RAL 9004)
- 5 = Signal White (RAL 9003)

Stations flush-mount (F) in industry-standard gang boxes. (By others)

Surface-mount boxes (S) available upon request. (Contact ETC)

Related EchoConnect Power Supplies

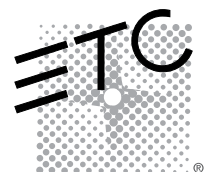
MODEL	DESCRIPTION
E-SPM(-A)	DRd Station Power Module (24V Aux)
E-SPM-WM(-A)	Wall-Mount Station Power Module (24V Aux)
E-SPM-RM(-A)	Rack-Mount Station Power Module (24V Aux)
E-SPS	Room Station Power Supply
E-APS	24V Aux Power Supply, Knockout Mount

Compatible Stations and Sensors

MODEL	DESCRIPTION
E100X	Inspire® Button Stations
E1104	Inspire Fader Station
ELS	Light Sensor
EOCC	Occupancy/Vacancy Sensor
EPS05/ EPS10	Preset Stations

Compatible Output Products

MODEL	DESCRIPTION
ERC/EDRC	One/Two Zone Relay Controllers
ELD/EDLD	One/Two Zone 0-10V Dimming Controllers
ESSC/EDSSC	One/Two Zone SmartSpace Controllers
ELVD	600-Watt Phase Adaptive Dimmer
ERM CX	Echo Room Controllers
ERP/ERP-FT	Echo Relay Panel/Echo Relay Panel Feedthrough
DRd	Unison DRd with Echo Control
SR3	Sensor3 Power Control System
EDMXC	Echo DMX Scene Controller



SPECIFICATIONS**FUNCTIONAL**

- Rotary switch assigns space to be locked out
- Activating lockout causes the system to ignore all button actuations within the assigned space

MECHANICAL

- Gangable for custom applications
- Enclosed electronics assembly and faceplate included
- No visible means of attachment
- Flush-mounts in industry-standard backbox, RACO 690 or equivalent
- Surface-mount backboxes available from manufacturer
- Constructed of injection-molded ABS plastic in three standard colors, matched to RAL standard colors
- Indelibly marked legends in a contrasting color
- Integral red LED indicator shows lockout state
- Two-selector dials for configuration of station group and address
- DIP switches for advanced station configuration

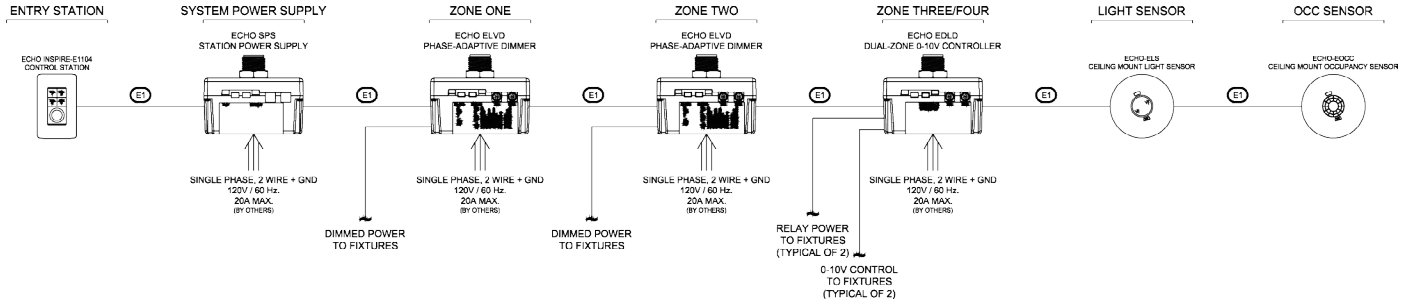
ELECTRICAL

- Connect via EchoConnect with topology-free wiring over Belden 8471 or equivalent and one #14 ESD drain wire
- Wiring may be bus, loop, homerun or any combination of these
- Up to 500 meters (1640 feet) of control wiring per system
- All station terminations use removable connectors
- UL and cUL LISTED, CE marked

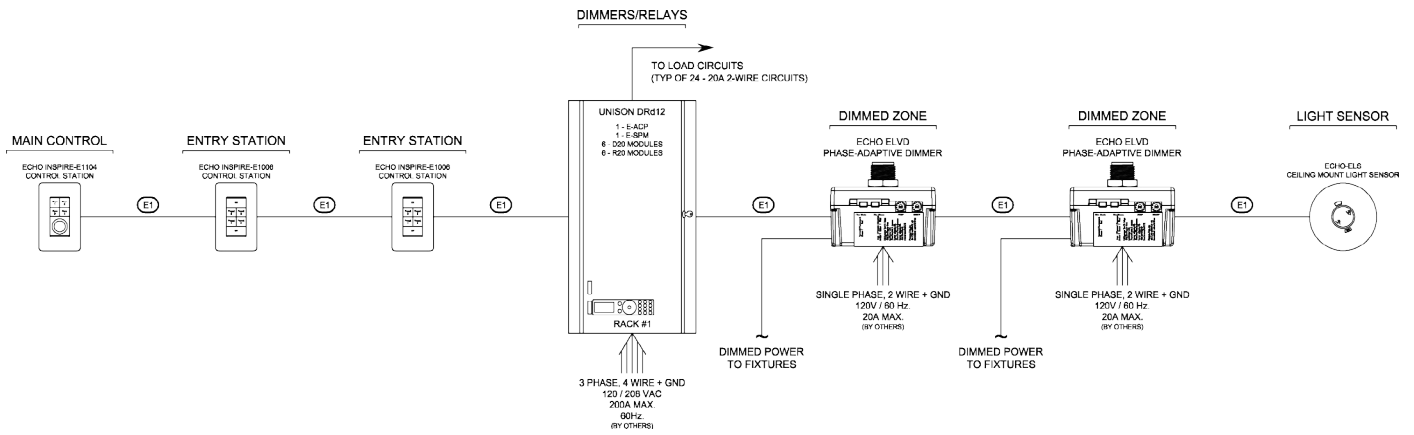
THERMAL

- Ambient room temperature: -10 to 45°C / 14 to 113°F
- Ambient humidity: 5 to 95% non-condensing

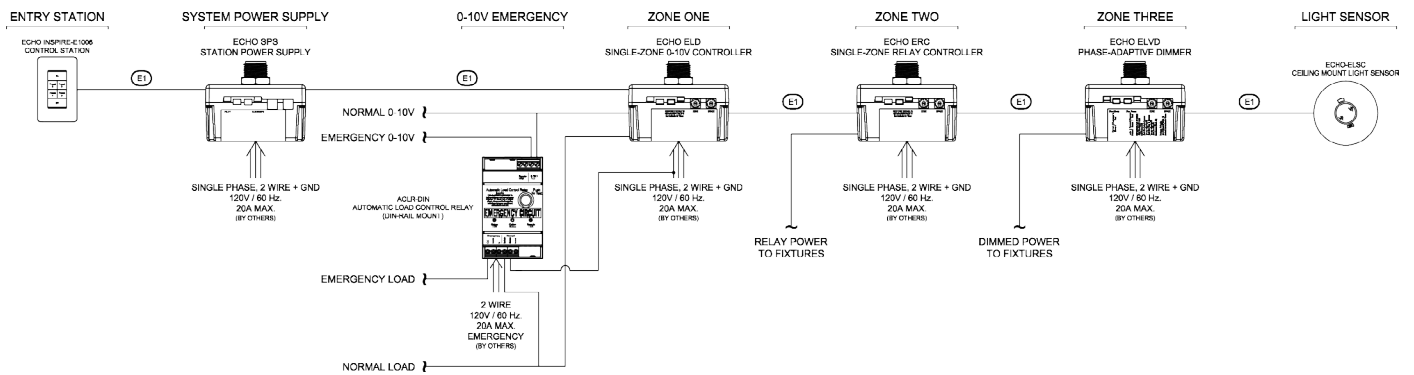
SMALL SYSTEM



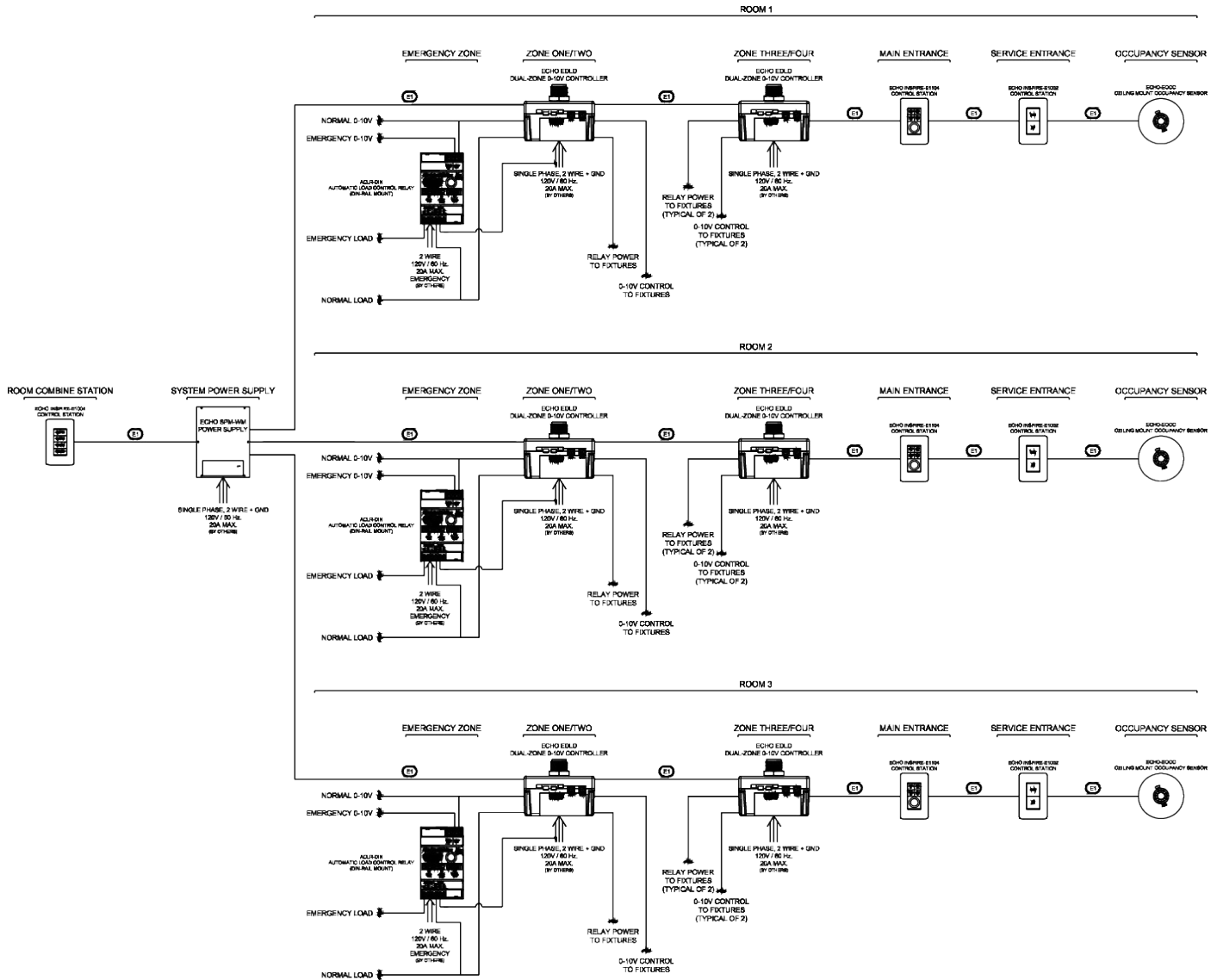
MEDIUM SYSTEM



CONFERENCE ROOM



MEDIUM BALLROOM



PHYSICAL

Product Dimensions

MODEL	HEIGHT		WIDTH		DEPTH	
	inches	mm	inches	mm	inches	mm
EPSLO (faceplate on electronics)	4.5	115	2.8	72	1.5	50.8
(electronics)	2.75	70	1.67	42	1.25	31.75

Product Weight

MODEL	WEIGHT	
	ounces	grams
EPLSO	8	227

