

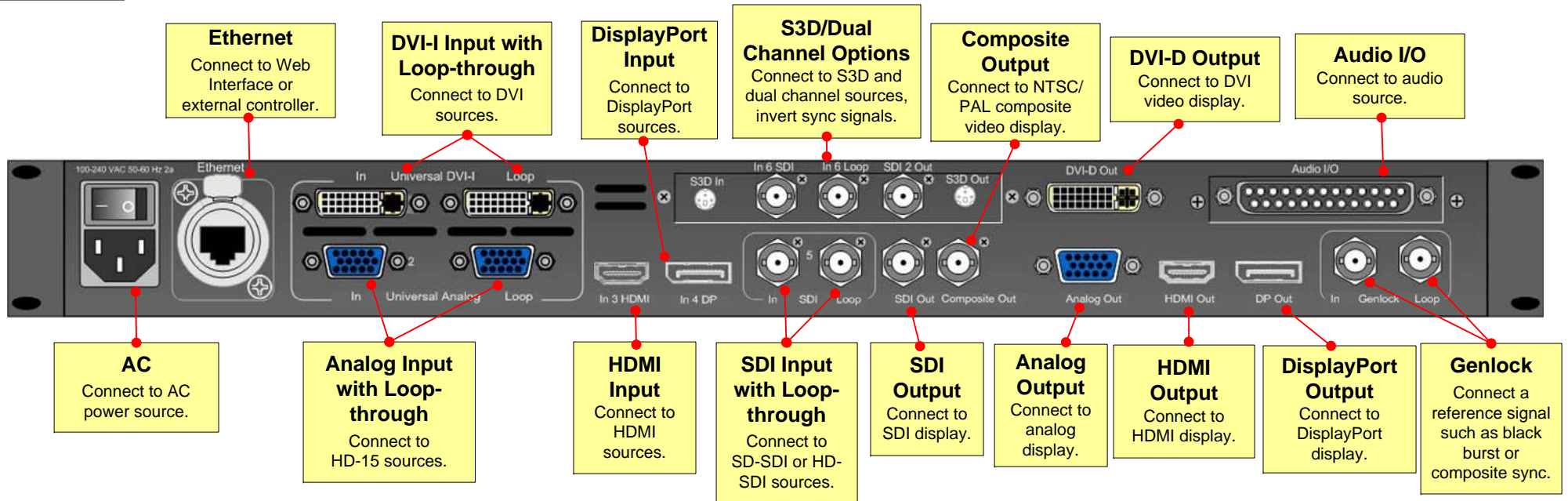
ImagePRO-II

Quick Start Guide

Barco Events USA
11101 Trade Center Drive
Rancho Cordova, CA
95670 • USA

Phone: +1 (916) 859-2500
Fax: +1 (916) 859-2515
Technical Support: +1 (866) 374-7878
Websites: www.barco.com
www.events.barco.com

EMEA Support
Website: www.barco.com/support/eSupport.aspx
Phone: 0800900410



Quick Install and Setup

Getting Started

- 1. Connect power** — Ensure that power is properly connected to the ImagePRO-II.
- 2. Connect inputs** — Connect all input sources to the ImagePRO-II.
- 3. Connect outputs** — Connect the output(s) on the ImagePRO-II to your projector(s) or other target devices.
- 4. Turn on power** — Turn on power to the ImagePRO-II, your projector(s), and to all peripheral equipment.
- 5. Factory reset** — If you are using the ImagePRO-II for the first time, or if you are using an ImagePRO-II that has just returned from an event, perform a full factory reset to restore default system configurations.

Setting Up Outputs

- 6. Obtain the output format** — If the primary output is connected to an HDMI, DVI-D, HD-15 or DisplayPort connector, obtain the output's preferred resolution and frame rate using the Output Menu. This is the format the ImagePRO-II uses. (Chapter 4, "Using EDID Auto Config" section)
- 7. Adjust output format** — If the primary output is connected to the composite video connector or one of the SDI connectors, you can adjust the output format manually if necessary. (Chapter 4, "Setting Output Format" section)
- 8. Test output** — Turn on a test pattern, verify that you have an image, and make any necessary adjustments. When complete, turn off the test pattern. (Chapter 4, "Working with Test Patterns" section)
- 9. Save output configuration** — After completing output adjustments, save the output configuration.

Setting up an LED Display

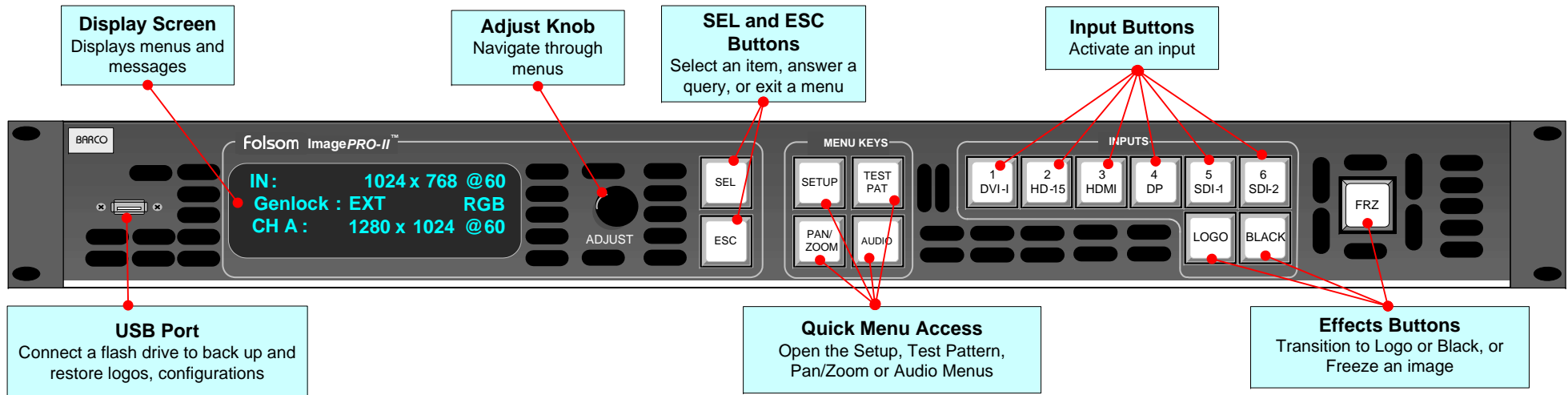
- 10. Position and adjust the image** — Use the **LED Setup Menu** to position the image on the LED wall or other display device, scale the image, adjust pan and zoom settings, and save your view. (Chapter 4, "Positioning an Image on the Display" section.)

Setting Up Inputs

- 11. Set and adjust inputs** — Select inputs and make any necessary adjustments to color balance, timings, and so on. (Chapter 4, "Configuring Inputs" section.)
- 12. Save input configuration** — After adjusting an input, save the input configuration. (Chapter 4, "Saving an Input Configuration" section.)
- 13. Adjust and save system settings** — Adjust system parameters such as VFD brightness, Ethernet settings, and HDCP parameters. (Chapter 4, "Using the System Menu" section.)

ImagePRO-II User's Guide

- For complete details on all installation and operations procedures, please refer to the ImagePRO-II User's Guide.



Features Overview

- High-resolution Athena scaler
- HDCP capability on DVI, HDMI, DP connectors
- Stereoscopic 3D and dual-channel capability
- Audio capability
- Transitions through black or a logo
- 1 rack-mount chassis
- Loop-through on DVI, HD-15, and SDI inputs
- Dedicated Genlock BNC connector with loop-through
- Ethernet connection
- A USB port on the front panel
- Programmable input and output **Extended Display Identification Data (EDID)**
- Multiple output synchronization modes, including analog, digital, SOG/Y
- Front panel lock

Button States

- **Lit** – Button is selected.
- **Dim** – Source or logo is present but not active.
- **Not lit** – Button is not selected.

Remote Control Options

- **Web Interface** – Enables access from a computer, smartphone, tablet, or other web-enabled device.
- **Barco Encore Controller** – An integral part of the Encore Presentation System, providing advanced video processing and presentation control for a wide variety of show configurations.
- **ScreenPRO-II Controller** – A high-resolution multi-layer seamless switching video display system for live event staging and fixed installation applications.

Analog Format Connection Table

Breakout Cable Wire Color	Comp Video	S-Video (Y/C)	YUV (YPbPr)	RGB SOG	RGB Comp Sync	RGB Separate H V
R	Red		✓ (Pr)	✓	✓	✓
G	Green	✓ (Lum)	✓ (Lum)	✓	✓	✓
B	Blue	✓ (Chrom)	✓ (Pb)	✓	✓	✓
H Sync					✓	✓
V Sync						✓

Overview of Key Operations Menus

- Input Menu.** Set input format; adjust brightness and contrast; adjust aspect ratio; set color balance; size the image; save and manage input configurations.
- Output Menu.** Set output format; detect output EDID; create an Area of Interest; adjust timing and colorspace; set effects such as sharpness, strobe mode, color inversion; manage Genlock settings.
- Audio Menu.** Maps audio, sets audio levels and delay.
- Audio I/O Association:** See Audio Channel Mapping table in the User's Guide.
- Custom Formats.** Create, save, delete custom input and output formats.
- Views Menu.** Save, recall, delete pan and zoom settings.
- Transition Menu.** Set transition timing and effects.
- System Menu.** Set system-wide params; manage input/output HDCP settings; enable/disable 3D mode; USB backup of logo/configs; set Ethernet options, set input EDID formats, lock front panel.
- Logo Menu.** Capture, delete, restore, erase, back up, and detect presence of logos.
- LED Setup Menu.** Quickly set up output Area of Interest, input scaling, and save the settings.
- Factory Reset.** Restore factory default settings. Optionally, keep IP address.
- Code Upgrade.** Update ImagePRO-II firmware from a flash drive, or check for available upgrades over the web.