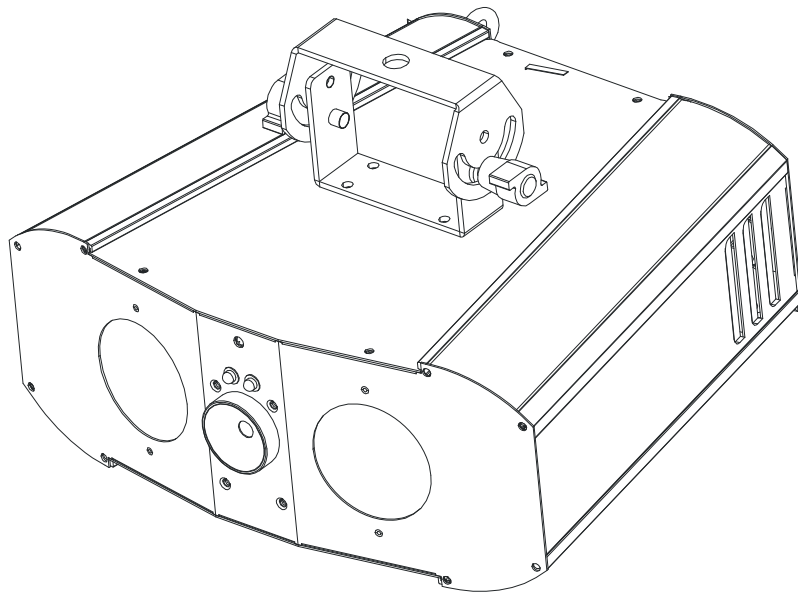




GALAXIAN GEM IR



User Instructions

©2015 ADJ Products, LLC all rights reserved. Information, specifications, diagrams, images, and instructions herein are subject to change without notice. ADJ Products, LLC logo and identifying product names and numbers herein are trademarks of ADJ Products, LLC. Copyright protection claimed includes all forms and matters of copyrightable materials and information now allowed by statutory or judicial law or hereinafter granted. Product names used in this document may be trademarks or registered trademarks of their respective companies and are hereby acknowledged. All non-ADJ Products, LLC brands and product names are trademarks or registered trademarks of their respective companies.

ADJ Products, LLC and all affiliated companies hereby disclaim any and all liabilities for property, equipment, building, and electrical damages, injuries to any persons, and direct or indirect economic loss associated with the use or reliance of any information contained within this document, and/or as a result of the improper, unsafe, insufficient and negligent assembly, installation, rigging, and operation of this product.

Europe Energy Saving Notice

Energy Saving Matters (EuP 2009/125/EC)

Saving electric energy is a key to help protecting the environment. Please turn off all electrical products when they are not in use. To avoid power consumption in idle mode, disconnect all electrical equipment from power when not in use. Thank you!

Unpacking: Thank you for purchasing the Galaxian Gem IR by ADJ Products, LLC®. Every Galaxian Gem IR has been thoroughly tested and has been shipped in perfect operating condition. Carefully check the shipping carton for damage that may have occurred during shipping. If the carton appears to be damaged, carefully inspect your fixture for any damage and be sure all equipment necessary to operate the unit has arrived intact. In the event damage has been found or parts are missing, please contact our toll free customer support number for further instructions. Please do not return this unit to your dealer without contacting customer support first.

Introduction: The Galaxian Gem IR is a 2-FX-in-1 lighting effect with dual RGBW LED moonflowers, plus a “Galaxian style” effect with 100’s of green beams all in one fixture. The Galaxian Gem IR has three operating modes; sound active mode, show mode, or DMX controlled. The Galaxian Gem IR can operate as a stand alone fixture or in a Master/Slave configuration. *For best results use fog or special effects smoke to enhance the beams projections.*

Customer Support: ADJ® provides a toll free customer support line, to provide set up help and to answer any question should you encounter problems during your set up or initial operation. You may also visit us on the web at www.adj.com for any comments or suggestions. *For service related issue please contact ADJ®.* Service Hours are Monday through Friday 8:00 a.m. to 4:30 p.m. Pacific Standard Time.

Voice: (800) 322-6337

Fax: (323) 582-2941

E-mail: support@americandj.com

To purchase parts online visit <http://parts.americandj.com>

Warning! To prevent or reduce the risk of electrical shock or fire, do not expose this unit to rain or moisture.

Caution! There are no user serviceable parts inside this unit. Do not attempt any repairs yourself, doing so will void your manufactures warranty. In the unlikely event your unit may require service please contact ADJ® customer support.

PLEASE recycle the shipping carton whenever possible.

Please carefully read and understand the instructions in this manual thoroughly before attempting to operate this unit. These instructions contain important safety information regarding the use and maintenance of this unit. Please keep this manual with the unit, for future reference.

CAUTION IMPORTANT! When installing this projector, make sure that it is mounted in a manner that prevents the audience from looking directly into the beam, and the beam from striking the audience.

- 30mW Green Laser Diode
- 5 Channel DMX Control
- 3 Operating Modes - Sound Active, Show Mode, & DMX Control
- Stand Alone or Master-Slave Configuration
- Digital Display for Address and Function Setting
- UC IR Compatible (Not Included) & Airstream IR Comptiable
- Power Cord Daisy Chaining (See page 16)

The Galaxian Gem IR carries a 2 year (730 days) limited warranty for LEDs and a 90 Day limited warranty for the laser. Please fill out the enclosed warranty card to validate your purchase and warranty. You may also register your product online at www.americandj.com. All returned service items whether under warranty or not, must be freight pre-paid and accompany a return authorization (R.A.) number. If the unit is under warranty you must provide a copy of your proof of purchase invoice. Please contact ADJ® customer support for a R.A. number.



Safety Issues: This unit may “pop” the fuse if the maximum allotted load of 2 amps is reached.

- To reduce the risk of electrical shock or fire, do not expose this unit rain or moisture.
- Do not spill water or other liquids into or on to your unit.
- Do not attempt to remove or break off the ground prong from the electrical cord. This prong is used to reduce the risk of electrical shock and fire in case of an internal short. Do not attempt to operate this unit if the power cord has been frayed or broken.
- Disconnect from main power before making any type of connection.
- Do not remove the cover under any conditions. There are no user serviceable parts inside.
- Always be sure to mount this unit in an area that will allow proper ventilation. Allow about 6” (15cm) between this device and a wall.
- Do not attempt to operate this unit, if it becomes damaged.
- This unit is intended for indoor use only, use of this product outdoors voids all warranties.
- During long periods of non-use, disconnect the unit’s main power.
- Always mount this unit in safe and stable matter.
- Power cords should be routed so they are not likely to be walked on, pinched by items placed upon or against them.
- Cleaning -The fixture should be cleaned only as recommended by the manufacturer. See page 19 for cleaning details.
- Heat -The appliance should be situated away from heat sources such as radiators, heat registers, stoves, or other appliances (including amplifiers) that produce heat.
- The fixture should be serviced by qualified service personnel when:
 - A. The power-supply cord or the plug has been damaged.
 - B. Objects have fallen, or liquid has been spilled into the unit.
 - C. The unit has been exposed to rain or water.
 - D. The unit does not appear to operate normally or exhibits a marked change in performance.

NON-INTERLOCKED HOUSING WARNING

The Galaxian 3D contains high power laser devices internally. **Do not** open the laser housing, due to the potential exposure to unsafe levels of laser radiation. The laser power levels, if the unit is opened, can cause instant blindness, skin burns and fires.

STOP AND READ ALL LASER SAFETY DATA OPERATION INSTRUCTIONS AND LASER SAFETY

The light source emitted from this product can potentially cause eye injury if not set up and used properly. The light source emitted from a laser is very different from any other light sources with which you may be aware of. Laser light is thousands of times more concentrated than any light from any other kind of light source. This concentration of light can cause instant eye injuries, primarily by burning the retina (the back of your eyeball containing cells that are sensitive to light). Even if you cannot feel “heat” from a laser beam, it can still potentially injure or blind you or your audience. Even very small amounts of laser beam light are potentially hazardous even at long distances. Laser eye injuries can be sustained faster than you can blink.

Do not think that because this laser splits the laser beam into hundreds of beams and that the laser beam is scanned out in high speed, that an individual laser beam is safe for eye exposure. This laser uses dozens of milliwatts of laser power (Class 3B levels internally) before it splits into multiple beams (Class 3R levels). Many of the individual beams are potentially hazardous to the eyes.

Do not think that because the laser light is moving, it is safe. This is not true. Nor, do the laser beams always move. Since eye injuries can occur instantly, it is critical to prevent even the smallest possibility of any direct eye exposure. In the laser safety regulation, it is not legal to aim Class 3R lasers in areas which people can get exposed. This is true even if it is aimed below people’s faces, such as on a dance floor.

Do not operate the laser without first reading and understanding all safety and technical data in this manual.

Always set up and install all laser effects so that all laser light is at least 3 meters (9.8 feet) above the floor on which people can stand.

After setting up, and before public use, test laser to ensure proper function. Do not use if any defect is detected. Do not use if laser emits only one or two laser beams rather than dozens/hundreds, as this could indicate damage to the diffraction grating optic, and could allow emission of higher laser levels above Class 3R.

Do not point lasers at people or animals. Never look into the laser aperture or laser beams.

Do not point lasers in areas in which people can potentially get exposed, such as uncontrolled balconies, etc.

Do not point lasers at highly reflective surfaces, such as windows, mirrors and shiny metal. Even laser reflections can be hazardous.

Never point a laser at aircraft, this is a federal offense.

Never point un-terminated laser beams into the sky.

Do not expose the output optic (aperture) to cleaning chemicals.

Do not use laser if the laser appears to be emitting only one or two beams.

Do not use the laser if the housing is damaged, the housing is open, or if the optics appear damaged in any way.

Never open the laser housing. The high laser power levels inside of the protective housing can start fires, burn skin and will cause instant eye injury.

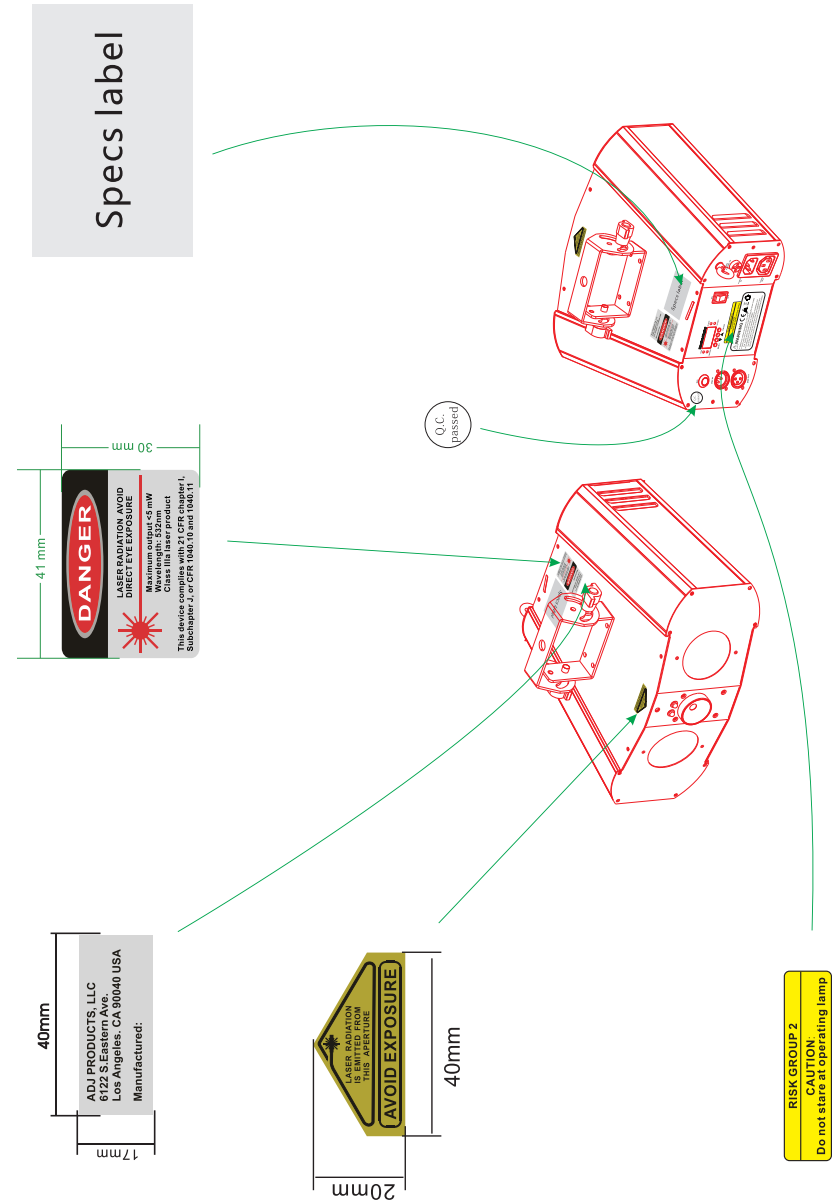
Never leave this device running unattended.

The operation of a class 3R laser show is only allowed if the show is controlled by a skilled and well- trained operator, familiar with the data included in this manual.

The legal requirements for using laser entertainment products vary from country to country. The user is responsible for the legal requirements at the location/country of use.

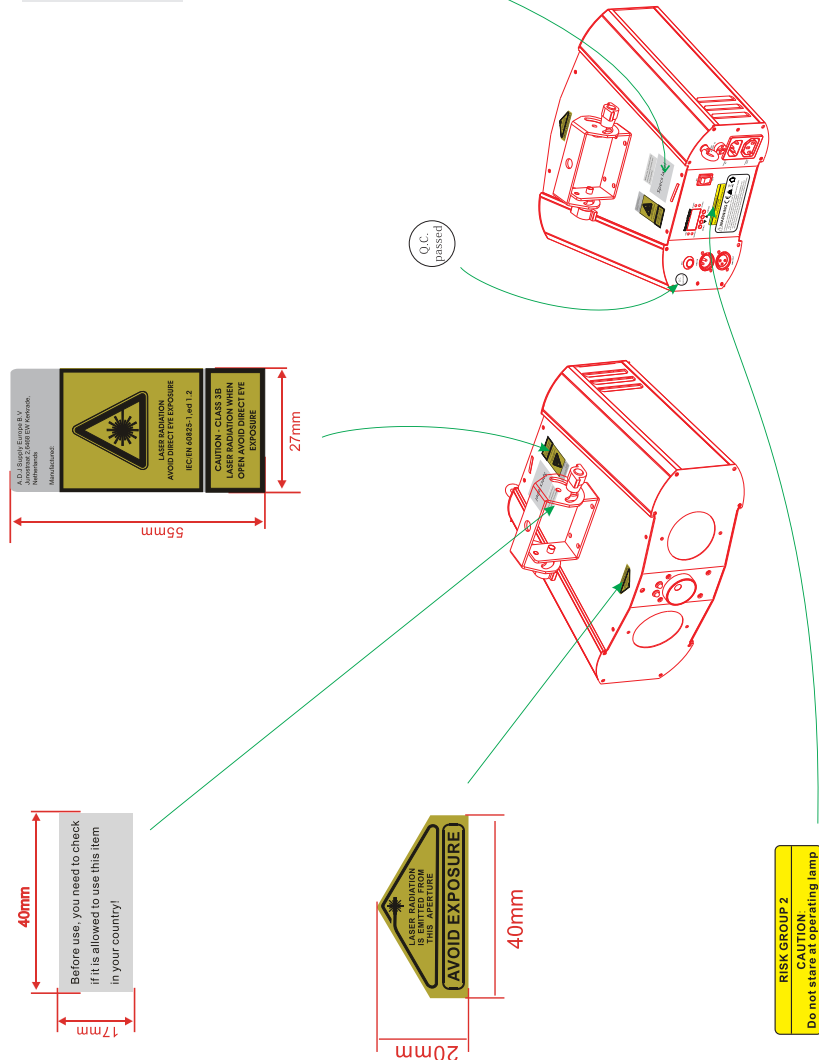
Always use proper lighting safety cables when hanging lights and effects overhead.

US Labels



Specs label

Europe Labels



Power Supply: The ADJ® Galaxian Gem IR contains a automatic voltage switch, which will auto sense the voltage when it is plugged into the power source. With this switch there is no need to worry about the correct power voltage, this unit can be plugged in anywhere.

DMX-512: DMX is short for Digital Multiplex. This is a universal protocol used by most lighting and controller manufactures as a form of communication between intelligent fixtures and controllers. A DMX controller sends DMX data instructions from the controller to the fixture. DMX data is sent as serial data that travels from fixture to fixture via the DATA “IN” and DATA “OUT” XLR terminals located on all DMX fixtures (most controllers only have a DATA “OUT” terminal).

DMX Linking: DMX is a language allowing all makes and models of different manufactures to be linked together and operate from a single controller, as long as all fixtures and the controller are DMX compliant. To ensure proper DMX data transmission, when using several DMX fixtures try to use the shortest cable path possible. The order in which fixtures are connected in a DMX line does not influence the DMX addressing. For example; a fixture assigned a DMX address of 1 may be placed anywhere in a DMX line, at the beginning, at the end, or anywhere in the middle. Therefore, the first fixture controlled by the controller could be the last fixture in the chain. When a fixture is assigned a DMX address of 1, the DMX controller knows to send DATA assigned to address 1 to that unit, no matter where it is located in the DMX chain.

Data Cable (DMX Cable) Requirements (For DMX and Master/Slave Operation): The Galaxian Gem IR can be controlled via DMX-512 protocol. The Galaxian Gem IR is a five channel DMX unit. The DMX address is set electronically using the controls on the rear panel of the unit. Your unit and your DMX controller require a approved DMX-512 110 Ohm Data cable for data input and data output (Figure 1). We recommend Accu-Cable DMX cables. If you are making your own cables, be sure to use standard 110-120 Ohm shielded cable (This cable may be purchased at almost all professional sound and lighting stores). Your cables should be made with



Figure 1

a male and female XLR connector on either end of the cable. Also remember that DMX cable must be daisy chained and cannot be split.

Notice: Be sure to follow figures two and three when making your own cables. Do not use the ground lug on the XLR connector. Do not connect the cable's shield conductor to the ground lug or allow the shield conductor to come in contact with the XLR's outer casing. Grounding the shield could cause a short circuit and erratic behavior.

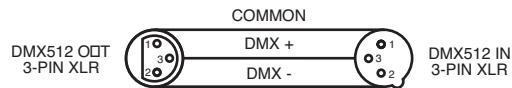


Figure 2

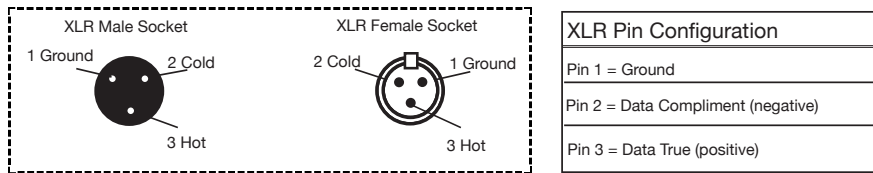


Figure 3

Special Note: Line Termination. When longer runs of cable are used, you may need to use a terminator on the last unit to avoid erratic behavior. A terminator is a 110-120 ohm 1/4 watt resistor which is connected between pins 2 and 3 of a male XLR connector (DATA + and DATA -). This unit is inserted in the female XLR connector of the last unit in your daisy chain to terminate the line. Using a cable terminator (ADJ part number Z-DMX/T) will decrease the possibilities of erratic behavior.

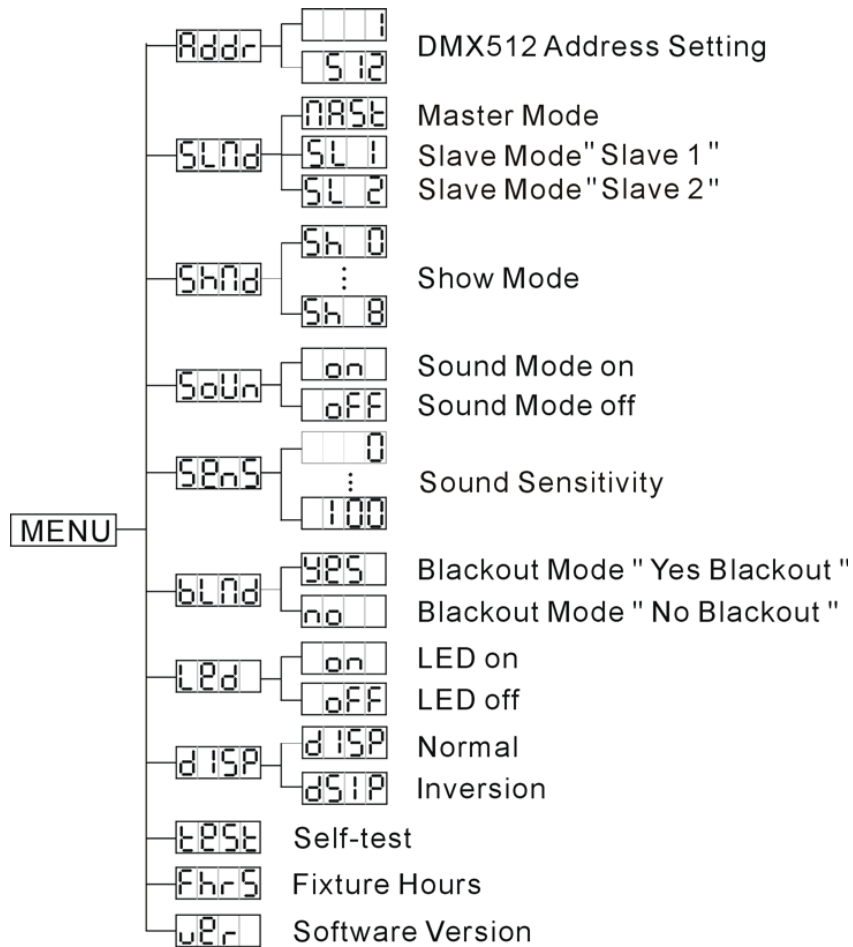


Termination reduces signal errors and avoids signal transmission problems and interference. It is always advisable to connect a DMX terminal. (Resistance 120 Ohm 1/4 W) between PIN 2 (DMX-) and PIN 3 (DMX +) of the last fixture.

Figure 4

5-Pin XLR DMX Connectors. Some manufactures use 5-pin DMX-512 data cables for DATA transmission in place of 3-pin. 5-pin DMX fixtures may be implemented in a 3-pin DMX line. When inserting standard 5-pin data cables in to a 3-pin line a cable adaptor must be used, these adaptors are readily available at most electric stores. The chart below details a proper cable conversion.

3-Pin XLR to 5-Pin XLR Conversion		
Conductor	3-Pin XLR Female (Out)	5-Pin XLR Male (In)
Ground/Shield	Pin 1	Pin 1
Data Compliment (- signal)	Pin 2	Pin 2
Data True (+ signal)	Pin 3	Pin 3
Not Used		Pin 4 - Do Not Use
Not Used		Pin 5 - Do Not Use



System Menu: When making adjustments press **ENTER** to confirm your setup and then press and hold the **MENU** button for at least 3 seconds. To exit without making any adjustments press the **MENU** button.

ADDR - DMX Address Setting.

1. Press the MENU, UP, or DOWN buttons until "**ADDR**" is displayed, press ENTER.
2. The current address will now be displayed and flashing. Press the UP or DOWN buttons to find your desired address. When you have found your desired address press ENTER.

SLND - This will let you set unit as a master or slave in a master/slave configuration.

1. Press the MENU button until "**SLND**" is displayed, press ENTER. "**MSTR**", "**SL 1**" or "**SL 2**" will be displayed.
2. Press the UP or DOWN buttons until your desired setting is displayed, press ENTER to confirm and exit.

NOTE: In a Master/Slave configuration you can make one fixture the Master and then set the next fixture to "**SL 2**", the fixtures will now have contrast movement to each other.

SHND: SH 0 - SH8 - Show modes 0-8 (Factory programs). Show mode can run with or without sound active mode.

1. Press the MENU button until "**SHND**" is displayed, press ENTER.
2. "**Sh X**" will now be displayed, "X" representing a number between 0-8. Programs 1-8 are factory programs, while "**Sh 0**" is random mode. Press the UP or DOWN buttons to find your desired show.
3. When you have found your desired show press ENTER, then press and hold the MENU button for at least 3 seconds to activate.

SOUN - Sound Active mode.

1. Press the MENU button until “**SOUN**” is displayed, press ENTER.
2. The display will show either “**ON**” or “**OFF**”. Press the UP or DOWN buttons to select “**ON**” to activate sound active mode, or “**OFF**” to deactivate sound active mode.
3. Press ENTER to confirm, then press and hold the MENU button for at least 3 seconds to activate.

SENS - Sound sensitivity control.

1. Press the MENU button until “**SENS**” is displayed, press ENTER.
2. The display will show a number between 0-100. Press the UP or DOWN buttons to adjust the sound sensitivity. 0 being the least sensitive and 100 the most sensitive.
3. Press the ENTER button to confirm.

BLND - Blackout or Stand by mode.

1. Press the MENU button until “**BLND**” is displayed, press ENTER. Either Yes or No will be displayed.
2. To activate Blackout tap the UP or DOWN buttons until “Yes” is displayed, press ENTER to confirm. The fixture will now be in Blackout mode. To deactivate Blackout mode, select “No” and press Enter.

LED - With this function you can have the LED display turn off after 10 seconds.

1. Press the MENU button until “**LED**” is displayed, press ENTER.
2. The display will show either “**ON**” or “**OFF**”. Press the UP or DOWN buttons to select “**ON**” to keep the LED display on at all times, or “**OFF**” to switch to have the LED display switch off after 10 seconds.
3. Press ENTER to confirm.

DISP - This function will reverse the display 180°.

1. Press the MENU button until “**DISP**” is displayed, press ENTER.
2. Press the UP button to select “**DSIP**” to activate this function, or “**DISP**” to deactivate this function.
3. Press ENTER to confirm.

TEST - This function will run a self test program.

1. Press the MENU button until “**TEST**” is displayed, press ENTER.
2. The fixture will now run a self test.

FHRS - With this function you can display the running time of the fixture.

1. Press the MENU button until “**FHRS**” is displayed, press ENTER.
2. The display shows the running time of the unit. Press MENU to exit.

VER - With this function you can display the version software of the unit.

1. Press the MENU button until “**VER**” is displayed, press ENTER.
2. The display will now display the version of software. Press MENU to exit.

CAUTION IMPORTANT! When installing this projector, make sure that it is mounted in a manner that prevents the audience from looking directly into the beam, and the beam from striking the audience.

Operating Modes: The Galaxian Gem IR can operate in three different modes. In each mode you can run the fixture as a stand alone fixture or in a master/slave configuration.

Universal DMX Control: This function allows you to use a universal DMX-512 controller to control the chases and patterns, dimmer and strobe. A DMX controller allows you to create unique programs tailored to your individual needs.

1. The Galaxian Gem IR is a five channel DMX fixture. See page 18 for detailed description of the DMX values and traits.
2. To control your fixture in DMX mode, follow the set-up procedures on pages 8-10 as well as the set-up specifications that are included with your DMX controller.
3. Use the controller's faders to control the various DMX fixture traits.
4. This will allow you to create your own programs.
5. Follow the instruction on page 12 to set the DMX address.
6. For longer cable runs (more than a 100 feet) use a terminator on the last fixture.
7. For help operating in DMX mode consult the manual included with your DMX controller.

Show Mode: In this mode you can choose 1 of 8 show modes to run. This operating mode can be used in stand alone unit or in a master-slave configuration.

1. Press the MENU button until "**SHND**" is displayed, and press ENTER.
2. Press the UP or DOWN buttons until you find your desired show, and press ENTER then press and hold MENU for 3 seconds to confirm. See page 12 for more info.

Sound Active Mode: This mode allows either single unit or several units linked together, to run to the beat of the music.

1. Press the MENU button until "**SOUN**" is displayed, and press ENTER.

2. Press the UP or DOWN button so that "**ON**" is displayed. The unit will now run to the beat of the music.
3. The sound sensitivity can be adjusted by pressing the MENU button until "**SENS**" is displayed, and then press ENTER. Use the UP or DOWN buttons to adjust the sound sensitivity, 1 being the least sensitive, and 100 being the most sensitive.

Master-Slave Set Up This function will allow you to link up to 16 units together and operate without a controller. The units will be sound activated. In a Master-Slave set up one unit will act as the controlling unit and the others will react to the controlling units programs. Any unit can act as a Master or as a Slave.

1. Using approved DMX data cables, daisy chain your units together via the XLR connector on the rear of the units. Remember the Male XLR connector is the input and the Female XLR connector is the output. The first unit in the chain (master) will use the female XLR connector only - The last unit in the chain will use the male XLR connector only. For longer cable runs we suggest a terminator at the last fixture.
2. For the Master unit press the MENU button until "**SLND**" is displayed, and Press ENTER. Set the unit to "**MAST**" and press ENTER.
3. Next set the Master to your desired operating mode.
4. For the slave units press the MENU button until "**SLND**" is displayed, and Press ENTER. Set the slave units to either "**SL 1**" or "**SL 2**".
5. The slave units will now follow the Master unit.

With this feature you can connect the fixtures to one another using the IEC input and output sockets. The quantity that can be connected is 21 fixtures maximum for 120V and 33 fixtures maximum for 240V. After the maximum fixtures has been reached you will need to use a new power outlet. They must be the same fixtures. DO NOT mix fixtures.

Galaxian Gem IR**UC IR Control**

The **UC IR (sold separately)** infrared remote gives you control of various functions (See below). To control the fixture you must aim the remote at the front of the fixture and be no more than 30 feet away.

The Galaxian Gem IR comes with the **Airstream IR** remote transmitter. The **ADJ Airstream IR** is a universal infrared remote control App used to control a variety of UC IR compatible fixtures. You can download the Airstream IR App in the iOS App store. The remote transmitter plugs into the headphone jack of your iOS phone or tablet. The App comes with 3 pages of control depending on the IR fixture you are using. Additional Airstream IR transmitters are available for purchase please contact your ADJ dealer.

Works with App page 1.

STAND BY - Pressing this button will blackout the fixture.

FULL ON - This button is for full output intensity. Once your release the button it will return to normal intensity.

FADE/GOBO - This button is invalid for the fixture.

“DIMMER +” and “DIMMER -” - These buttons are invalid for the fixture.

STROBE - Press and hold this button for strobing.

COLOR - Press this button to select your desired color. Use the numerical buttons to find your desired color.

1-9 - When color mode is active, these buttons will let you select your desired color. When show mode is active, these buttons will let you select your desired show.

SOUND ON & OFF - These buttons allow you to turn Sound Mode On/Off.

SHOW 0 - This activates the show mode. Use the numerical buttons to find your desired show.

Galaxian Gem IR**DMX Values & Traits**

Channel	Value	Function
1	0 - 7 8 - 15 16 - 239 240 - 247 248 - 255	LASER LASER OFF LASER ON LASER STROBING SLOW - FAST LASER SOUND ACTIVE LASER ON
2	0 - 9 10 - 120 121 - 134 135 - 245 246 - 255	LASER ROTATION NO ROTATION CLOCKWISE FAST - SLOW NO ROTATION COUNTER-CLOCKWISE SLOW - FAST NO ROTATION
3	0 - 7 8 - 37 38 - 67 68 - 97 98 - 127 128 - 157 158 - 187 188 - 217 218 - 247 248 - 255	LED CHASES BLACKOUT CHASE 1 CHASE 2 CHASE 3 CHASE 4 CHASE 5 CHASE 6 CHASE 7 CHASE 8 SOUND ACTIVE
4	0 - 255	LED CHASE SPEED SLOW - FAST
5	0 - 7 8 - 247 248 - 255	LED STROBING NO FUNCTION STROBING SLOW - FAST SOUND ACTIVE STROBING

Galaxian Gem IR

Fuse Replacement

Locate and remove the unit's power cord. Once the cord has been removed, the fuse holder is located above the I.E.C. power cord input. Using a phillips head screw driver unscrew and remove the fuse holder. Remove the bad fuse and replace with a new one. Reinsert the fuse holder and tighten with the screwdriver.

Galaxian Gem IR

Cleaning

Fixture Cleaning: Due to fog residue, smoke, and dust cleaning the internal and external lenses should be carried out periodically to optimize light output.

1. Use normal glass cleaner and a soft cloth to wipe down the outside casing.
2. Clean the external optics with glass cleaner and a soft cloth every 20 days.
3. Always be sure to dry all parts completely before plugging the unit back in.

Cleaning frequency depends on the environment in which the fixture operates (I.e. smoke, fog residue, dust, dew). In heavy use we recommend cleaning on a monthly basis. Periodic cleaning will ensure longevity, and crisp beam output.

Galaxian Gem IR

Trouble Shooting

Trouble Shooting: Listed below are a few common problems that you may encounter, with solutions.

No light output from the unit;

1. Be sure the external fuse has not blown. The fuse is located on the rear panel of the unit.
2. Be sure the fuse holder is completely and properly seated.

Unit does not respond to sound;

1. Low frequencies (bass) should cause the unit to react to sound. Tapping on the microphone, quiet or high pitched sounds may not activate the unit.

Galaxian Gem IR

Warranty

MANUFACTURER'S LIMITED WARRANTY

- A. ADJ Products, LLC hereby warrants, to the original purchaser, ADJ Products, LLC products to be free of manufacturing defects in material and workmanship for a prescribed period from the date of purchase (see specific warranty period on reverse). This warranty shall be valid only if the product is purchased within the United States of America, including possessions and territories. It is the owner's responsibility to establish the date and place of purchase by acceptable evidence, at the time service is sought.
- B. For warranty service you must obtain a Return Authorization number (RA#) before sending back the product—please contact ADJ Products, LLC Service Department at 800-322-6337. Send the product only to the ADJ Products, LLC factory. All shipping charges must be pre-paid. If the requested repairs or service (including parts replacement) are within the terms of this warranty, ADJ Products, LLC will pay return shipping charges only to a designated point within the United States. If the entire instrument is sent, it must be shipped in its original package. No accessories should be shipped with the product. If any accessories are shipped with the product, ADJ Products, LLC shall have no liability whatsoever for loss of or damage to any such accessories, nor for the safe return thereof.
- C. This warranty is void if the serial number has been altered or removed; if the product is modified in any manner which ADJ Products, LLC concludes, after inspection, affects the reliability of the product; if the product has been repaired or serviced by anyone other than the ADJ Products, LLC factory unless prior written authorization was issued to purchaser by ADJ Products, LLC; if the product is damaged because not properly maintained as set forth in the instruction manual.
- D. This is not a service contract, and this warranty does not include maintenance, cleaning or periodic check up. During the period specified above, ADJ Products, LLC will replace defective parts at its expense with new or refurbished parts, and will absorb all expenses for warranty service and repair labor by reason of defects in material or workmanship. The sole responsibility of ADJ Products, LLC under this warranty shall be limited to the repair of the product, or replacement thereof, including parts, at the sole discretion of ADJ Products, LLC. All products covered by this warranty were manufactured after August 15, 2012, and bear indentifying marks to that effect.
- E. ADJ Products, LLC reserves the right to make changes in design and/or improvements upon its products without any obligation to include these changes in any products theretofore manufactured.

No warranty, whether expressed or implied, is given or made with respect to any accessory supplied with products described above. Except to the extent prohibited by applicable law, all implied warranties made by ADJ Products, LLC in connection with this product, including warranties of merchantability or fitness, are limited in duration to the warranty period set forth above. And no warranties, whether expressed or implied, including warranties of merchantability or fitness, shall apply to this product after said period has expired. The consumer's and/or Dealer's sole remedy shall be such repair or replacement as is expressly provided above; and under no circumstances shall ADJ Products, LLC be liable for any loss or damage, direct or consequential, arising out of the use of, or inability to use, this product.

This warranty is the only written warranty applicable to ADJ Products, LLC Products and supersedes all prior warranties and written descriptions of warranty terms and conditions heretofore published.

MANUFACTURER'S LIMITED WARRANTY PERIODS:

- **Lighting Products = 1-year (365 days) Limited Warranty** (Such as: Special Effect Lighting, Intelligent Lighting, UV lighting, Strobes, Fog Machines, Bubble Machines, Mirror Balls, Par Cans, Trussing, Lighting Stands etc. excluding LED and lamps)
- **Laser Products = 1 Year (365 Days) Limited Warranty** (excluding laser diodes which have a 6 month limited warranty)
- **L.E.D. Products = 2-year (730 days) Limited Warranty** (excluding motors, PCB boards, and power supplies, which have a 1-year (365 day Limited Warranty) batteries which have a 180 day limited warranty). Only the L.E.D.s carry a 2-year warranty (excluding StarTec Series which carries a 1 Year Limited Warranty) **Note: 2 Year Warranty only applies to purchases within the United States.**
- **ADJ DMX Controllers = 2 Year (730 Days) Limited Warranty** (excluding faders and tact switches)

Model: Galaxian Gem IR

Voltage:	100V ~ 240V/50~60Hz
LEDs:	92 x 5mm RGBW LEDs (32 Red, 20 Green, 20 Blue, & 20 White)
Lasers:	30mW Green Diode
Power Consumption:	19W
Fuse:	1 Amp
Power Cord Daisy Chain:	21 Fixtures Max. (120V) 33 Fixtures Max. (230V)
Beam Angle:	82 Degrees
Dimensions:	12"(L) x 12.75"(W) x 8"(H) 308mm x 324mm x 201mm
Weight:	8 Lbs. / 3.5 kgs.
Colors:	RGBW + Green Laser
Duty Cycle:	None
DMX:	5 DMX Channels
Sound Active:	Yes
Working Position:	Any Safe, Secure Position
Warranty:	90 Days (Lasers) 2 Years (730 Days) (LED)

Auto Sensing Voltage: *This fixture contains a automatic voltage switch, which will auto sense the voltage when it is plugged into the power source.*

Please Note: *Specifications and improvements in the design of this unit and this manual are subject to change without any prior written notice.*

ADJ Products, LLC
6122 S. Eastern Ave. Los Angeles, CA 90040 USA
Tel: 323-582-2650 / Fax: 323-725-6100
Web: www.adj.com / E-mail: info@americandj.com

A.D.J. Supply Europe B.V.
Junostraat 2
6468 EW Kerkrade
The Netherlands

Follow Us On:



facebook.com/americandj
twitter.com/americandj
youtube.com/adjlighting

service@adjgroup.eu / www.adj.eu
Tel: +31 45 546 85 00 / Fax: +31 45 546 85 99