



TVL1000 II™

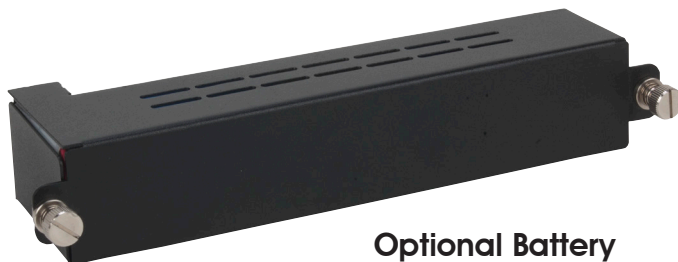
SKU# **TVL613** - **PRELIMINARY SPECIFICATIONS**

The new improved TVL1000 II™ features a low heat, >90CRI, dynamic LED array panel consisting of 200 warm white and 200 cool white LEDs, 30° beam angle, variable manual and DMX controlled color temperature (3,200K - 6,500K) and dimming, adjustable barn doors, magnetic gel/diffuser holder, flicker free operation for broadcast TV and FILM, 3 and 5 pin DMX in/out and linkable power in/out connections, (4) button (2) dial LCD display control panel, 68W max power consumption, and a multi-voltage universal auto switching power supply (100-240v).



FEATURES

- Low Heat, >90CRI, Dynamic LED Array Panel
- (200) Warm White and (200) Cool White LEDs
- 30° Beam Angle
- Variable Color Temperature (3,200K - 6,500K)
- Adjustable Barn Doors
- Magnetic Gel/Diffuser Holder
- Manual and DMX Controlled Color Temp and Dimming
- Flicker Free Operation for Broadcast TV and FILM
- Multiple Unit Power Linking
- 68W Max Power Consumption



Optional Battery



Specifications are subject to change without notice ©Elation Professional

Elation Professional USA | 6122 S. Eastern Ave. | Los Angeles, CA. 90040
323-582-3322 | 323-832-9142 fax | www.elationlighting.com | info@elationlighting.com

Elation Professional B.V. | Junostraat 2 | 6468 EW Kerkrade, Netherlands
+31 45 546 85 66 | +31 45 546 85 96 fax | www.elationlighting.eu | info@elationlighting.eu

PRODUCT SPECIFICATIONS

FEATURES

- Low Heat, >90CRI Dynamic LED Array Panel
- 30° Beam Angle
- Variable Color Temperature Settings (3,200K - 6,500K)
- Adjustable Barn Doors
- Magnetic Gel/Diffuser Holder
- Manual and DMX Controlled Color Temp and Dimming
- Flicker Free Operation for Broadcast TV and FILM
- Multiple Unit Power Linking

SOURCE

(200) Warm White + (200) Cool White LEDs

PHOTOMETRIC DATA

- 340 LUX 32 FC @6.6' (2M) (30° Warm White 3,200K)
- 420 LUX 39 FC @6.6' (2M) (30° Cool White 6,500K)
- 600 LUX 56 FC @6.6' (2M) (30° Full On 4,500-5,000K)

EFFECTS

- Variable Color Temperature (3,200K - 6,500K)
- Electronic Dimming (0% - 100%)

CONTROL / CONNECTIONS

- (3) DMX Channel Modes (2/2/3)
- Manual and DMX Color Temperature and Dimming
- (4) Button and (2) Dial Control Panel
- LCD Menu Display
- 3pin and 5pin DMX In/Out
- Power Link Up To (5) Units

SIZE / WEIGHT

- Length: 15.9" (406mm)
- Width: 13.7" (350mm)
- Vertical Height: 4.4" (113mm)
- Weight: 13.6 lbs. (6.2 kg)

ELECTRICAL / THERMAL

- AC 100-240V - 50/60Hz
- 68W Max Power Consumption
- TA: 40°C Max Ambient Temperature

APPROVALS / RATINGS

- CE Approved
- cETLus Approved
- RoHs Compliant

INSTALLATION

- Rigging: Clamp or Stand (Not Included)
- Working Position: Any (360°)

INCLUDED ITEMS

- 180° Dual / Yoke Bracket
- Power Cable

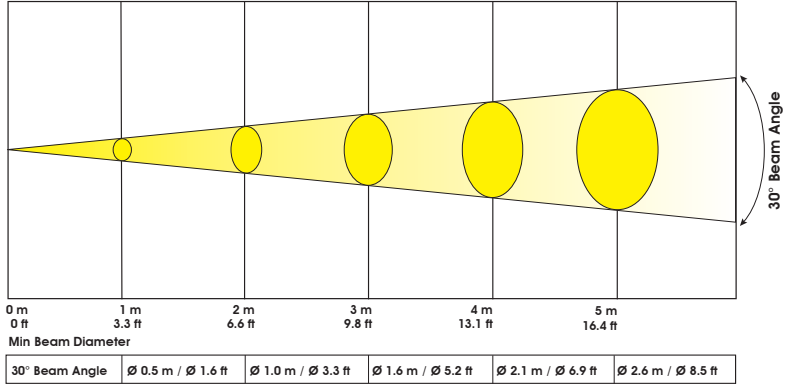


Magnetic Gel/Diffuser Holder

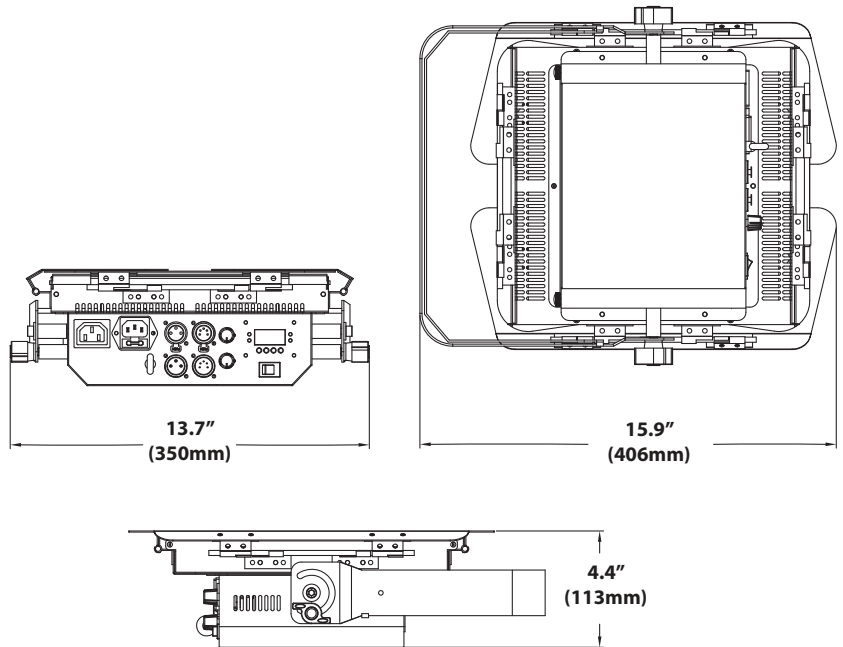
PHOTOMETRIC DATA

WARM WHITE (3200K)	111 FC / 1200 LUX	32 FC / 340 LUX	15 FC / 160 LUX	9 FC / 95 LUX	6 FC / 66 LUX
COOL WHITE (6500K)	143 FC / 1540 LUX	39 FC / 420 LUX	19 FC / 200 LUX	11 FC / 116 LUX	10 FC / 110 LUX
FULL ON (4500-5000K)	204 FC / 2200 LUX	56 FC / 600 LUX	25 FC / 270 LUX	15 FC / 160 LUX	8 FC / 85 LUX

LUX x 0.0929 = FC



DIMENSIONAL DIAGRAMS



OPTIONAL ACCESSORIES

ORDER CODE	ITEM
TRIGGER CLAMP	Heavy Duty Wrap Around Hook Clamp
TVL975	TLV1000 BATTERY
LSF536	Light Shaping Filter 30° 20" x 24" Sheet
LSF537	Light Shaping Filter 20° 20" x 22" Sheet
LSF538	Light Shaping Filter 60° x 1° 20" x 24" Sheet
LSF559	Light Shaping Filter 10° 20" x 24" Sheet
ECCOM-10	Power Link Cables
AC3PDMX10PRO	10 ft. (3m) 3pin PRO DMX Cable
AC3PDMX25PRO	25 ft. (7.5m) 3pin PRO DMX Cable
AC3PDMX50PRO	50 ft. (15.2m) 3pin PRO DMX Cable
AC5PDMX10PRO	10 ft. (3m) 5pin PRO DMX Cable
AC5PDMX25PRO	25 ft. (7.5m) 5pin PRO DMX Cable
AC5PDMX50PRO	50 ft. (15.2m) 5pin PRO DMX Cable



Specifications are subject to change without notice ©Elation Professional

Elation Professional USA | 6122 S. Eastern Ave. | Los Angeles, CA. 90040
323-582-3322 | 323-832-9142 fax | www.elationlighting.com | info@elationlighting.com

Elation Professional B.V. | Junostraat 2 | 6468 EW Kerkrade, Netherlands
+31 45 546 85 66 | +31 45 546 85 96 fax | www.elationlighting.eu | info@elationlighting.eu