

IC-6SX

Source Assignment Panel



The IC-6SX is a 6 IN by 12 OUT routing switch. Six (6) channels of intercom from a master station can be assigned to any of 12 output lines. Output lines can go to almost any type or group of intercom stations, from single channel beltpacks to multi-channel user stations. Users can slide switches on the IC-6SX to different positions and combine or isolate any intercom stations in any combination.

Simple slide switches gives the operator the ability to easily reconfigure the system, when necessary. Moving beltpacks from one conference to another becomes very easy.

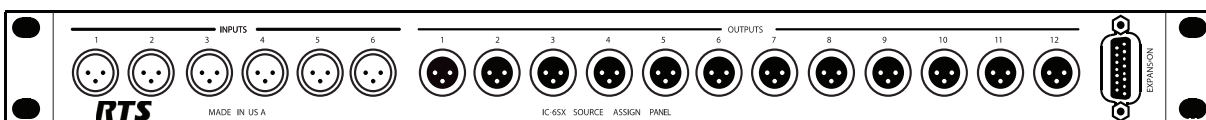
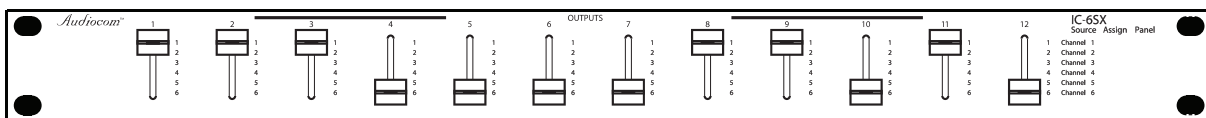
Placing the IC-6SX physically close to the master station, the central operator can receive verbal change requests from any of the intercom users, implement those changes, and then confirm verbally what has been done.

The IC-6SX adds in a degree of flexibility. Unlike a basic system, in which multiple groups of single channel user stations are permanently assigned to each other, the degree of certainty of who hears when a person picks up a headset and speaks in a system is much less.

Features

- Passive source assign panel for channel assignment of up to six (6) intercom channels to 12 positions - 3-pin XLR.
- Balanced Audio can be routed for switching audio sources that are not necessarily intercom related.

Line Drawings

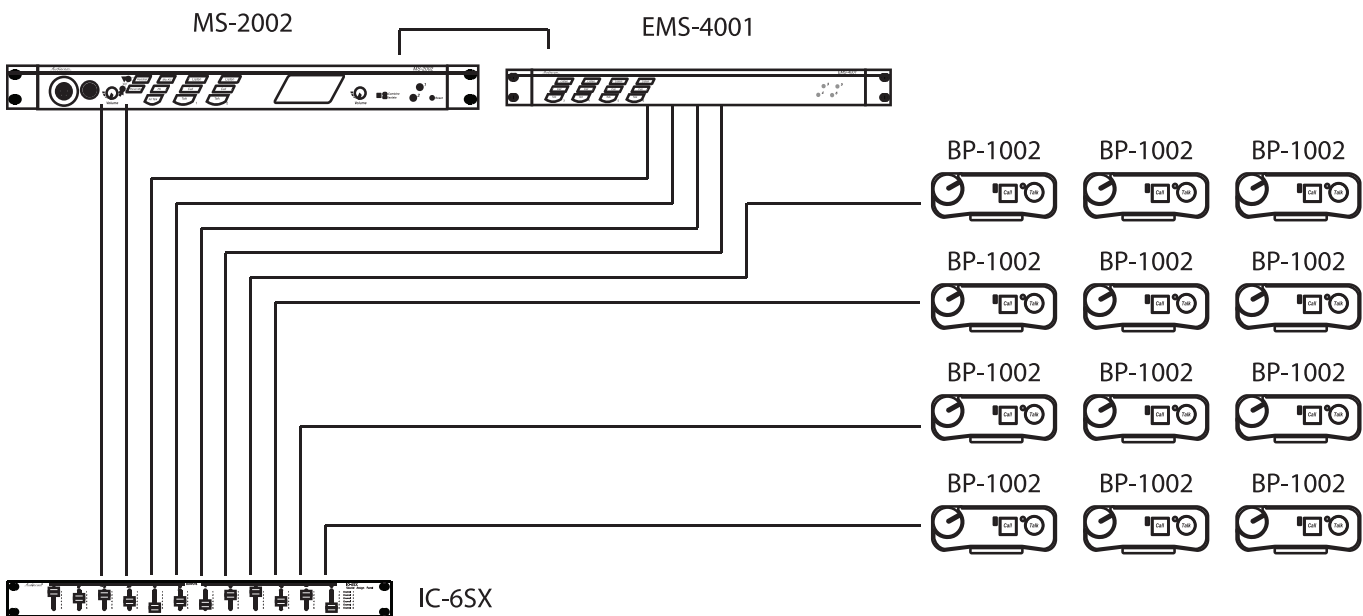


Specifications

General

Dimensions.....	1.75" (44.5 mm) high, 19.0" (482 mm) wide, 3.85" (98 mm) deep
Weight	3.44 lbs (1.55 kg)
Power	N/A
Matrix Type	Passive, Mechanically Switched
Inputs.....	6, Balanced, Female XLR type
Outputs.....	12, Balanced, Male XLR type

System Example



Order Information

- IC-6SX • Source Assignment Panel

For ordering information, contact your regional sales representative at:
<http://rtsintercoms.com/us/intercom/contact>

The specification information is preliminary and is subject to change without notification.
 Brand names mentioned are the property of their respective companies.