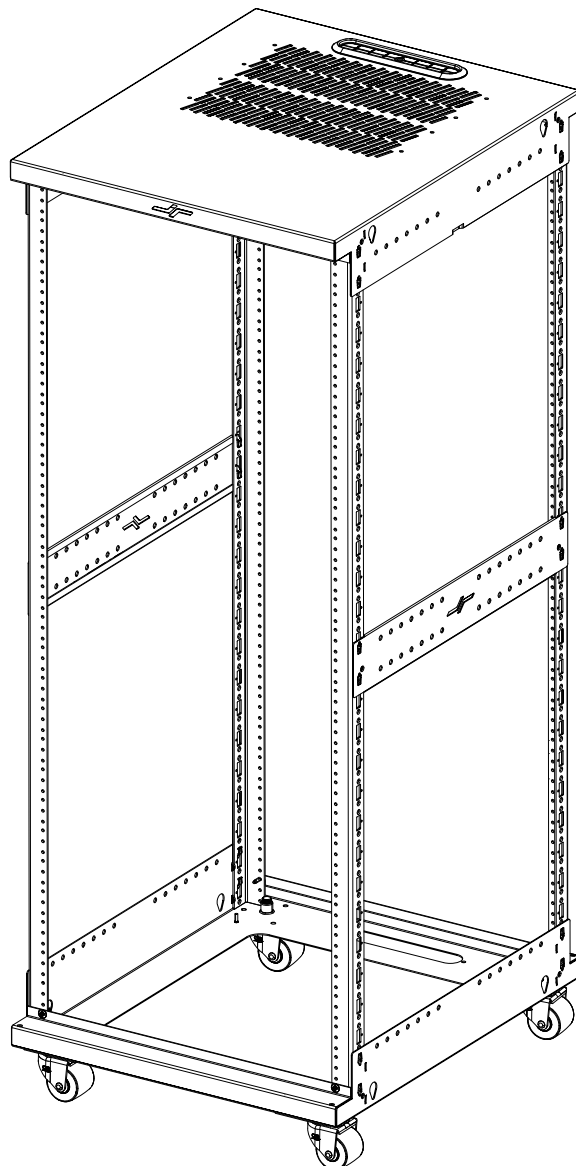


INSTRUCTION SHEET
QAR SERIES
ESSEX QUICK ASSEMBLY RACK



Patent Pending



INSTALLATION
VIDEO



THANK YOU

Thank you for purchasing the Essex QAR Series Quick Assembly Rack.
Please read these instructions thoroughly before installing / assembling this product.

PRODUCT FEATURES

- Knock down rack with innovative snap together design
- Includes casters for easy movement which can be locked
- Optional active cooling

IMPORTANT SAFETY INSTRUCTIONS

- Read these instructions.
- Keep these instructions.
- Heed all warnings.
- Follow all instructions.
- Clean only with dry cloth.
- Only use attachments/accessories specified by the manufacturer.



WARNING: WARNING INDICATES A POTENTIALLY HAZARDOUS SITUATION WHICH, IF NOT AVOIDED, COULD RESULT IN DEATH OR SERIOUS INJURY.



CAUTION: CAUTION INDICATES A POTENTIALLY HAZARDOUS SITUATION WHICH, IF NOT AVOIDED, MAY RESULT IN MINOR OR MODERATE INJURY.

IMPORTANT WARNINGS AND CAUTIONS!



WARNING! Failure to read, understand and follow the following information can result in serious personal injury, damage to the equipment or voiding of the warranty.



CAUTION: All installation and assembly steps must be performed by qualified personnel.



CAUTION: Ensure that the wall/floor has a structural load capacity that will support the weight of the cabinet fully loaded with equipment.



CAUTION: Some parts of the enclosure system may not be effectively bonded to the Protective Earth Terminal (PET). If these parts need to be bonded to the PET it should be done in accordance with Article 250 of the National Electrical Code.



CAUTION: Power cord(s), for fans or other accessories, need to be secured to ensure that they are routed away from pinch points and moving parts.



CAUTION: Do not attempt to unload or move the enclosures alone. Make sure to have sufficient amount of personnel and equipment to safely move this product.



CAUTION: The following parts are not effectively bonded to the protective earth terminal: Rackrails, lace bars, Lever Lock™, shelving, baffles, blank panels, and cable management equipment. If any part needs to be bonded to the protective earth terminal it shall be done in accordance with Article 250 of the National Electrical Code.



CAUTION: To reduce the risk of personal injury and conform to the ul listing these mounting instructions must be followed and proper weight capacity must be observed.

REGULATORY COMPLIANCE

Conforms to applicable UL & CSA standards.

WEIGHT RATINGS

ITEM	DETAILS
QAR WITHOUT CASTERS	800 lbs. Maximum
QAR WITH CASTERS	800 lbs. Maximum

CONSIGNES DE SÉCURITÉ IMPORTANTES

- Lisez attentivement ces instructions.
- Conservez ces instructions à portée de la main.
- Prêtez attention à tous les avertissements.
- Suivez toutes les instructions.
- N'utilisez pas cet appareil à proximité de l'eau.
- Utilisez uniquement les cordons et accessoires recommandés par le fabricant.



AVERTISSEMENT: AVERTISSEMENT INDIQUE UNE SITUATION POTENTIELLEMENT DANGEREUSE SUSCEPTIBLE, SI ELLE N'EST PAS ÉVITÉE, DE PROVOQUER LE DÉCÈS OU UNE BLESSURE GRAVE.



ATTENTION: ATTENTION indique une situation potentiellement dangereuse susceptible, si elle n'est pas évitée, de provoquer une blessure mineure ou modérée.

AVERTISSEMENTS IMPORTANTS ET PRÉCAUTIONS!

AVERTISSEMENT! Ne pas lire, comprendre et suivre les informations suivantes peut entraîner de graves blessures, des dommages à l'équipement ou de la nullité de la garantie.

ATTENTION: Toutes les étapes d'installation et de montage doivent être effectués par du personnel qualifié.

ATTENTION: Assurez-vous que le mur / plancher a une capacité de charge de structure qui supporte le poids de l'armoire entièrement chargé avec l'équipement.

ATTENTION: Certaines parties du système d'enceinte ne peuvent pas être efficacement collées à la terre de protection du terminal (PET). Si ces pièces doivent être liées à l'animal, il doit être fait conformément à l'article 250 du Code national de l'électricité.

ATTENTION: Cordon (s), pour les fans ou d'autres accessoires, doivent être garantis afin de s'assurer qu'ils sont acheminés loin des points de pincement et des pièces mobiles.

ATTENTION: N'essayez pas de décharger ou de déplacer les enceintes seules. Assurez-vous d'avoir suffisamment de personnel et de matériel à déplacer en toute sécurité de ce produit.

ATTENTION: Les pièces suivantes ne sont pas effectivement liées à la borne de terre de protection: crémaillères, barres de dentelle, Lever Lock™, étagères, cloisons, panneaux vierges, et des équipements de gestion des câbles. Si une partie doit être liée à la borne de terre de protection, il doit être fait conformément à l'article 250 du Code national de l'électricité.

ATTENTION: Pour réduire le risque de blessures et sont conformes à la liste UL ces instructions de montage doivent être respectées et la capacité de poids approprié doivent être respectées.

CONFORMITÉ

Le produit répond aux exigences des normes suivantes:

- UL 2416
- CSA C22.2 No.1-04

COTES DE POIDS

ITEM	DETAILS
QAR SANS ROULETTES	800 lbs. Maximum
QAR À ROULETTES	800 lbs. Maximum

TABLE OF CONTENTS

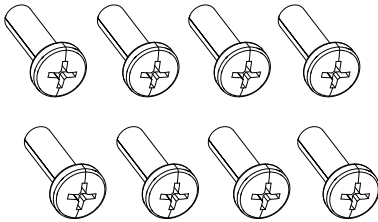
Important Safety Instructions	Pages 2-3
Regulatory Compliance	Pages 2-3
Weight Ratings	Pages 2-3
Tools Required	Page 5
Hardware / Items Supplied	Page 5
Assembly	Page 6
Grounding / Bonding	Page 7
Accessory Mounting Brackets	Page 8
Caster Installation	Page 9

TOOLS REQUIRED

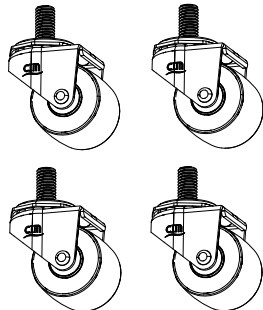
- #2 Phillips Screwdriver
- Rubber Mallet
- 1/4" Hex driver and extension for torx bit
- Tongue and groove pliers

HARDWARE/ITEMS SUPPLIED

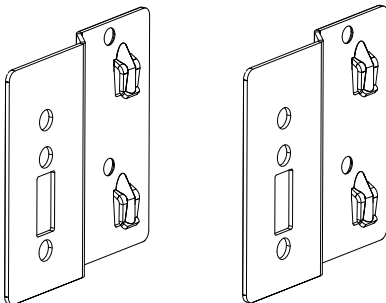
NOTE: Additional hardware may be included which may not be required for your installation.



Phillips Head Screws
10-32 x 3/4"
(Qty 8)



Casters
(Qty 4)

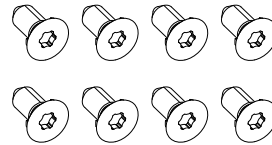


Accessory Mounting Brackets
(Qty 2)

USE FOR ELECTRICAL BONDING OF FRAME



Torx Bit
(Qty 1)



Torx Head Rack Screws
6-32 x 5/16"
(Qty 8)

(For Racks 27 Space and Larger)



Torx Head Support
Bracket Screws
6-32 x 5/16"
(Qty 4)



Torx Head Accessory
Bracket Screws
6-32 x 5/16"
(Qty 4)

ASSEMBLY

- 1) Align rackrail with tabs in bottom and insert as shown. **(FIGURE A)**
- 2) Tap each rackrail with rubber mallet to engage rackrail in bottom tabs. **(FIGURE B)**
- 3) Place top over rackrail and align rackrail with top tabs. **(FIGURE B)**

NOTE: Rackrail must be positioned within inside of top.

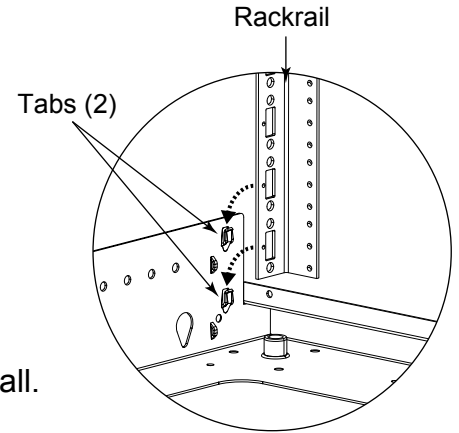


FIGURE A

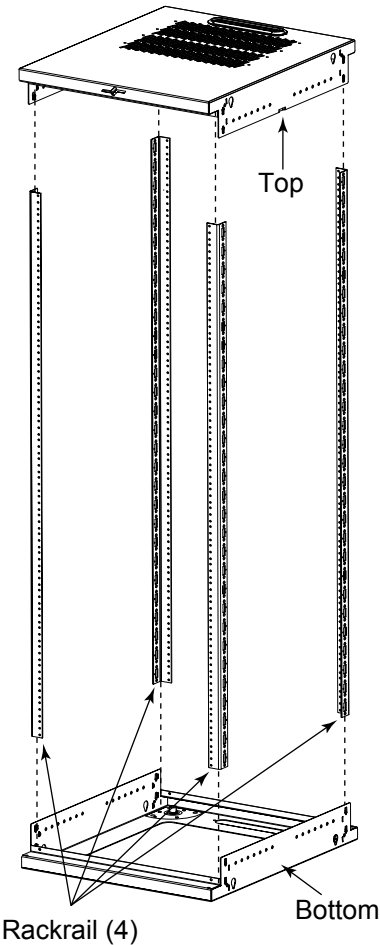


FIGURE B

- 4) Tap top with rubber mallet to fully engage rackrail in top tabs.
- 5) If supplied, align support brackets with rackrail at half-way point and engage tabs as shown. Tap brackets with mallet to install. **(FIGURE C, FIGURE D)**

- 6) Lay assembly on a flat, level surface with front facing up and square frame on all four corners. **(FIGURE E)**

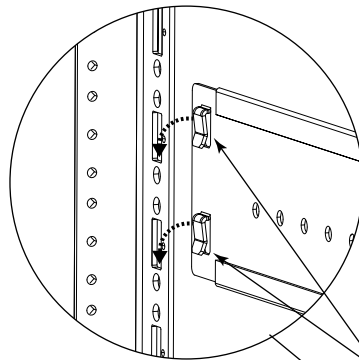


FIGURE C

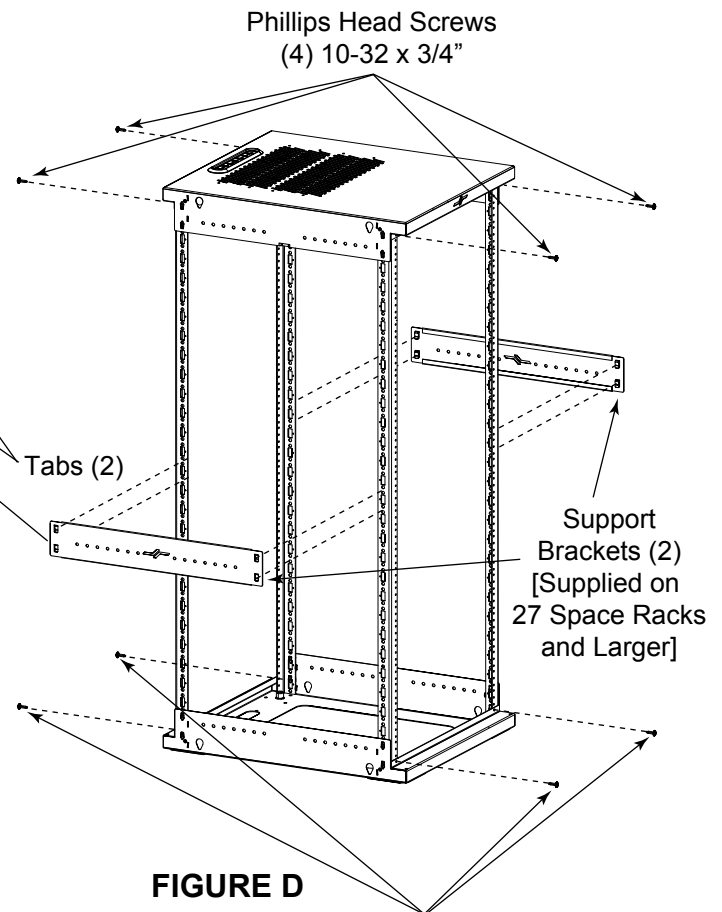
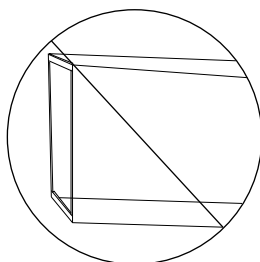
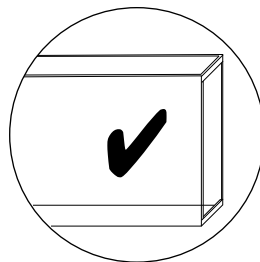


FIGURE D



INCORRECT




CORRECT

FIGURE E

- 7) Begin threads with hand screwdriver and install (4) 10-32 Phillips head screws into top and bottom corners. **(FIGURE D)**

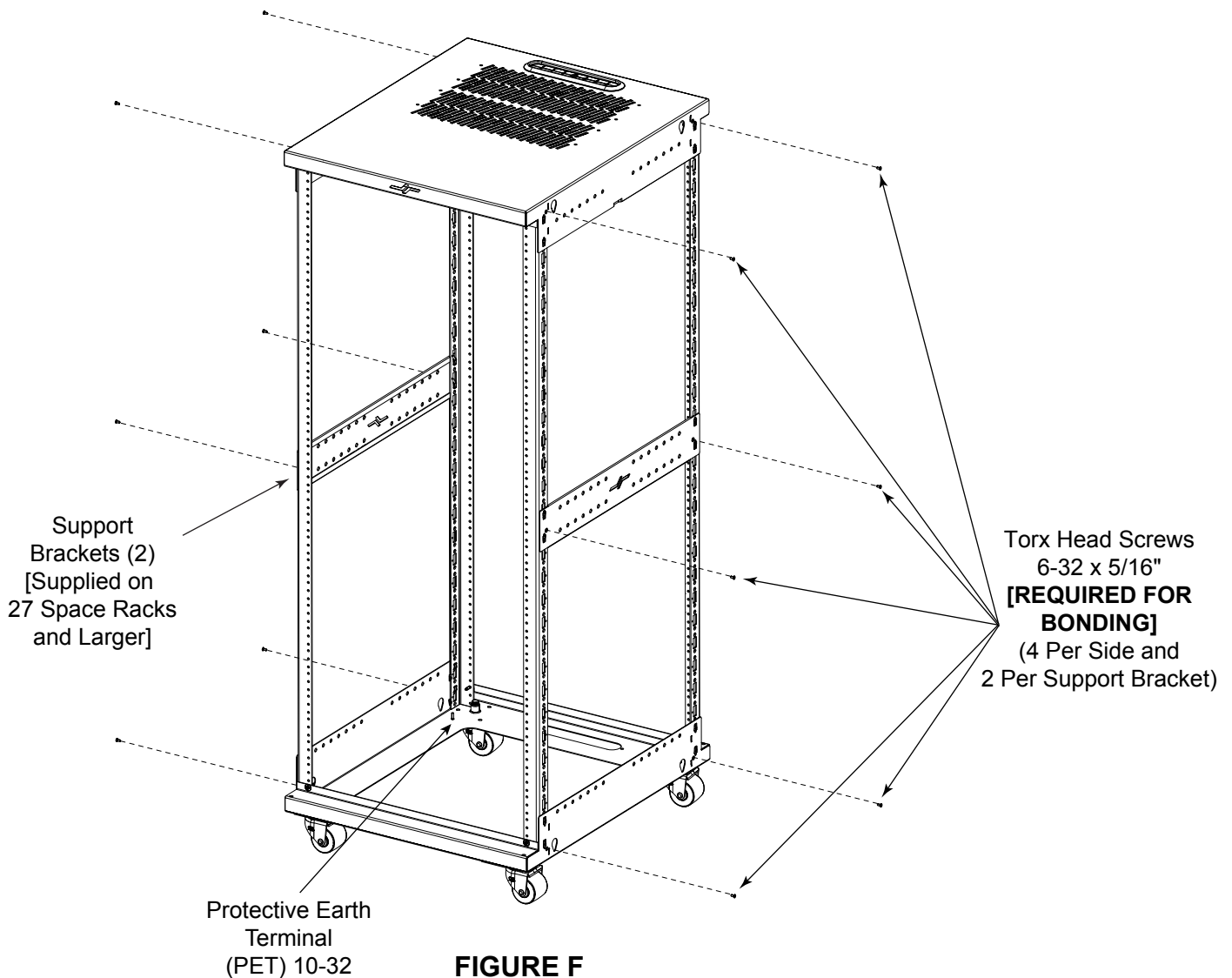
- 8) Flip frame and repeat step #7 for opposite side.

GROUNDING / BONDING

A Protective Earth Terminal (PET) is located in the center of the rack. This terminal is marked with the symbol . Protective earth and bonding connections shall be in accordance with Article 250 of the National Electric Code.

NOTE: The main protective earth ground needs to be the first terminal placed on the PET stud. This terminal needs to be secured on its own with a nut. The bonding wire for the rack can be added to the PET after securing the nut for the main ground.

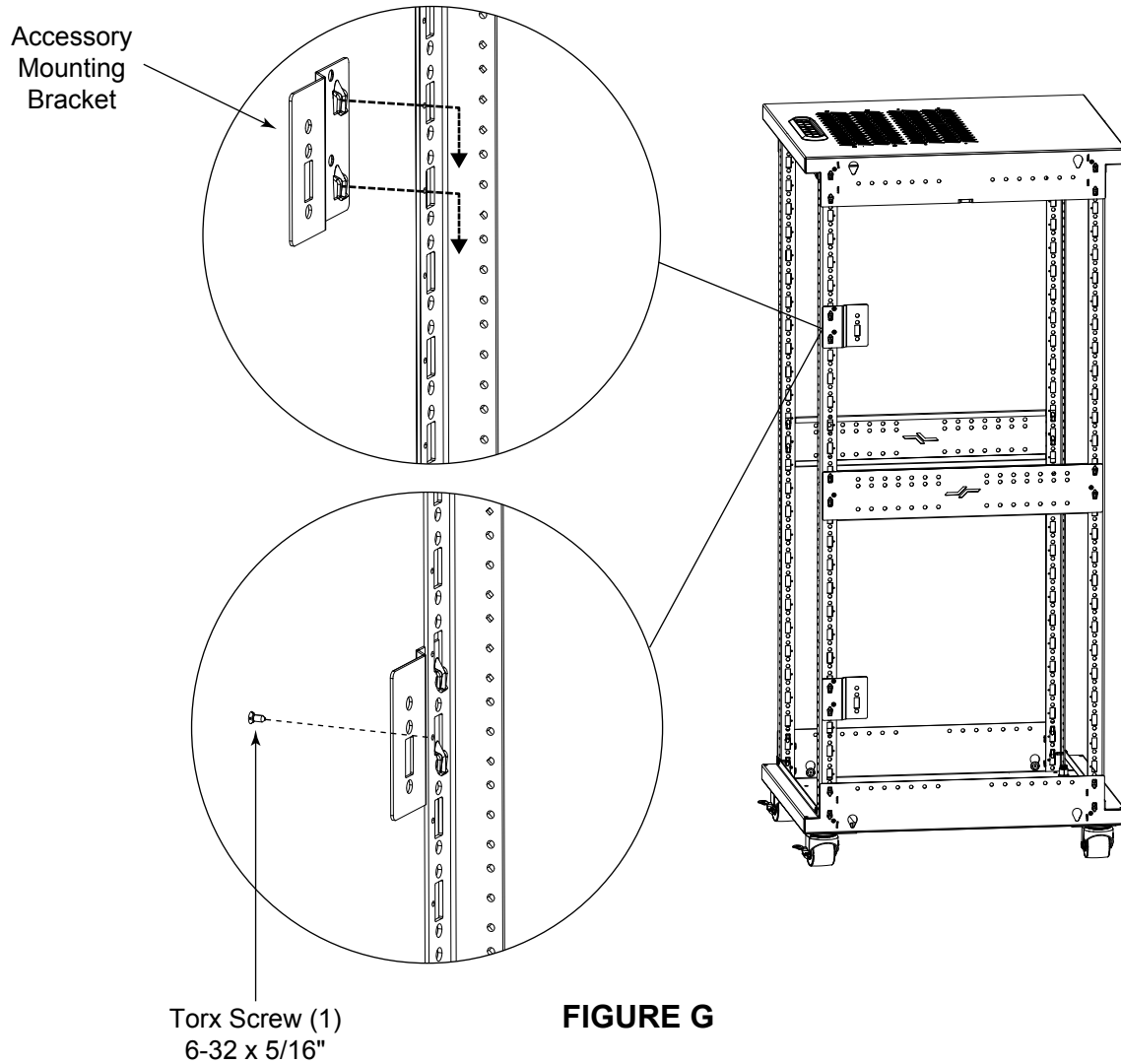
- 1) Torx screws (provided) are required to electrically bond frame components to the PET.
- 2) Racks supplied with support brackets will include an additional (2) grounding screws per support bracket. **(FIGURE F)**



ACCESSORY MOUNTING BRACKETS

- 1) Select location for accessory mounting brackets.
- 2) Insert accessory mounting brackets as shown and secure to rack with (1) Torx head 6-32 x 5/16" screw per bracket. **(FIGURE G)**

NOTE: Mounting brackets can be installed on opposite side by engaging brackets upwards.



CASTER INSTALLATION

1) Thread casters into rack and use tongue and groove pliers to tighten. (FIGURE H)

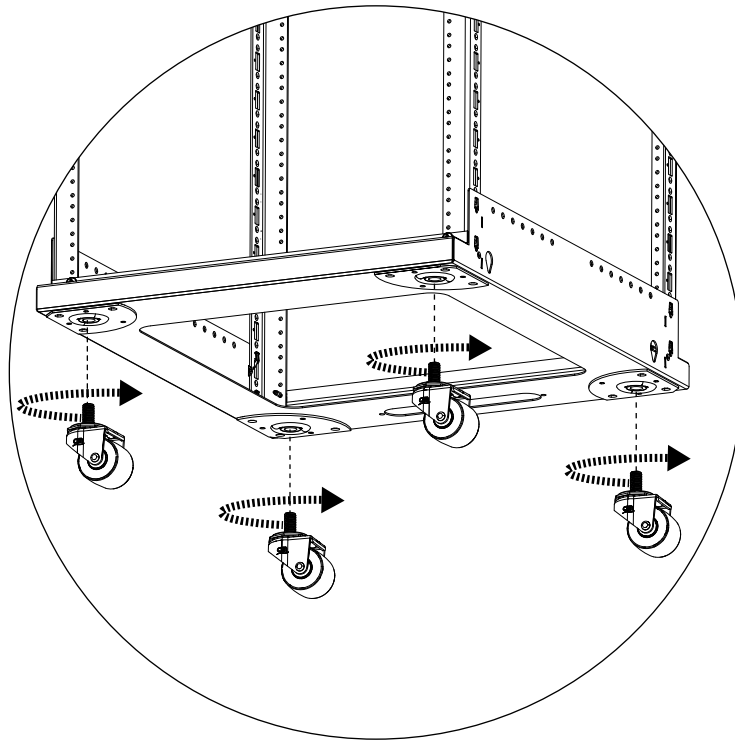


FIGURE H

WARRANTY

Middle Atlantic Products (the "Company") warrants the ESSEX QAR SERIES QUICK ASSEMBLY RACK to be free from defects in material or workmanship for the lifetime of the product.

The Company's entire liability to the purchaser, and the purchaser's (or any other party's) sole and exclusive remedy, under this warranty shall be limited, at the Company's option, to either (a) return of and refund of the price paid for, or (b) repair or replacement at the Company's factory of the products purchased, or any part or parts thereof, which the Company has determined to be defective after inspection thereof at the Company's factory.

This warranty does not cover damage due to acts of God, accident, misuse, abuse or negligence by parties other than the Company, or any modification or alteration of the products. In addition, this warranty does not cover damage due to improper handling, assembly, installation or maintenance.

THIS WARRANTY IS IN LIEU OF ALL OTHER WARRANTIES OF ANY KIND, EITHER EXPRESSED OR IMPLIED, INCLUDING, BUT NOT LIMITED TO, IMPLIED WARRANTIES OF MERCHANTABILITY AND FITNESS FOR A PARTICULAR PURPOSE.

TO THE MAXIMUM EXTENT PERMITTED BY APPLICABLE LAW, IN NO EVENT SHALL THE COMPANY BE LIABLE FOR ANY SPECIAL, INCIDENTAL, INDIRECT, OR CONSEQUENTIAL DAMAGES WHATSOEVER (INCLUDING, WITHOUT LIMITATION, DAMAGES FOR LOSS OF BUSINESS PROFITS, BUSINESS INTERRUPTION OR ANY OTHER PECUNIARY LOSS) ARISING OUT OF THE USE OF THE PRODUCTS PURCHASED, EVEN IF THE COMPANY HAS BEEN ADVISED OF THE POSSIBILITY OF SUCH DAMAGES. THE COMPANY'S LIABILITY TO THE PURCHASER (OR ANY OTHER PARTY) HEREUNDER, IF ANY, SHALL IN NO EVENT EXCEED THE PURCHASE PRICE OF THE PRODUCTS PAID TO THE COMPANY.

Corporate Headquarters

Corporate Voice 973-839-1011 - Fax 973-839-1976 / International Voice +1 973-839-8821 - Fax +1 973-839-4982
middleatlantic.com - info@middleatlantic.com

Middle Atlantic Canada

Voice 613-836-2501 - Fax 613-836-2690 / middleatlantic.ca - customerservicecanada@middleatlantic.ca

Factory Distribution

USA: NJ - CA - IL Canada: ON - BC

At Middle Atlantic Products we are always listening. Your comments are welcome.

Middle Atlantic Products is an ISO 9001 and ISO 14001 Registered Company.