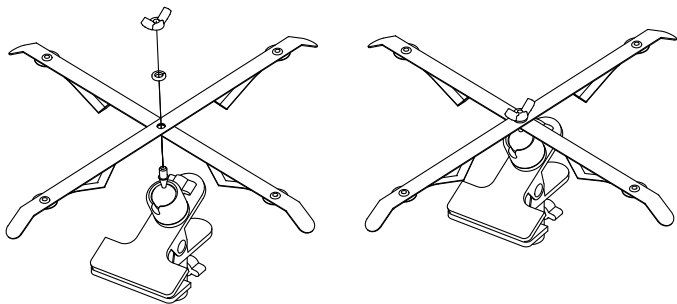




ASSEMBLING THE X-BRACKET BALL HEAD CLIP



1. Begin by placing both X-Bracket Arms on the Ball Head screw in the shape of an 'X'. The angled tips of the X-Bracket Arms should be pointing downward toward the Ball Head Clip.
2. To secure, first place the included washer onto the Ball Head screw. Then thread the wing nut on top of the washer to fasten the X-Bracket to the Ball Head Clip.