



GENERAL INFORMATION

The control you need – right at your fingertips. These EchoConnect™-powered stations are designed to initiate preset, zone, and space controls for your entire system. They communicate efficiently with dimmers, relays and power control panels to provide necessary control for any installation. You can choose your level of control with a variety of button and fader stations created with your solutions in mind.

APPLICATIONS

- Education
- Hospitality
- Healthcare facilities
- Office buildings
- Conference rooms
- Meeting rooms
- Retail

FEATURES

- EchoConnect: two-wire topology-free system gives you the freedom to easily place stations wherever they are needed
- Fastener-Free Faceplate System: no visible means of attachment
- Decorator style face plates available in one-, two-, three- and four-gang options
- Color condition: rear-illuminated buttons that indicate system status using blue for active and amber or off for inactive
- Simple user-legend system supports use of a variety of standard nomenclature, or user-supplied inserts

GENERAL

- UL and cUL LISTED
- CE marked

ORDERING INFORMATION

Product

MODEL	DESCRIPTION
E1001-__	Inspire 1-Button Control Station
E1002-__	Inspire 2-Button Control Station
E1004-__	Inspire 4-Button Control Station
E1006-__	Inspire 6-Button Control Station
E1008-__	Inspire 8-Button Control Station
E1104-__	Inspire 4-Button with Fader Control Station

Enter station color code in __ space provided:

1 = Cream (RAL 9001), 4 = Black (RAL 9004), 5 = Signal White (RAL 9003)

Stations flush-mount (F) in industry-standard gang boxes. (By others)

Related EchoConnect Power Supplies

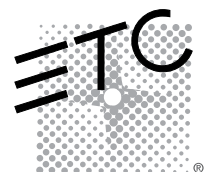
MODEL	DESCRIPTION
E-SPM(-A)	DRd Station Power Module (24V Aux)
E-SPM-WM(-A)	Wall-Mount Station Power Module (24V Aux)
E-SPM-RM(-A)	Rack-Mount Station Power Module (24V Aux)
E-SPS	Room Station Power Supply
E-APS	24V Aux Power Supply, Knockout Mount

Compatible Stations, Sensors and Interfaces

MODEL	DESCRIPTION
ELS	Light Sensor
EOCC	Occupancy/ Vacancy Sensor
EPS05/ EPS10	Preset Stations
EACC	EchoAccess™ Interface
EDMXC	Echo DMX Scene Controller
E-ATC	Echo TimeClock

Compatible Output Products

MODEL	DESCRIPTION
ERC/EDRC	One/Two Zone Relay Controllers
ELD/EDLD	One/Two Zone 0-10V Dimming Controllers
ESSC/EDSSC	One/Two Zone SmartSpace Controllers
ELVD	600-Watt Phase Adaptive Dimmer
ERM CX	Echo Room Controllers
ERP/ERP-FT	Echo Relay Panel/Echo Relay Panel Feedthrough
DRd	Unison® DRd with Echo Control
SR3	Sensor3 Power Control System



SPECIFICATIONS**FUNCTIONAL**

- Button and fader functions include: preset activation/ deactivation, record, raise, lower, zone on/off control and room combine
- Blue button illumination for active status
- Amber or no button illumination for inactive status
- Fader halo-illumination displays actual output level
- Zone or preset control from any station with real-time user toggle

MECHANICAL

- Standard configurations with 1, 2, 4, 6 and 8 buttons or 4 buttons and rotary fader
- Gangable for custom applications
- Enclosed electronics assembly and faceplate included
- Cantilevered switch arrays with removable button caps
- No visible means of attachment
- Flush-mount in industry standard backbox, RACO 690 or equivalent
- Surface-mount backboxes available from ETC upon request
- Constructed of injection-molded, ABS plastic in three RAL standard colors Cream (RAL 9001), Black (RAL 9004), and White (RAL 9003)
- User configurable legends on each button, or use standard legends that come with each station. Field configurable without the use of tools
- Integral LED response indicator for each button with indication of active(blue) and inactive(amber or off) state

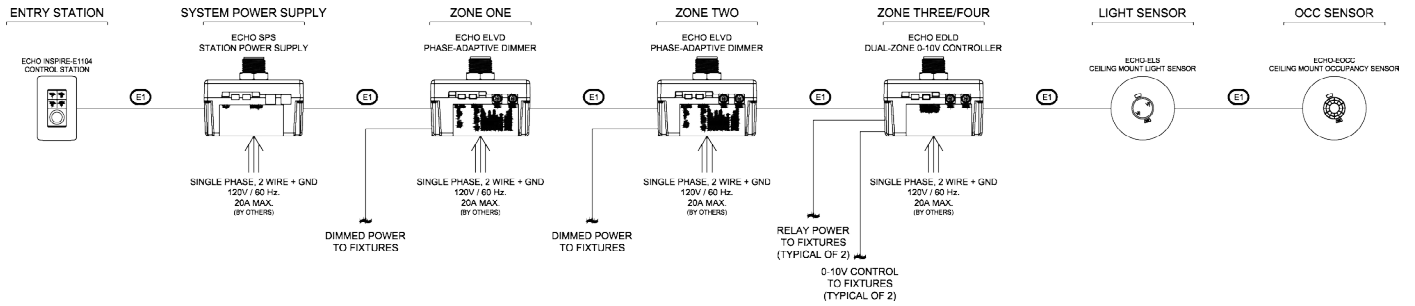
ELECTRICAL

- Connect via the EchoConnect control network via low-voltage Class 2 wiring
- Topology-free wiring over Belden 8471 or equivalent and one #14 ESD drain wire
- Supports optional use of Belden 1583A or equivalent Ethernet control wire when used with Cat5 termination accessories
- Wiring may be bus, loop, homerun or any combination of these
- Supports up to 500 meters (1640 feet) of control wiring
 - Up to 1000' using CAT5
- All station terminations utilize removable connectors
- UL and cUL LISTED, CE marked

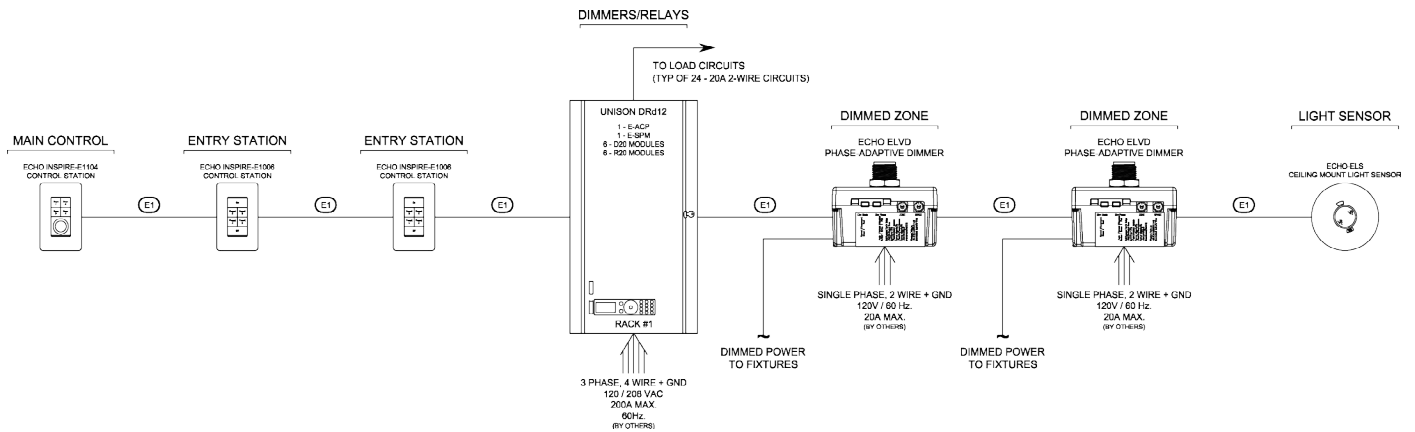
THERMAL

- Ambient room temperature: 0-50°C / 32-122°F
- Ambient humidity: 5-95% non-condensing

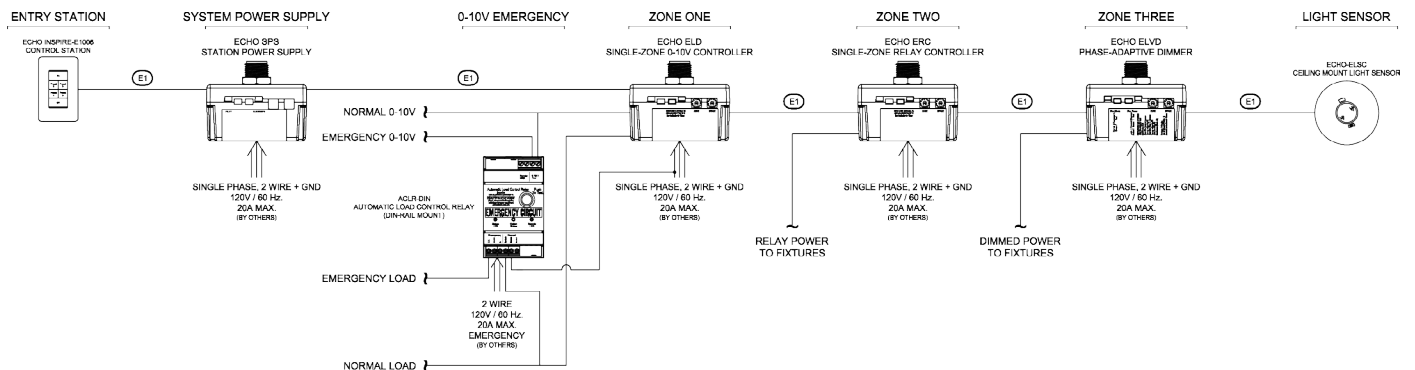
SMALL SYSTEM



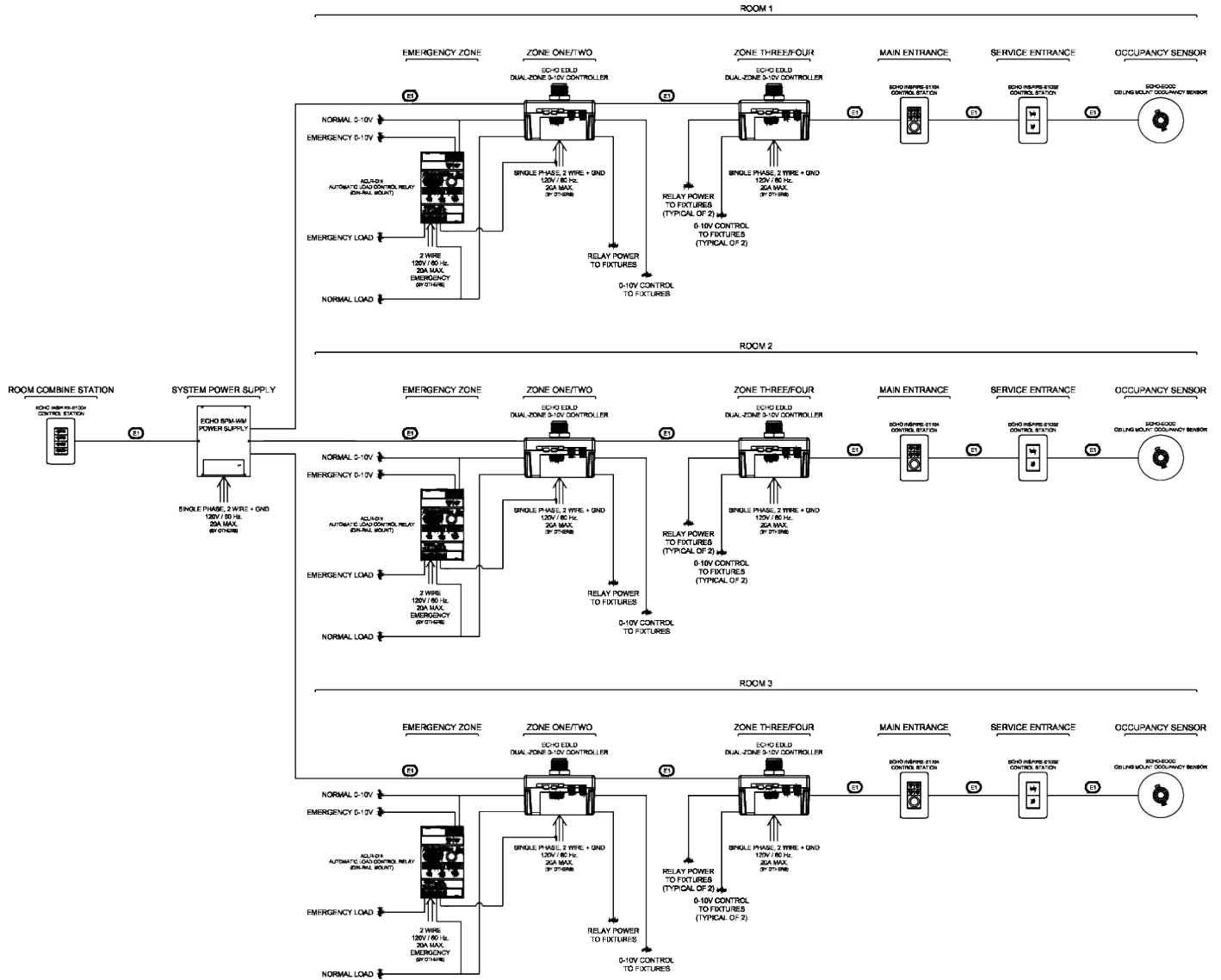
MEDIUM SYSTEM



CONFERENCE ROOM



MEDIUM BALLROOM



PHYSICAL

Product Dimensions

MODEL	HEIGHT		WIDTH		DEPTH	
	inches	mm	inches	mm	inches	mm
E100X	4.52	115	2.76	71	0.30	8
E1104	4.52	115	2.76	71	0.55	14

