

Large Cosmopolitan® Electrol®

Automatic Electric Projection Screen Model



SPECIFICATION DATA

SUGGESTED SPECIFICATIONS: _____ projection screen(s), _____(H) x _____(W), electrically operated 120 volt (60 Hz) not more than 2.4 amp. Shall have specially designed motor mounted inside the roller to be three wire with ground quick reversal type, oiled for life, with automatic thermal overload cut-out, integral gears, capacitor and an electric brake to prevent coasting. To have pre-set but adjustable limit switches to automatically stop picture surface in the "up" and "down" positions. The roller

to be of aluminum. Screen fabric to be flame retardant and mildew resistant fiberglass with black masking borders standard. Bottom of fabric shall be formed into a pocket holding a metal rod. Case to be a two-piece design made of extruded aluminum with a white, lightly textured powder coat finish. End caps to be plastic with integrated junction box. To be complete with three position control switch with cover plate. Screen to be listed by Underwriters' Laboratories.



HDTV (16:9) Format Dimensions (2" Standard Black Drop at Top)

Viewing Area (H x W)		Nominal Diagonal		Overall Length of Case		Approx. Ship. Wt.	
In.	Cm	In.	Cm	In.	Cm	Lbs.	Kg
92" x 164"	234 x 417	188"	478	177½"	451	215	97.5
106" x 188"	269 x 478	216"	549	201½"	512	241	109.3

Wide (16:10) Format Dimensions

Viewing Area (H x W)		Nominal Diagonal		Overall Length of Case		Approx. Ship. Wt.	
In.	Cm	In.	Cm	In.	Cm	Lbs.	Kg
100" x 160"	254 x 406	189"	480	173½"	441	210	95.3
110" x 176"	279 x 447	208"	528	189½"	481	240	108.9
117½" x 188"	298 x 478	222"	564	201½"	512	254	115.2

Video (NTSC 4:3) Format Dimensions (2" Standard Black Drop at Top)

Viewing Area (H x W)		Nominal Diagonal		Overall Length of Case		Approx. Ship. Wt.	
In.	Cm	In.	Cm	In.	Cm	Lbs.	Kg
120" x 160"	305 x 406	200"	508	173½"	441	210	95.3
123" x 164"	312 x 417	210"	533	177½"	451	225	102.1
141" x 188"	358 x 478	240"	610	201½"	512	254	115.2

Square Format Dimensions

Sizes (H x W)		Overall Length of Case		Approx. Ship. Wt.	
In.	Cm	In.	Cm	Lbs.	Kg
12' x 12'	366 x 366	153½"	390	194	88.0
14' x 14'	427 x 427	177½"	451	229	103.9
16' x 16'	488 x 488	201½"	512	263	119.3

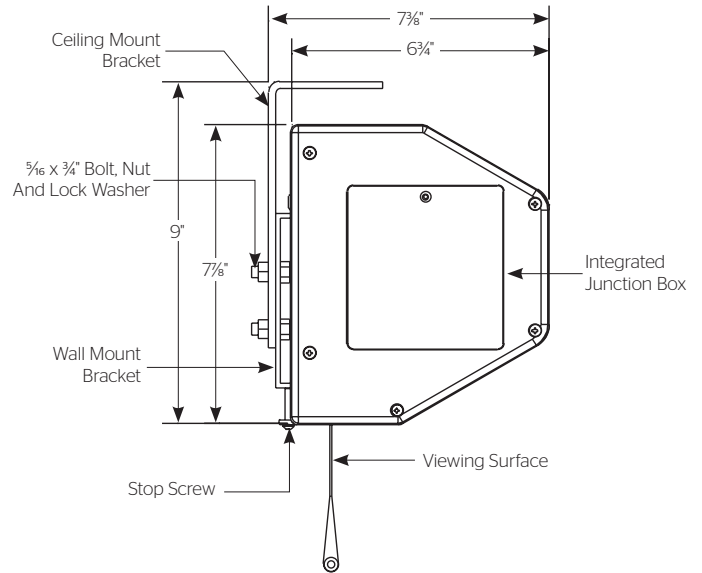
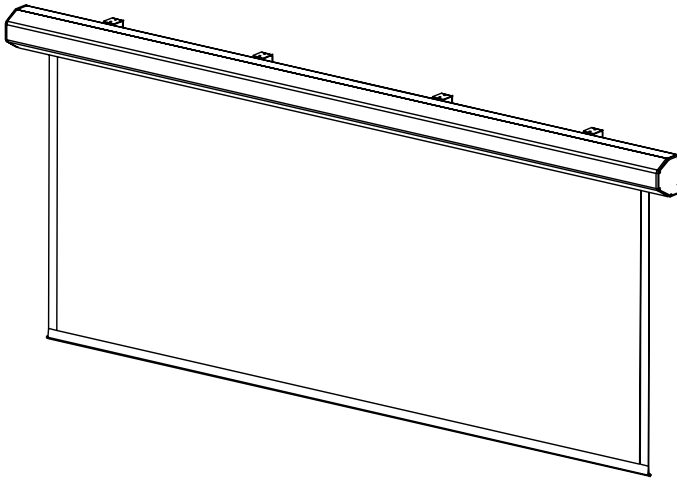
PRODUCT NOTES

- **Matte White:** Seamless in all standard sizes.
- **High Contrast Matte White:** Available in sizes where both dimensions do not exceed 10'.
- Overall case length dimensions +/- 1/4" (6 mm).
- Detail dimensional drawings, wiring diagrams and installation instructions available upon request.
- Specifications subject to change without notice.
- Custom formats and sizes available upon request.

WHEN ORDERING, MARK APPROPRIATE SELECTIONS

1. Select size from charts on the other side.
2. Select viewing surface (All Da-Lite surfaces are GREENGUARD GOLD Certified):
 - Matte White
 - High Contrast Matte White
3. Optional accessories:
 - Extra Drop available to lower picture area more than normal. Specify total drop at top ____ (black or white) or at bottom ____ (black or white). 16' maximum total surface height including picture area.
 - No borders (Black masking borders standard).
 - Single Motor Low Voltage Control System (LVC) - external.
 - Single Motor Low Voltage Control System (LVC) - built-in.
 - Wireless Remote Control for LVC.
 - Radio Frequency Remote
 - Radio Frequency Range Extender available
 - Infrared Remote
 - Key Locking Cover Plate for 120 V Switch or LVC Switch.
 - Key Operated Switch for 120 V only (Note: Cannot be used with LVC).
 - 220 Volt (50 Hz) Motor.
 - Video Projector Interface Control - external.
 - External SCB-100 - RS-232 Serial Control Board
 - NET-100 Ethernet-Serial Adapter
 - Black case (white standard).

PRODUCT VIEWS



A Milestone AV Technologies Brand

3100 North Detroit Street
 Warsaw, Indiana 46582
 P: 574.267.8101 or 800.622.3737
 F: 574.267.7804 or 877.325.4832
 E: info@da-lite.com
 www.da-lite.com

DL-0188 (Rev. 2) 08.14

© 2014 Milestone AV Technologies LLC. Printed in U.S.A.

Project Name: _____	
Architect: _____	Phone: _____
Contractor: _____	Phone: _____
Supervisor: _____	Phone: _____
Supplier: _____	Date: _____
Revised: _____	