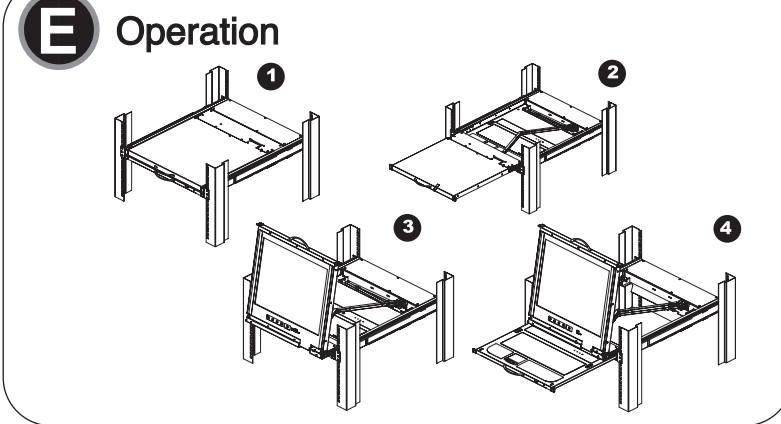
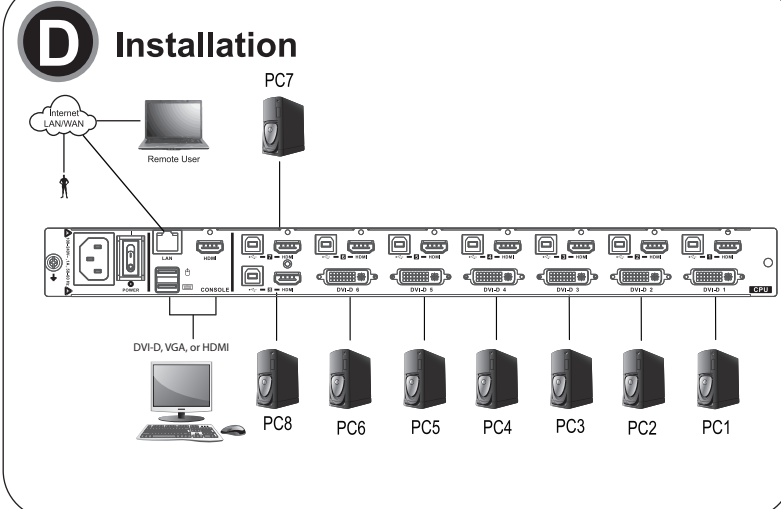
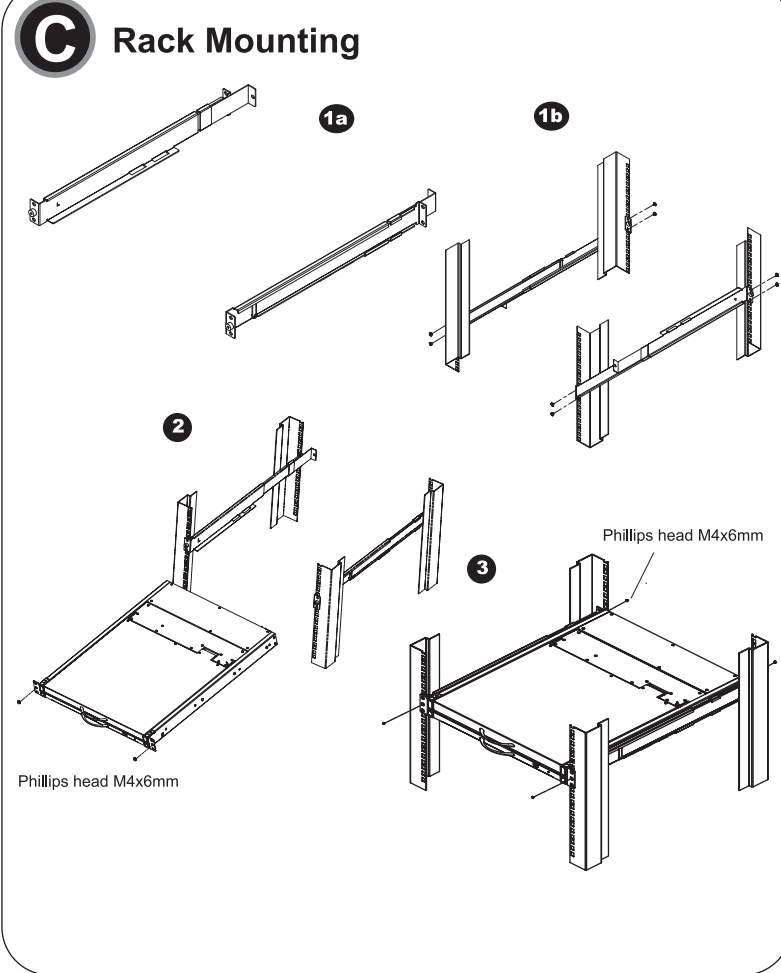
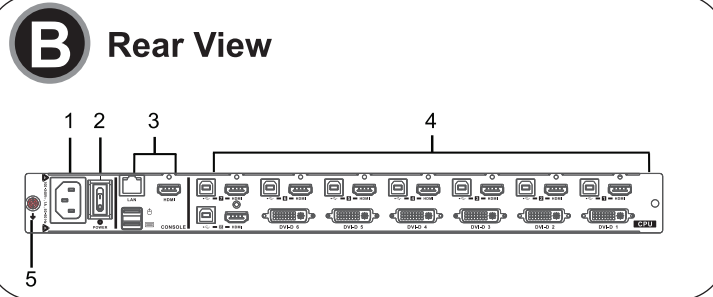
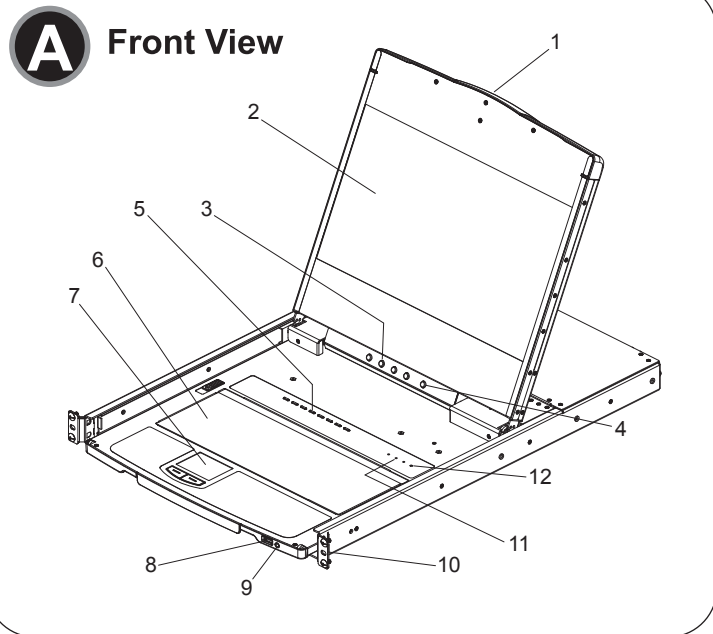
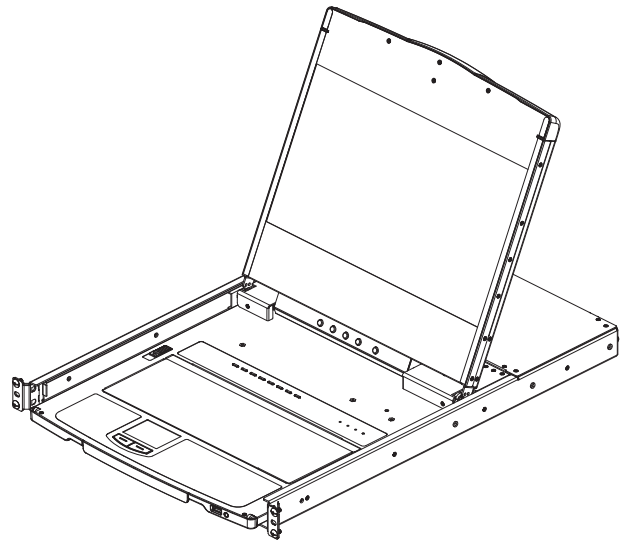


**Quick Start Guide**  
**RM-KB-LCD17KVMHD**  
**DUAL RAIL 8-PORT LCD**  
**KVM SWITCH**



**RM-KB-LCD17KVMHD Rackmount LCD Keyboard Quick Start Guide**

**Package Contents**

- 1 RM-KB-LCD17KVMHD Rackmount LCD Keyboard with Standard Rack Mount Kit
- 2 Custom USB DVI KVM Cable Set
- 1 Power Cord
- 1 Firmware Upgrade Cable
- 1 User Instructions\*

**Requirements**

**LCD Console**

- The integrated LCD monitor's maximum resolution is 1920 x 1080 @60Hz. Make sure that none of the resolution settings of the connected computers exceed the LCD monitor's maximum resolution.

**External Console**

- A VGA, SVGA, MultiSync, DVI, or HDMI monitor capable of displaying the highest resolution provided by any computer in the installation.
- USB keyboard and mouse

**Computers**

The following equipment must be installed on each computer:

- A VGA, SVGA, DVI, HDMI or multisync video graphics card
- Note: The integrated LCD monitor's maximum resolution is 1920 x 1080 @ 60 Hz. Make sure that none of the computer resolution settings exceed the LCD monitor's maximum resolution.
- USB mouse and keyboard ports.

**Hardware Review**

**Front View A**

No.	Component	Description
1	Upper Handle	Pull to slide the LCD module out; push to slide it in. See <i>Operating Precautions</i> , page 15, for details on sliding the LCD display.
2	LCD Module	After sliding the LCD module out, flip up the cover to access the LCD display.
3	LCD Controls	The buttons to control the position and picture settings of the LCD display are located here. See page 16, for details.
4	LCD On / Off Button	Push this button to turn the LCD monitor on and off. The button lights when the LCD monitor is off. <b>Note:</b> The light indicates that only the monitor is off, not the attached KVM switch.
5	Port Selection Buttons and LED	To access a Port on the currently selected Station press its corresponding port selection button. Indicator LEDs are built into the switches: -An On Line LED light to indicate that the computer attached to its corresponding port is up and running. -A Selection LED light to indicate which port has the KVM focus.
6	Keyboard Module	Standard 105-key keyboard
7	Touchpad	Standard mouse touchpad
8	USB Port	The USB port is available to connect a USB peripheral device (flash drive, CD-ROM drive, etc.) to the console, or a USB mouse for users who prefer to use an external mouse.
9	Power LED	Lights (green) to indicate that the unit is receiving power.
10	Rack Mounting Tabs	Rack mounting tabs are located at each corner of the unit.
11	Lock LEDs	The Num Lock, Caps Lock, Scroll Lock LEDs are located here.
12	Reset Switch	Located to the right of the Lock LEDs. Press this recessed switch in with a thin object to perform a system reset.

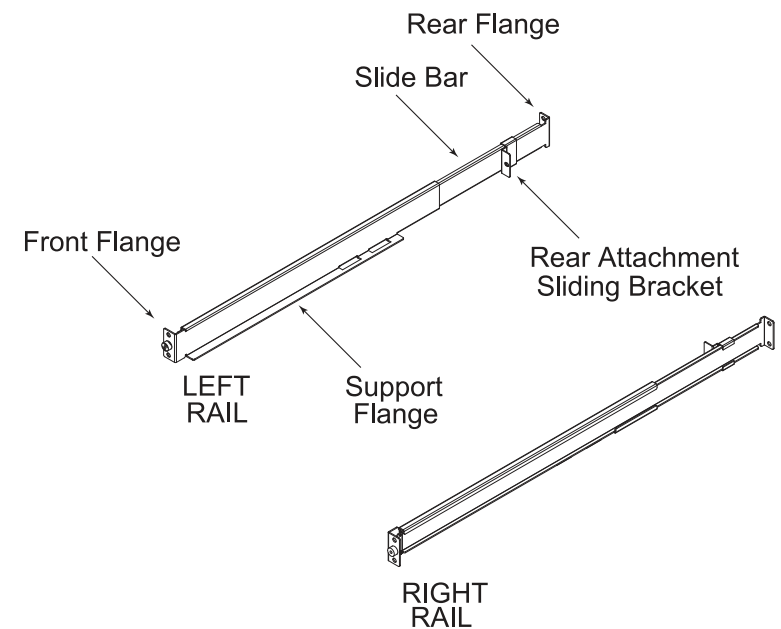
**Rear View B**

No.	Component	Description
1	Power Socket	This is a standard 3 prong AC power socket. The power cord from an AC source plugs in here.
2	Power Switch	This is a standard rocker switch that powers the RM-KB-LCD17KVMHD on and off.
3	External Console Section	For flexibility and convenience, the RM-KB-LCD17KVMHD supports an independent, external, KVM console. The external console's USB keyboard and mouse, DVI, VGA, or HDMI monitor, and audio cables plug in here. An additional HDMI and DVI port are provided.
4	KVM Port Section	The custom KVM cable supplied with the package for linking the RM-KB-LCD17KVMHD to a computer or switch plugs in here. An additional HDMI and DVI port are provided.
5	Grounding Terminal	The grounding wire (used to ground the unit) attaches here.

**Hardware Installation**

**Rack Mounting C**

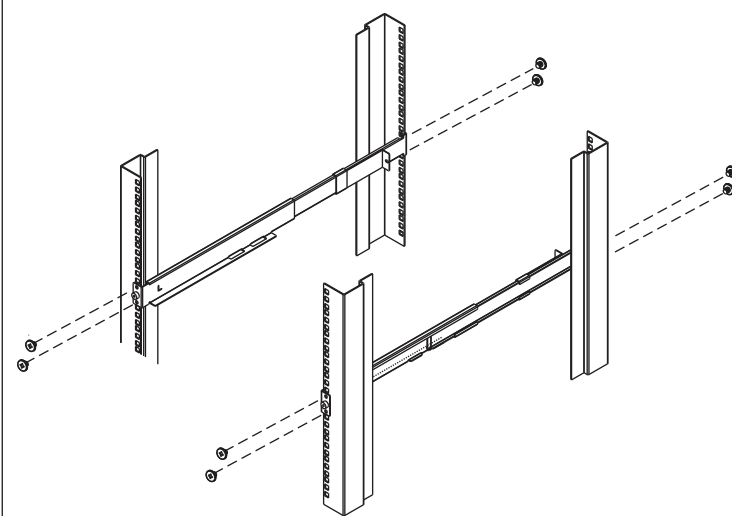
1. Loosen ground screw prior to mounting. When unit is fully installed, tighten ground screw.
2. Attach the left and right mounting rails to the inside of the rack. The flange that supports the unit will be to the inside.



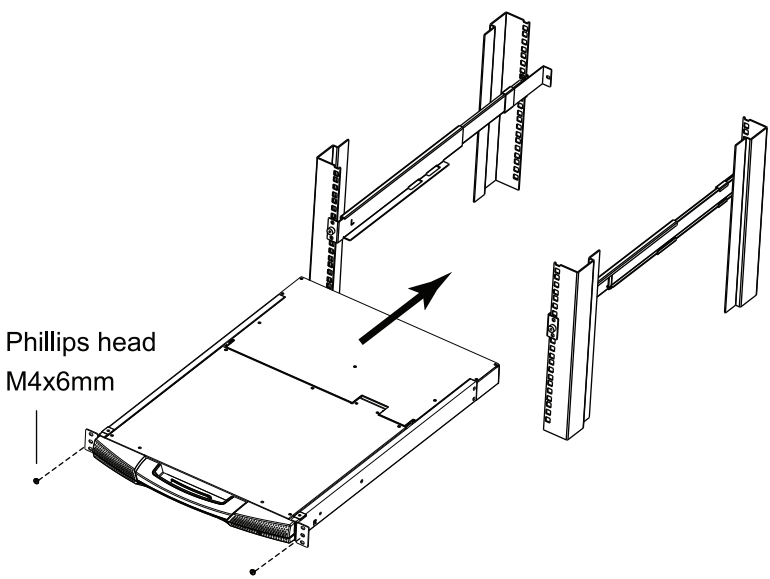
**RM-KB-LCD17KVMHD Rackmount LCD Keyboard Quick Start Guide**

a) Screw the front flanges to the rack first.

b) Slide the bars with the rear flanges toward the rack until the flanges make contact with the rack, then screw the rear flanges to the rack.

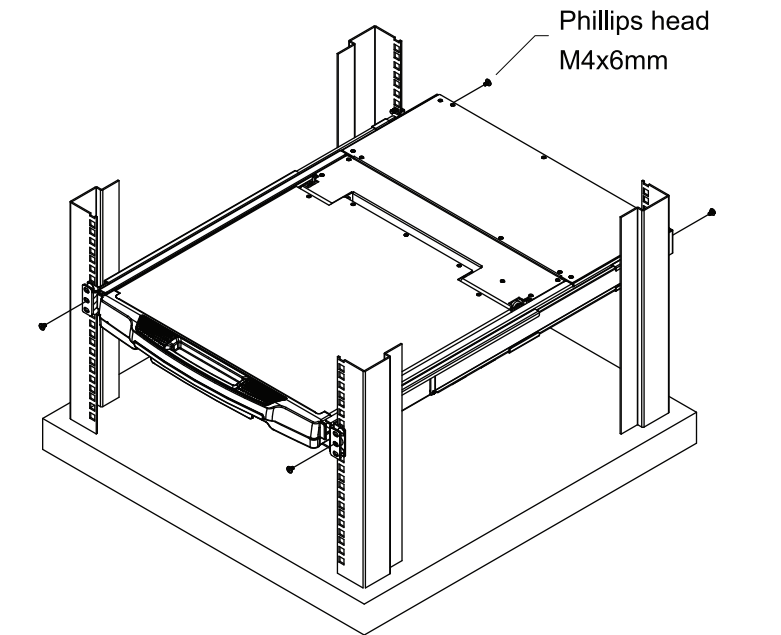


3. Slide the RM-KB-LCD17KVMHD onto the support flanges. Use the screws supplied with this package to loosely attach the front of the RM-KB-LCD17HD to the front of the rack (only tighten the screws part way).



4. Slide the rear attachment sliding brackets along the slide bars until they contact the rear of the RM-KB-LCD17HD, then use the screws supplied with this package to attach the bars to the rear of the RM-KB-LCD17KVMHD (tighten the screws all the way).

5. Slide the RM-KB-LCD17KVMHD open and closed a couple of times to be sure that it is properly aligned and operating smoothly.



6. After determining that the RM-KB-LCD17KVMHD is lined up and operating correctly, finish by fully tightening the front attachment screws inserted in Step 3.

**Installation D**

Refer to the example installation diagram as you perform the following steps:

1. Plug the USB; then DVI, VGA, or HDMI, and audio connectors of a KVM cable (either supplied with the unit, or purchased separately, see *Operating Systems*, page3) into the CPU port on the rear of the RM-KB-LCD17KVMHD.

**Note:** The RM-KB-LCD17KVMHD supports speakers only. It does not support a microphone. Connect the KVM cable's speaker jack (green) to the RM-KB-LCD17KVMHD's audio port.

2. Plug the keyboard, monitor, mouse and audio connectors of the KVM cable into their respective ports in the Console Section of a KVM switch or computer.
3. If you are installing an external console, plug your keyboard, monitor, mouse and speakers into their respective ports in the Console Section of the RM-KB-LCD17KVMHD.

**Note:** The RM-KB-LCD17KVMHD supports a DVI, VGA or HDMI external console monitor, but only one video signal (DVI-D, VGA, or HDMI) can be displayed at a time. The DVI monitor will display a DVI-D signal only.

4. Plug the RM-KB-LCD17KVMHD's power cord into the RM-KB-LCD17KVMHD's power socket and into a power source.
5. Power up your KVM installation.
6. Turn on the power to LCD Console.

**Note:** Input source must match output source.

**RM-KB-LCD17KVMHD Rackmount LCD Keyboard Quick Start Guide**

**Hot Plugging**

The RM-KB-LCD17KVMHD supports *hot plugging* – components can be removed and added to the console by unplugging their cables from the ports without the need to shut down the RM-KB-LCD17KVMHD.

**Powering Off and Restarting**

If it becomes necessary to Power Off the RM-KB-LCD17KVMHD (to upgrade firmware, for example), simply turn off the power to the unit using the rear panel power switch. To restart the RM-KB-LCD17KVMHD, turn the rear panel power switch back on.

**Port Selection**

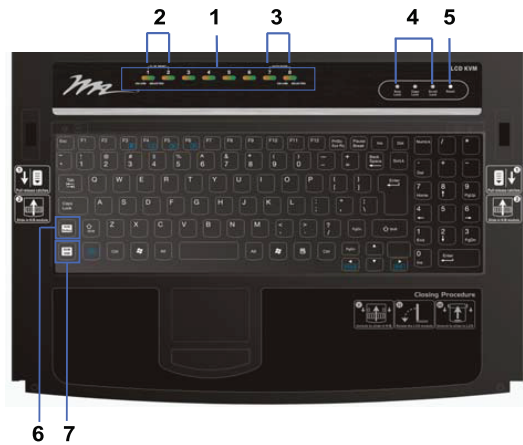
The RM-KB-LCD17KVMHD provides two port selection methods to access the computers on the installation: Manual and an OSD menu system. Manual port switching is discussed below. See Chapter 4, On Screen Display (OSD) Operation and Chapter 5, Keyboard Port Operation for more information.

**USB Peripheral Devices**

The front USB port is available to connect a USB peripheral device (flash drive, CD-ROM drive, printer, etc.) to the RM-KB-LCD17KVMHD. Any computer connected to the RM-KB-LCD17KVMHD can access the USB peripheral on a one-at-a-time basis.

The USB peripheral device is automatically detected on target computers when switching ports on the RM-KB-LCD17KVMHD. For example, when switching from a computer connected to port 1 to a computer connected to port 2, the peripheral device automatically disconnects from the computer on port 1 and connects to the computer on port 2.

**Keyboard Operation**



No.	Component	Description
1	Port Selection Buttons and LED 1-8	Port selection Press the Button number which you want to access port. Port LEDs The Port LEDs provide status information about their corresponding KVM Ports. • ORANGE: The computer attached to the port is On Line. • GREEN: The computer attached to the port is On Line and Selected.
2	Port Selection Buttons 1+ 2	Keyboard/ Mouse Reset. (Press the 2 buttons together about 5 sec.)
3	Port Selection Buttons 7+ 8	Auto Scan mode switching. (Press the 2 buttons together about 2 sec.) Auto Scan automatically switches among all the KVM ports that are accessible to the user at regular intervals, so that their activity can be monitored automatically.

No.	Component	Description
4	Lock LEDs	The Num Lock, Caps Lock, Scroll Lock LEDs
5	Reset	Press the recessed switch in with a thin object to perform a system reset.
6	KVM Hotkey	Invoking KVM Hotkey mode. • [KVM Hotkey] + [A] [Enter] or [KVM Hotkey] + [Q] [Enter]: Invokes Auto Scan mode. • [KVM Hotkey] + [B]: Toggles the beeper on or off.
7	KVM OSD	

**Hotkey Summary Table**

[KVM Hotkey] [A] [Enter] or [Q] [Enter]	Invokes Auto Scan mode
[KVM Hotkey] [A] [Enter] or [Q] [Enter]	Invokes Auto Scan mode
[KVM Hotkey] [B]	Toggles the beeper on or off.
[Scroll Lock] [Scroll Lock]	Invokes OSD Hotkey.
[Ctrl] [Ctrl]	[Scroll Lock] [Scroll Lock] is default setting.
[Alt] [Alt]	You can optionally change the OSD hotkey on OSD or Web GUI <i>User Preference</i> (see Chapter 5, <i>OSD Operation</i> or Chapter 8, <i>User Preference, OSD Hotkey</i> )
[Shift] [Shift]	
[Print Screen] [Print Screen]	