

## SRM1550



The Mackie SRM1550 powered subwoofer is designed from the ground up to be the perfect match for SRM450 and SRM350 speakers, delivering 1200W of raw power paired with a custom high-output 15" woofer for powerful room-shaking performance.

The road-worthy internally reinforced Poplar cabinet delivers on the "Built-Like-A-Tank" legacy that the SRM series is known for and its front ported design provides maximum punch and low-frequency extension.

The SRM1550 features stereo XLR inputs, full-range and high-pass outputs plus a variable digital crossover that includes presets for the Mackie SRM350 and SRM450.

Get the powerful low end you need from the subwoofer built on the proven SRM legacy.

### FEATURES:

- 1200W of power paired with a 15" custom high-output woofer with 3" voice coil delivers gig-level volumes with room to spare
- Same cosmetic design as the renowned SRM450
- Road-ready "Built-Like-A-Tank" design
- 18 mm, internally reinforced poplar cabinet and steel grille
- Front ported for maximum low-frequency extension and punch
- Stereo XLR inputs plus stereo XLR full-range and high-pass outputs
- Integrated digital crossover with variable control and presets for Mackie SRM350 and SRM450 loudspeakers
- Smart Protect™ DSP kicks in to protect your investment when things get pushed a little too hard
- Built-in cup for easily pole-mounting full-range loudspeakers
- Extremely portable design weighing in at only 65.5 lb / 29.7 kg



**Like us**



**Follow us**



**Watch our dang videos**

**SRM1550****1200W 15" Portable  
Powered Subwoofer**

## SRM1550 SPECIFICATIONS

### Acoustic Performance

Frequency Response (-3 dB)	50 Hz – 120 Hz
Frequency Response (-10 dB)	40 Hz – 180 Hz
Max peak SPL	131 dB
Crossover Point	115 Hz plus alignment delay [SRM350] 110 Hz plus alignment delay [SRM450] 60 Hz – 120 Hz [Variable]
Slope	4th order HP, 4th order LP

### Transducer

Woofer Diameter	15.0 in / 381 mm
Voice Coil Diameter	3.0 in / 76 mm
Subwoofer Diaphragm Material	Paper
Magnet Material	Ferrite

### Power Amplifier

Rated Power	600 watts rms 1200 watts peak
Rated THD	< 1%
Cooling	Convection
Design	Class D

### Input / Output

Input Type	Female XLR balanced differential (stereo left / right)
Input Impedance	20 k $\Omega$ balanced, 10 k $\Omega$ unbalanced
Full Range Outputs	Male XLR balanced (parallel with inputs – mono)
High Pass Outputs	Male XLR balanced

### Line Input Power

US detachable line cord	100 – 120 VAC, 50 – 60 Hz, 115W
EU detachable line cord	200 – 240 VAC, 50 – 60 Hz, 115W
AC Connector	3-pin IEC 250 VAC
Power Supply Type	Switchmode
Operating Temperature [extended ambient temperature]	0 - 40 °C 32 - 104 °F

### Safety Features

Input Protection	Peak and RMS limiting, power supply and amplifier thermal protection
Display LEDs	Defeatable front power ON, High Pass Mode, Input / Limiter Signal

### Construction Features

Cabinet	18 mm Poplar plywood
Finish	High durability black paint
Handles	One on each side
Grille	Powder-coated 16 gauge steel

### Mounting Method

SRM1550 subwoofers are designed to sit on the floor or stage. They are NOT designed to be pole-mounted or suspended. The cabinet has no rigging points and is not suitable for rigging. Never attempt to suspend an SRM subwoofer by its handles.

**SRM1550****1200W 15" Portable  
Powered Subwoofer****SRM1550 SPECIFICATIONS CONT...****Physical Properties (packaged product)**

Height	22.8 in / 579 mm
Width	25.5 in / 648 mm
Depth	31.3 in / 795 mm
Weight	72.0 lb / 32.7 kg

**Physical Properties (product)**

Height	20.3 in / 516 mm
Width	20.0 in / 508 mm
Depth	26.5 in / 673 mm
Weight	65.5 lb / 29.7 kg

**Options**

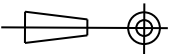
SRM1550 Subwoofer Cover	P/N 2036809-41
SPM200 Loudspeaker Pole Mount	P/N 2035170-01

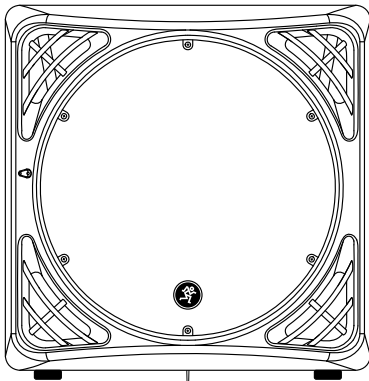
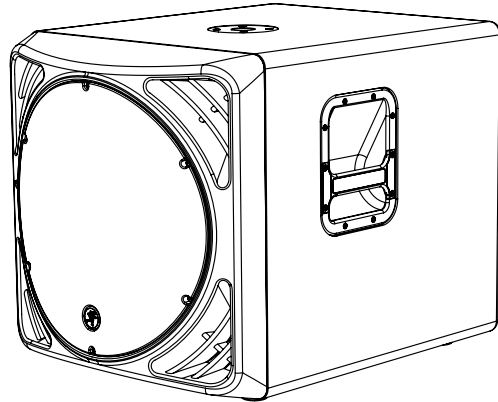
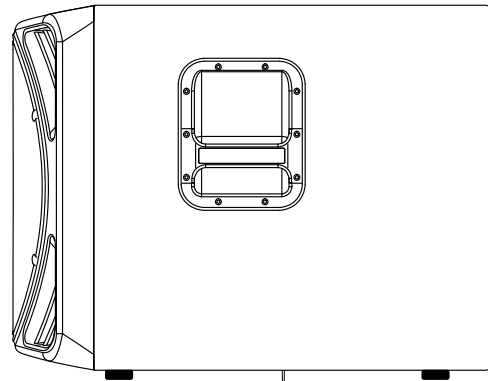
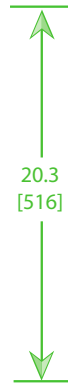
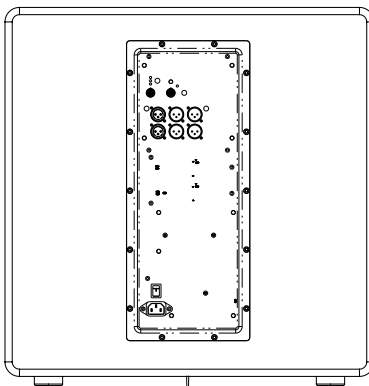
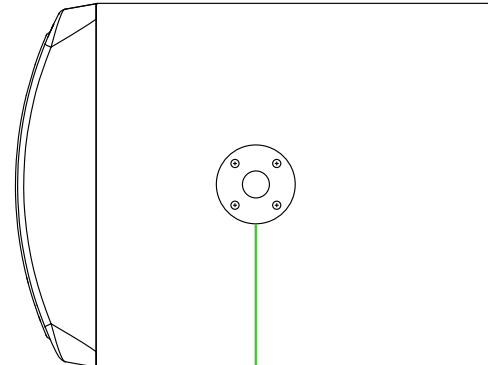
**Ordering Information**

SRM1550 1200W 15" Portable Powered Sub, US	P/N 2046831-00
SRM1550 1200W 15" Portable Powered Sub, EU	P/N 2046831-01
SRM1550 1200W 15" Portable Powered Sub, UK	P/N 2046831-03
SRM1550 1200W 15" Portable Powered Sub, AU	P/N 2046831-04
SRM1550 1200W 15" Portable Powered Sub, CN	P/N 2046831-05
SRM1550 1200W 15" Portable Powered Sub, BZ (120V)	P/N 2046831-06
SRM1550 1200W 15" Portable Powered Sub, BZ (230V)	P/N 2046831-16

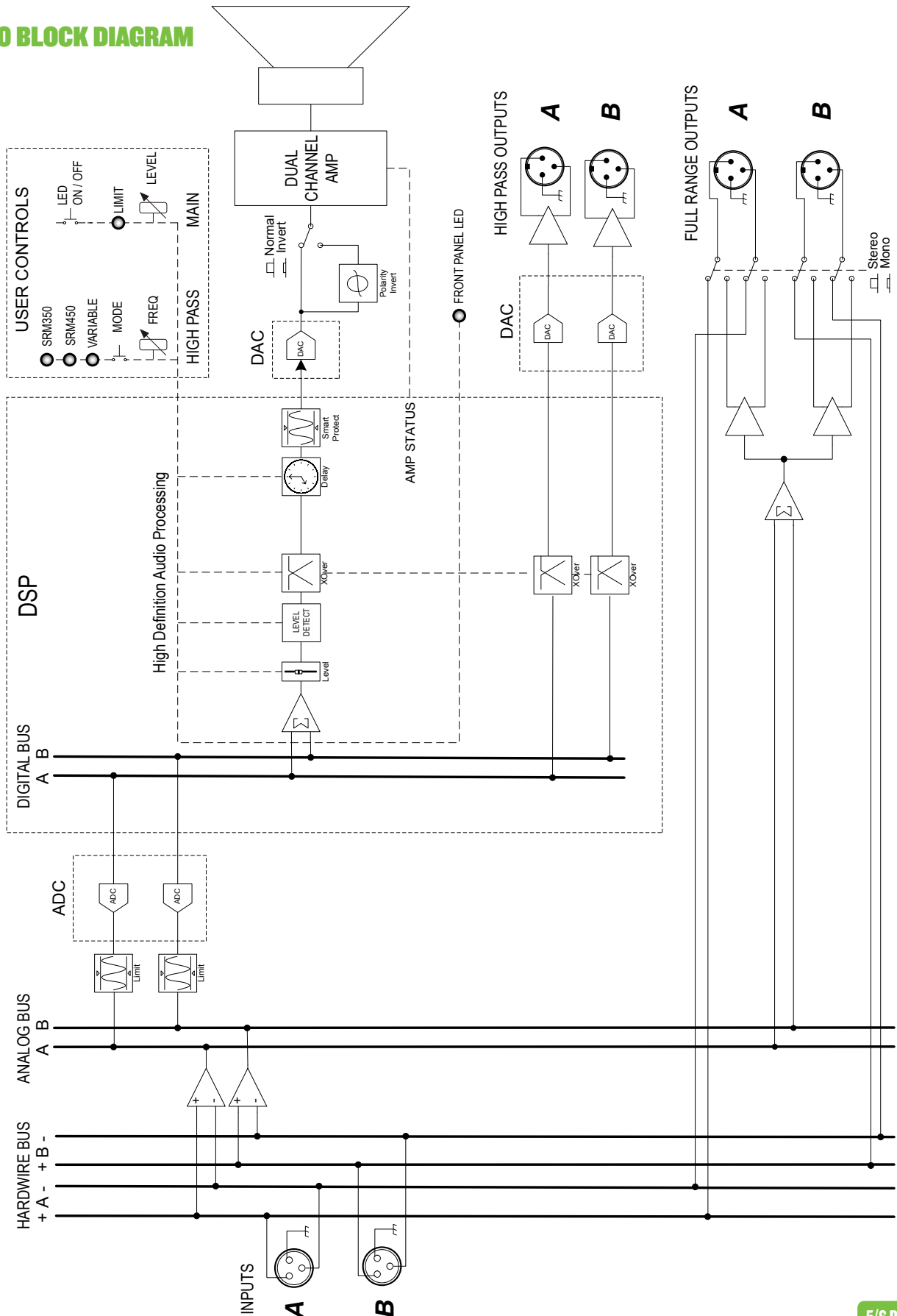
**SRM1550 SUBWOOFER DIMENSIONS**
**NOTES:**

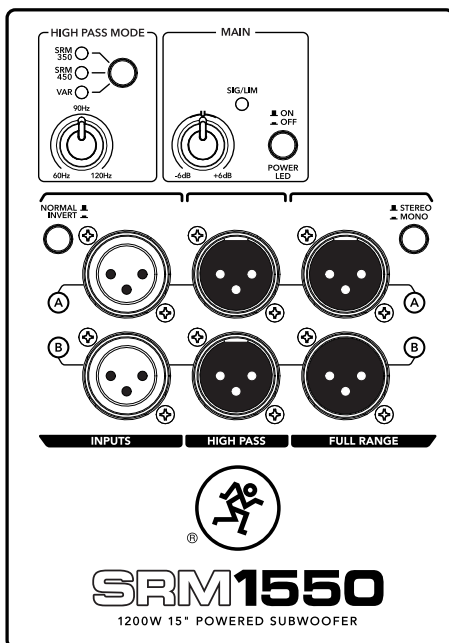
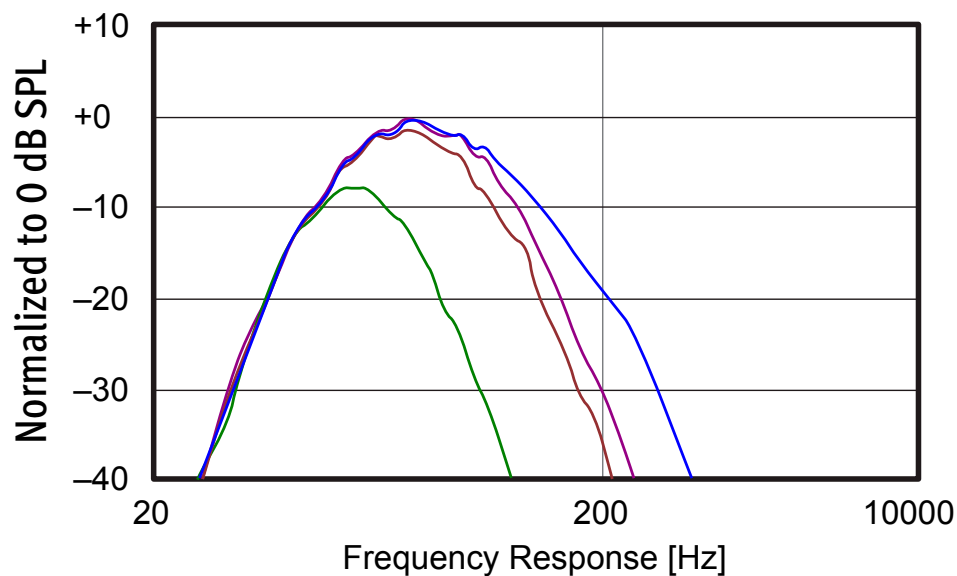
1. WEIGHT APPROX. 65.5 lb [29.7 kg].
2. SHIPPING WEIGHT APPROX. 72.0 lb [32.7 kg].

<p>THIRD ANGLE PROJECTION</p> 	<p>UNLESS OTHERWISE SPECIFIED: ALL DIMENSIONS ARE IN INCHES DUAL [MM] DIMENSIONS FOR REF ONLY</p> <p>TOLERANCE IN INCHES LINEAR <math>\pm 0.13</math> in / <math>\pm 3.3</math> mm ANGLES <math>\pm 1^\circ</math></p> <p>(X.XX) = REF DIMS NO TOLERANCE IMPLIED</p> <p>TSC = THEORETICAL SHARP CORNER</p> <p>DIMENSIONS ACROSS CENTERLINES TO BE SYMMETRICAL</p>
<p>THE INFORMATION CONTAINED HEREIN IS PROPRIETARY AND CONFIDENTIAL PROPERTY OF LOUD TECHNOLOGIES, INC. ALL RIGHTS RESERVED</p>	


**FRONT**

**SIDE**

**BACK**

**Pole Cup**
**TOP**

### SRM1550 BLOCK DIAGRAM



**SRM1550 REAR PANEL**

**SRM1550 FREQUENCY RESPONSE**

**LEGEND**

- SRM350
- SRM450
- VARIABLE : 60 Hz
- VARIABLE : 120 Hz

LOUD Technologies Inc. is always striving to improve our products by incorporating new and improved materials, components, and manufacturing methods. Therefore, we reserve the right to change these specifications at any time without notice.

"Mackie" and the "Running Man" figure are registered trademarks of LOUD Technologies Inc. All other brands mentioned are trademarks or registered trademarks of their respective holders, and are hereby acknowledged.

©2016 LOUD Technologies Inc. All rights reserved.

Electronic files for this product are available at:

[www.mackie.com](http://www.mackie.com)

Specification Sheet	SRM1550_SS.PDF
Owner's Manual	SRM1550_OM.PDF



www.mackie.com  
16220 Wood-Red Road NE  
Woodinville, WA 98072 USA  
800-898-3211, Fax 425-487-4337

Part No. SW1146 Rev. A 01/16