

RE12W

A wall mounted rack system lets you manage components for networking, automation, hi-fi and home theater, even when floor space is at a minimum. The rugged design is secure enough for commercial installations and compact enough for residential use. Customize the interior with standard shelf accessories specific to the project at hand.



PRODUCT SPECIFICATIONS*

Supports: 120 lbs

Mounting: 15.75" on Center Width
and 19.75" on Center Height

Product dimensions: 23.4" w x 21.9" d x 25.3" h

Product weight: 61.6 lbs

Warranty: 5 years

Color: Black

SERIES:



RE18



RE27



RE42

PRODUCT BENEFITS*

- 12U size is great for networking, automation, hi-fi and home theater use
- Heavy-gauge steel construction
- Open architecture for custom shelf configuration (shelves sold separately)
- Standard 19" rack enclosure works with all standard 19" rack accessories
- ANSI 10-32 thread works with standard hardware
- Fully assembled frame saves valuable time on the jobsite
- Lockable tempered-glass left- or right-hinged front door
- Heavy-duty hinges support rack and gear to access wiring
- Wall hinge opens to the left
- Removeable side panels for easy servicing
- Rear cable knockouts
- Vented top and bottom (fans not included)
- Side panels are lockable (locks not included)

*Subject to change



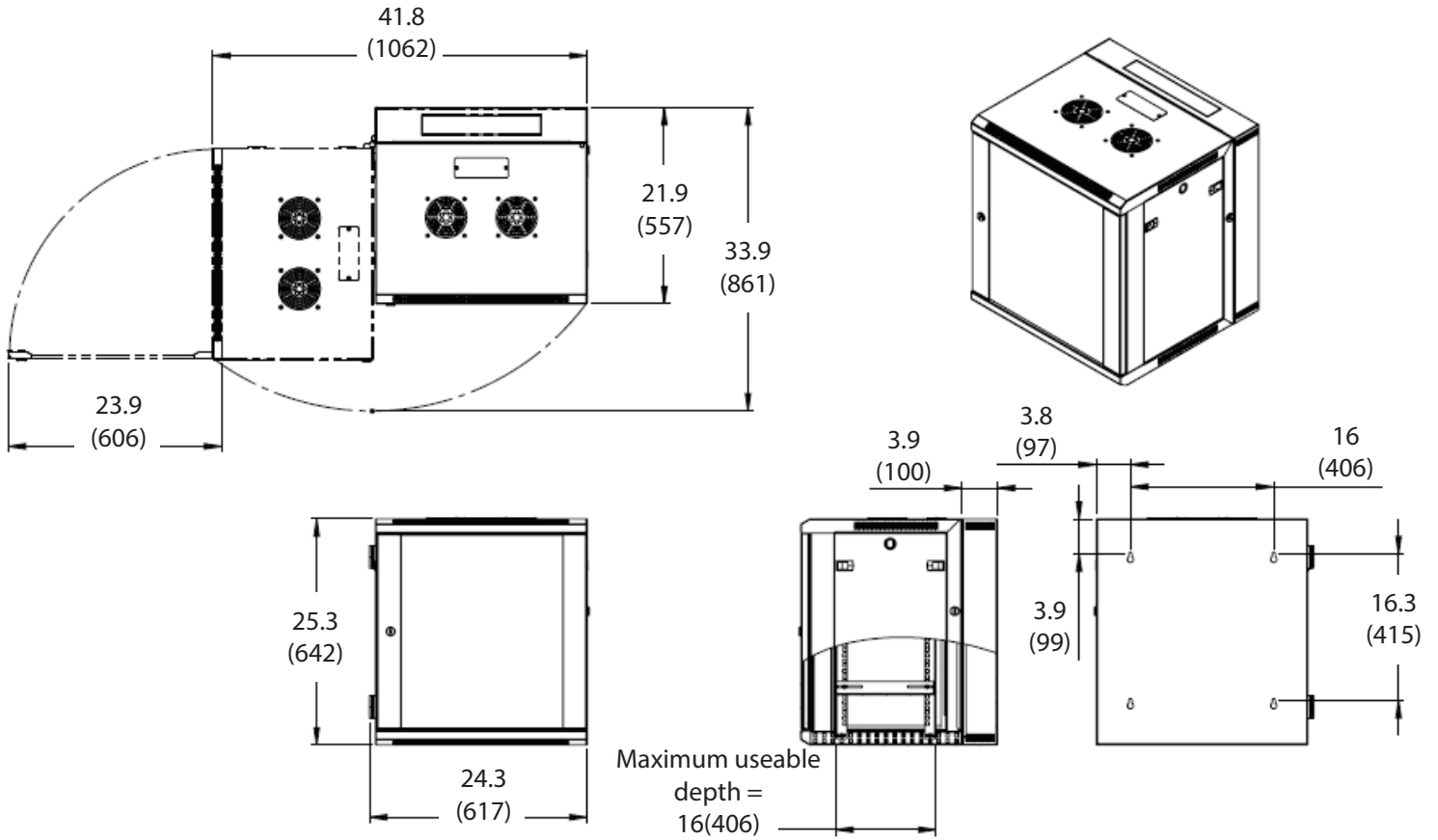
Top ventilation



Heavy-duty hinges

RE12W

inches (mm)



	Packaging UPC	MC UPC
Americas	698833050516	NA
International	NA	NA

	Dimensions WxDxH inches (mm)	Wt lbs (kg)	Qty
Box	24.4 x 22.6 x 26.1 (618 x 568 x 656)	69 (31,3)	NA
MC	NA	NA	NA

Box Contents	Qty
RE12W	1
Instruction Manual	1
Door key	2