

ROLI

Seaboard **GRAND**

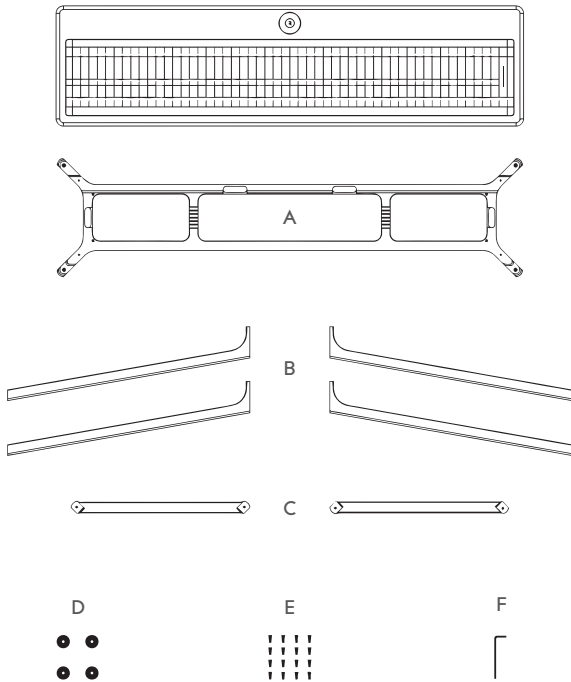




Congratulations!
You are one of only 88 people
who will ever own a Seaboard
GRAND Limited First Edition.
The Seaboard GRAND is a
unique musical instrument
that enables novel forms of
expression and opens up
new creative possibilities. We
hope it brings you years of
exploration and enjoyment.



Overview



A: 1 Stand Platform
B: 4 Stand Legs
C: 2 Stand Leg Bridges
D: 4 Brass Stand "Feet"

E: 16 Screws
F: 1 Allen/Hex Key

Your Seaboard GRAND Limited First Edition comes with the following items:

1. Case.

A simple, durable, super-light polypropylene case made for storing and protecting your Seaboard. The shell is strong enough to protect against bumps, while the interior lining will prevent scratches. Please note: this is not a flight case, and you should not check your Seaboard in without providing additional casing.

2. Stand.

An integrated, anodised milled aluminium stand comprising the 28 components described overleaf.

3. USB flash drive.

This contains your software installation, Seaboard GRAND user manual and links to a dedicated Seaboarder section on the ROLI website.

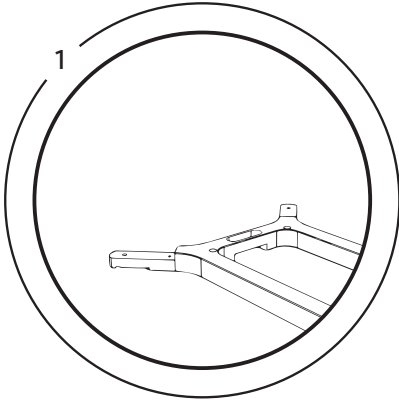
4. Power cable.

5. Power supply.
An international A/C power supply (100-240 Volts, 50/60 Hz).

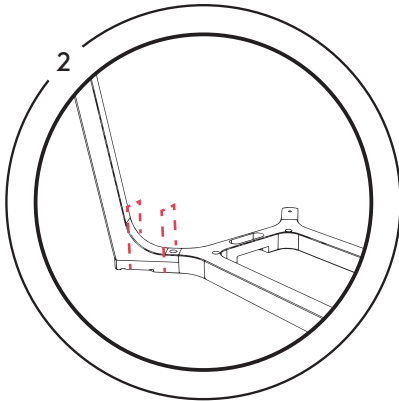
6. USB cable.

This is a USB A to right angle USB B cable. Use this to connect the Seaboard GRAND to your computer. Please note that the Seaboard is not USB powered. The Seaboard must be connected to a power supply at all times during operation.

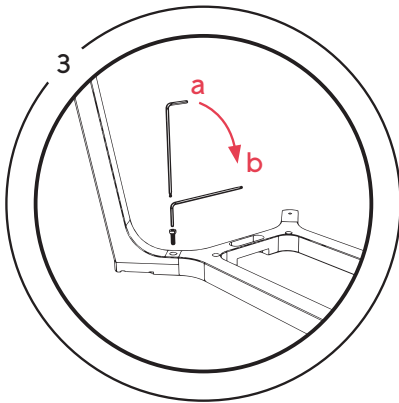
Stand assembly instructions



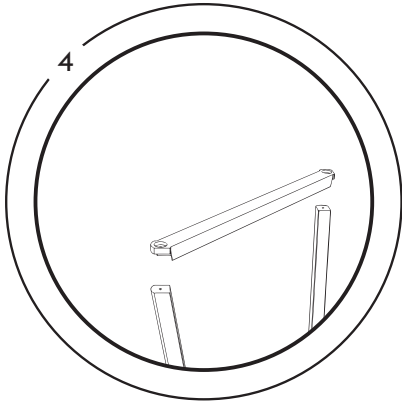
1 - Place the Stand Platform (A) upside down. You will know it's upside down because the four corner protrusions will be recessed when compared to the rest of the surface. If you see the ridges on the center crossbars, please flip Stand Platform over.



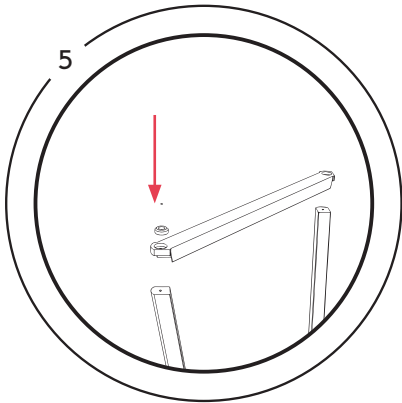
2 - Pick up any of the four Stand Legs (B). Place the Stand Leg on any one of the recessed rectangular corner areas of the Stand Platform. The flat edge of the Stand Leg should perfectly align with the three edges of the corner.



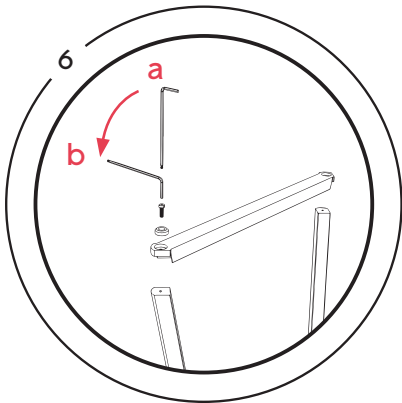
3 - Thread a screw into the Stand Leg hole using the provided Hex Key (F). Always begin screwing with the Hex Key in a vertical orientation. Tighten with the Hex Key in a horizontal orientation. Repeat this process for the 3 other legs.



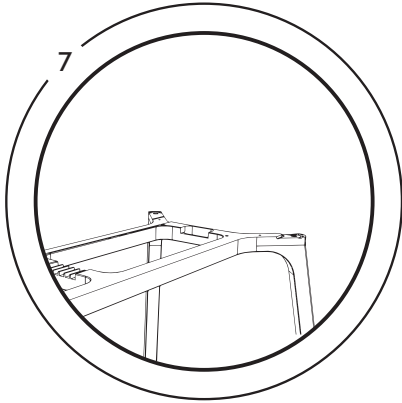
4 - Place a Stand Leg Bridge (C) upon one of the 2 pairs of legs. There is one Stand Leg Bridge for each side and they should align perfectly with the Stand Legs. If you're having trouble, try the other Stand Leg Bridge.



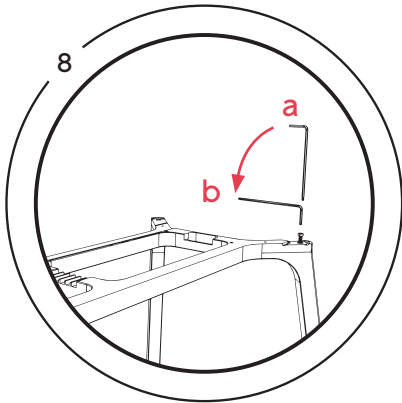
5 - Place one of the Brass Stand Feet (D) in each hole of the Stand Leg Bridge, with the beveled edge facing you.



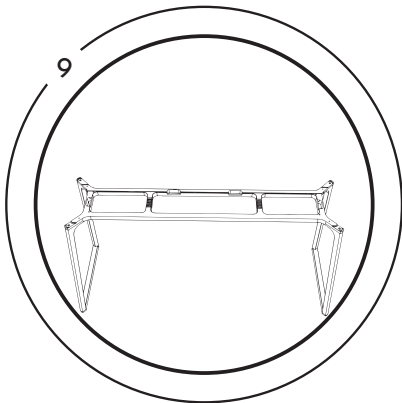
6 - Thread a screw into each of the Brass Stand Feet with the Hex Key in a vertical orientation. Tighten further with the Hex Key in a horizontal orientation. Repeat on the other side.



7 - Flip the entire stand upright.

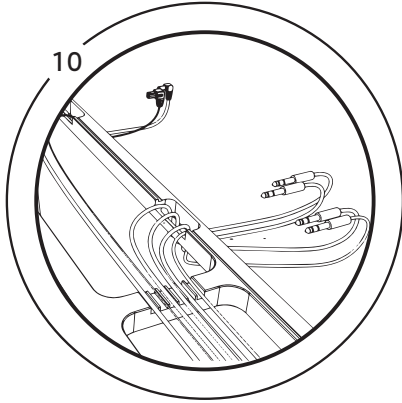


8 - Thread one screw in each of the four outermost corners of the Stand Platform and tighten with the Hex Key.

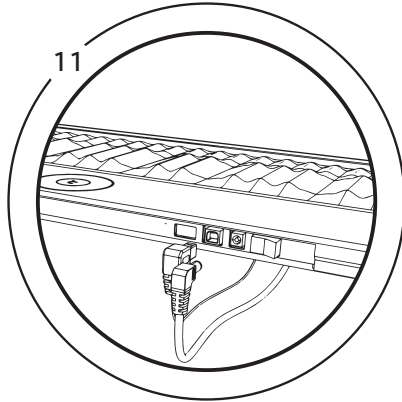


9 - The Stand is now assembled. The player's side of the stand is WITHOUT the large cutouts in the horizontal bar as you look down at the stand.

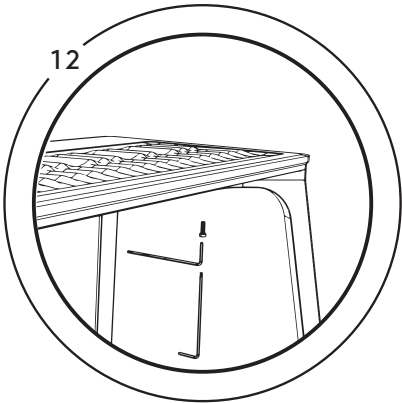




10 - USB, power and pedal cables can be run through the large cutouts as illustrated.



11 - Place the Seaboard GRAND on the stand. It should 'click' into place when properly aligned. Make sure the cables reach. Connect the power and USB cable to the Seaboard GRAND. Finally, connect the USB cable to your computer and the power supply to an appropriate wall outlet. Remember, the power supply must be connected to the Seaboard at all times of operation.



12 - Use the last four screws to secure the Seaboard to the stand from underneath through the final four holes.

Installing and Launching the Seaboard GRAND Software/Synth Squad Player for Seaboard GRAND



The included ROLI USB flash drive contains the two software packages: the Seaboard GRAND Software and the Synth Squad Player for Seaboard GRAND. The Seaboard GRAND Software is essential to Seaboard GRAND operation and must be running for the Seaboard GRAND to function. To install both packages, connect the USB flash drive, and open the installation file, which will guide you through the set-up process.

Support

As this is the first edition of a unique product, we understand that this will be a new and different experience. If you have any questions, we're here to help. Our customer support team can be reached via email at support@roli.com or by telephone on **+44 20 7812 9985**.

We will always aim to respond within 48 hours; however in most cases we hope to be able to get back to you right away.

Additionally, the Support section of the User Manual on your ROLI USB flash drive contains links to the exclusive Seaboarders section of our website. There you can request help from our team, access further information and downloads, and report any issues you face.

