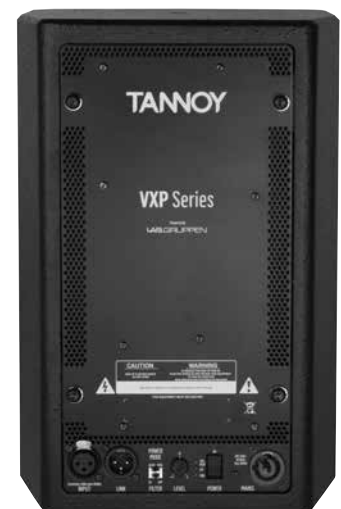
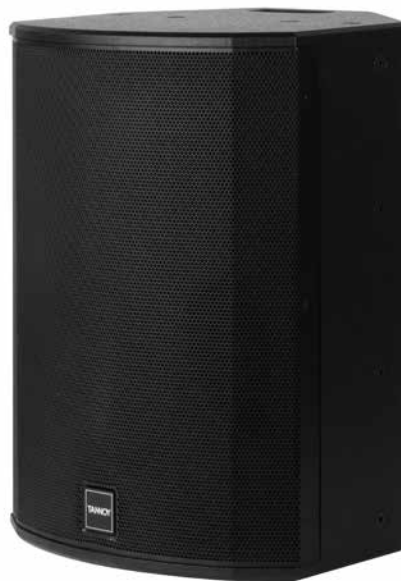


VXP Series

Professional Loudspeakers



**TANNOY**

Operation Manual

# Important Safety Instructions



The lightning flash with arrowhead symbol within an equilateral triangle, is intended to alert the user to the presence of uninsulated "dangerous voltage" within the product's enclosure that may be of sufficient magnitude to constitute a risk of electric shock to persons.

1. Read these instructions.
2. Keep these instructions
3. Heed all warnings.
4. Follow all instructions.
5. Do not use this apparatus near water.
6. Clean only with a dry cloth.
7. Do not block any ventilation openings. Install in accordance with the manufacturer's instructions.
8. Do not install near any heat sources such as radiators, heat registers, stoves, or other apparatus (including amplifiers that produce heat).
9. Do not defeat the safety purpose of the polarized or grounding-type plug. A polarized plug has two blades with one wider than the other. A grounding type plug has two blades and a third grounding prong. The wide blade or the third prong are provided for your safety. If the provided plug does not fit into your outlet, consult an electrician for replacement of the obsolete outlet.
10. Protect the power cord from being walked on or pinched particularly at plugs, convenience receptacles, and the point where they exit from the apparatus.
11. Only use attachments / accessories specified by the manufacturer.
12. Use only with the cart stand, tripod, bracket or mount table specified by the manufacturer, or sold with the apparatus. When a cart is used, use caution when moving the cart / apparatus combination to avoid injury from tip-over.
13. Unplug this apparatus during lightening storms or when unused for long periods of time.
14. Refer all servicing to qualified service personnel. Servicing is required when the apparatus has been damaged in any way, such as power-supply cord or plug is damaged, liquid has been spilled or objects have fallen into the apparatus, the apparatus has been exposed to rain or moisture, does not operate normally, or has been dropped.



The exclamation point within an equilateral triangle is intended to alert the user to the presence of important operating and maintenance (servicing) instructions in the literature accompanying the product.

### SAFETY WARNING

Permanent disconnection from the mains supply is achieved by removing the power cord from the mains supply outlet.

UNDER NO CIRCUMSTANCES SHOULD YOU BREAK THE POWER USING THE powerCON CONNECTOR.

### SAFETY WARNING

Do not remove any covers, loosen any fixings or allow items to enter any aperture

### SAFETY WARNING

Objects filled with liquids should not be placed on this apparatus.

### SAFETY WARNING

The rear heatsink on this product gets hot. Avoid direct skin contact during operation and for at least 5 minutes after power has been isolated.

### AVERTISSEMENT DE SECURITE

Pour déconnecter l'appareil de l'alimentation principale de façon permanente, débranchez le connecteur du câble fourni à l'arrière de l'appareil.

### AVERTISSEMENT DE SECURITE

Ne retirez pas les couvercles, ne desserrez pas les fixations et ne laissez aucune pièce s'introduire dans les ouvertures.

### AVERTISSEMENT DE SECURITE

Ne placez pas d'objets contenant du liquide à proximité de l'appareil.

### AVERTISSEMENT DE SECURITE

Le radiateur arrière de cet appareil devient chaud. Évitez tout contact direct avec la peau pendant le fonctionnement et au moins 5 minutes après la mise hors tension de l'appareil.

# Installation Instructions

1. THIS PRODUCT MUST BE EARTHED. Use only a flexible cable or cord provided with a green or green and yellow core which must be connected to the protective earthing terminal of the detachable Neutrik 'powerCON' type NEC3FCA connector (Tannoy part number 3461 0919) as supplied with the equipment. The other end of the green or green and yellow conductor must be connected to the earthing pin of a suitable mains plug or the earthing terminal of the installation. The cord must be of maximum length 7.5 meters, rated SJ, SJT, or SJE, 10A minimum and be marked VW-1.
2. The electrical power connection to this product is only to be made via a detachable Neutrik 'powerCON' type NEC3FCA connector (Tannoy part number 3461 0919) as supplied with the equipment. Wiring to this connector must be made by suitably qualified personnel and must comply with all local requirements.
3. Do not install this equipment in an enclosed space. Do not limit free ventilation and movement of air around the back panel. Ensure that there is at least 100 mm (4") of space around all sides of the product for ventilation. Only use attachments and accessories approved or specified by Tannoy.

## FOR CUSTOMERS IN EUROPE

This product complies with both the LVD (electrical safety) 73/23/EEC and EMC (electromagnetic compatibility) 89/336/EEC directives issued by the commission of the European community. Compliance with these directives implies conformity with the following European standards:

EN60065 Product safety  
EN55103-1 EMC emissions  
EN55103-2 EMC immunity

This product is intended for the following electromagnetic environments: E2; E3 & E4. Environment E1 (domestic) is specifically excluded.

## FOR CUSTOMERS IN THE USA & CANADA

This product has been tested for electrical safety and complies with:

UL60065 7th edition  
CA/CSA C22.2 No.60065-03 **EMC**

This equipment has been designed to comply with the limits for a Class A digital device, pursuant to part 15 of the FCC Rules. These limits are designed to provide reasonable protection against harmful interference when the equipment is operated in a commercial environment.

Industry Canada Class A emission compliance statement:  
This Class B digital apparatus complies with Canadian ICES-003.  
Avis de conformité à la réglementation d'Industrie Canada, cet appareil numérique de classe A est conforme à la norme ICES-003.

# Table of Contents

|   |           |
|---|-----------|
| <b>1. Introduction</b> .....                    | <b>5</b>  |
| <b>2. Unpacking and Visual Checks</b> .....     | <b>6</b>  |
| 2.1. Preliminary Recommendation .....           | 6         |
| <b>3. Rear Interface Panel</b> .....            | <b>7</b>  |
| <b>4. Operation</b> .....                       | <b>8</b>  |
| 4.1. Preliminary Recommendation .....           | 9         |
| 4.2. Auto and Manual Power Modes .....          | 9         |
| 4.3. Cooling .....                              | 9         |
| 4.4. LED Functions .....                        | 9         |
| 4.5. Audio Connections .....                    | 10        |
| 4.6. Gain Structure .....                       | 10        |
| 5.7 Limiters .....                              | 10        |
| <b>5. Equalisation</b> .....                    | <b>11</b> |
| <b>6. Arraying</b> .....                        | <b>12</b> |
| <b>7. Dimensions</b> .....                      | <b>13</b> |
| <b>8. Rigging and Safety Procedures</b> .....   | <b>18</b> |
| <b>9. Service Parts &amp; Accessories</b> ..... | <b>19</b> |
| <b>10. Technical Specifications</b> .....       | <b>20</b> |
| <b>11. Warranty</b> .....                       | <b>29</b> |
| <b>12. Declaration of Conformity</b> .....      | <b>30</b> |

# 1. Introduction

Designed and engineered in a unique partnership between Tannoy and Lab.gruppen, the VXP Series comprises a range of powered (active) loudspeakers for demanding professional and commercial sound applications. Each incorporates acclaimed Dual Concentric™ driver technology in tandem with on-board powering by Lab.gruppen's IDEEA™ (IntelliDrive Energy Efficient Amplifier) module.

All VXP Series loudspeakers are designed to perform with very high efficiency and exceptionally low distortion, even when operating near peak output levels. At the heart of VXP Series is the latest generation of Dual Concentric loudspeaker technology, which combines a high frequency driver and a low-mid driver on a common axis to create a true point source for all reproduced sounds. Dual Concentric eliminates the time alignment problems inherent with all separated driver enclosures, ensuring outstanding definition, detail and intelligibility at all points in the listening area.

Paired with Dual Concentric driver technology is the new IDEEA powering module from Tannoy's sister company in Sweden, Lab.gruppen. At the heart of the IDEEA module is a patented Class D output stage capable of sustained high power levels with very low distortion – all with near 90% efficiency. A universal switching power supply accepts any mains voltage from 100 - 240 V (+/- 10%) at 50 Hz or 60 Hz through the appropriate IEC cord. The power control selector supports two operational modes: in Auto mode, the system turns on with signal present and turns off after 20 minutes of no signal input; manual mode allows the speaker to be turned on and off as required. Also provided is a switchable 90 Hz high-pass filter for use when adding a subwoofer. To ensure a long and trouble-free service life, IDEEA modules incorporate extensive features to safeguard internal circuits and the driver complement.

Within the VXP Series, system designers can choose from a variety of sizes, power levels and coverage patterns to suit particular requirements. For extended bass performance, models with the “.2” designation augment the Dual Concentric LF driver with a second matched LF driver. The “HP” designation indicates extended power handling capabilities, while the “Q” suffix indicates incorporation on the new Q-Centric Waveguide (QCW™) for applications requiring an asymmetrical coverage pattern. The QCW horn can be rotated in a matter of minutes, allowing placement of the 75 x 40 degree pattern with either horizontal or vertical orientation.

All VXP models are enclosed in rugged birch plywood enclosures, with larger models equipped with double-chamfered Integrip™ recessed handles for easy one- or two-handed carrying. Reflecting Tannoy and Lab.gruppen's common reputation for reliability, all VXP Series loudspeakers are backed by a five-year warranty.

# 2. Unpacking and Visual Checks

Each Tannoy VXP Series loudspeaker is carefully tested and inspected prior to shipment. After unpacking, please inspect for any exterior physical damage, and save the carton and any relevant packaging materials in case the loudspeaker again requires packing and shipping. In the event that damage has been sustained in transit notify your dealer and the shipping carrier immediately.

## 2.1. Preliminary Recommendation

VXP Series loudspeakers can produce high sustained output levels for long periods of time. If users are in close proximity, these levels could lead to permanent hearing damage. Because Tannoy loudspeakers have a natural-sounding, flat frequency response and very low distortion, users may not be aware of the potential hazard. For continuous exposure to high levels, we recommend use of a sound level meter to ensure noise levels are within safety limits. The meter should be capable of integrating levels over a period of exposure in conformance with noise control standards.

## 3. Rear Interface Panel

**XLR FEMALE AUDIO INPUT** - This is a lockable XLR line input socket for connection to the audio source. Fully balanced: pin 2 hot (+), pin 3 cold (+), & pin 1 ground.

**XLR MALE AUDIO LINK** - This is a lockable XLR line output socket to link additional speakers. Fully balanced: pin 2 hot (+), pin 3 cold (+), & pin 1 ground.

**POWER MODE SWITCH** (right) – Selects AUTO or MANUAL power on/off mode.

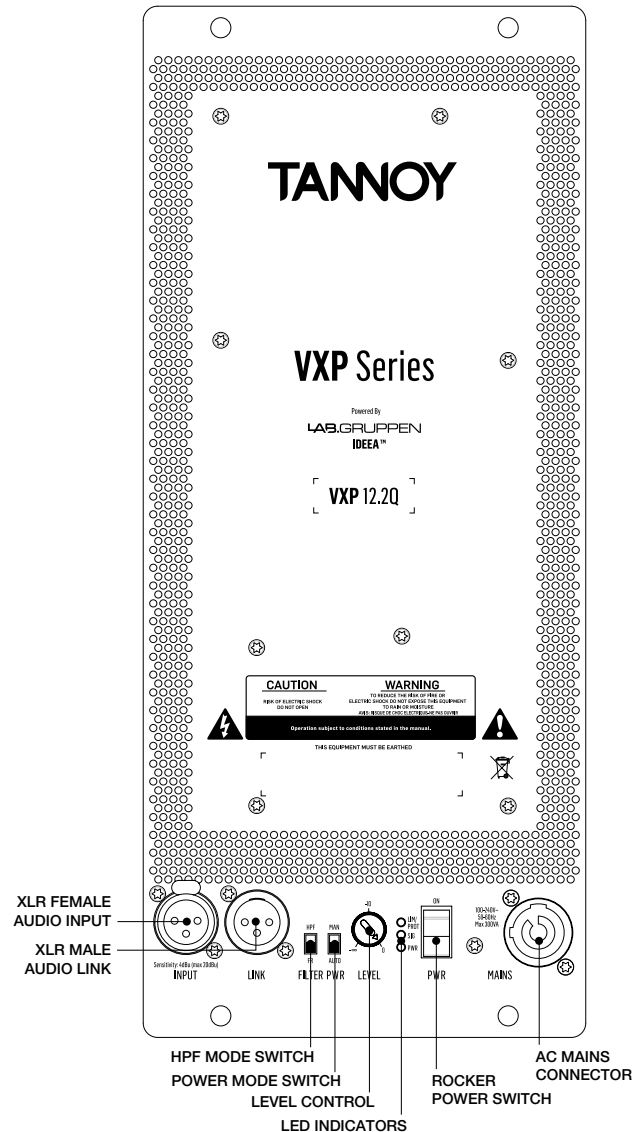
**HPF MODE SWITCH** – Inserts or removes 90 Hz high pass filter.

**LEVEL CONTROL** – Recessed potentiometer for adjustment of speaker volume.

**LED INDICATORS** – Top to bottom:  
 Limit protect indicates activity of built-in speaker protection limiter.  
 Signal indicates when audio signal is present at the input.  
 Power state LED (Red) = StandBy  
 Power state LED (Green) = Active  
 Power state LED (Amber) = Temp protection active.  
 Since we have the auto power on/off functionality, there are multiple ways for this LED to change colour (Red/green).

**ROCKER POWER SWITCH** - Supplies AC power on to the unit (100 V - 240 V)

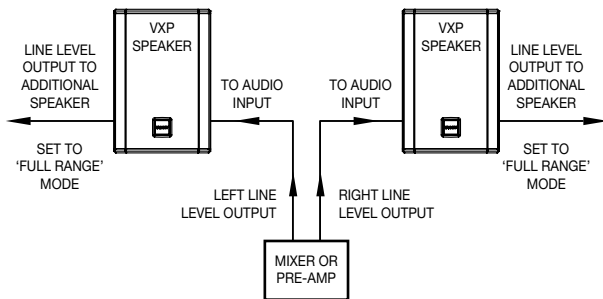
**AC MAINS CONNECTOR** - Neutrik powerCON mains connector (mating connector supplied)



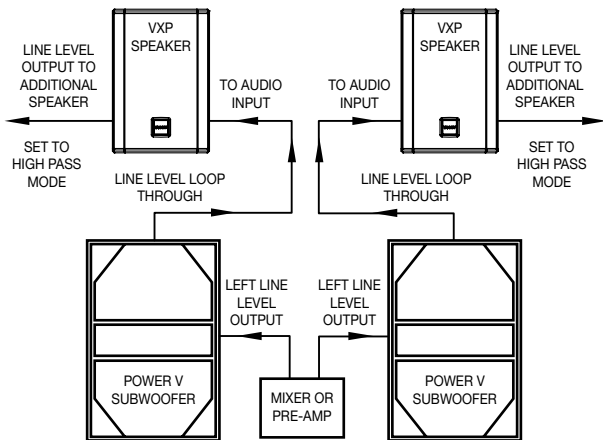
# 4. Operation

All loudspeakers in the VXP range are integrated designs which include system specific EQ and protection circuitry, without the need for external amplification. For room equalization, delay and other commissioning or setup functions, we recommend you use a VNET SC1 or TDX1 Digital Controller. Below are examples of common set-ups:

## A. STEREO FULL RANGE

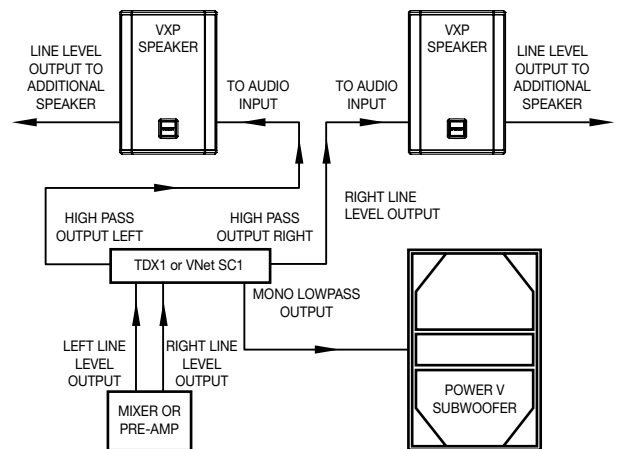


## B. STEREO SYSTEM STEREO SUB



NOTE- ON POWER V SUB WOOFERS - SET LOW PASS FILTER TO POSITION 'A' (80 Hz) WHEN USED WITH EITHER POWER V12, V12HP OR V15. SET TO POSITION B (110 Hz) WHEN USED WITH EITHER POWER V6 OR V8.

## C. STEREO SYSTEM WITH MONO SUB



NOTE- WHEN USING AN EXTERNAL DIGITAL CROSSOVER THE FULL RANGE VXP SPEAKERS CAN BE SET TO FULL RANGE MODE



## 4.1. Preliminary Recommendation

VXP products are equipped with Neutrik powerCON mains connectors which mate with the Neutrik NAC3FCA Cable connector, quick lock with a securing lever for power-in. This AC mains connector is supplied with each VXP product.

The IDEAA™ module in VXP loudspeakers has a universal power supply. It will operate on any AC mains supply from 70 V to 265 V (+/- 10%) at 50 or 60 Hz, although with reduced power output capability at the low voltage extremes 100-240 V (+/-10%). The module will continue to function down to 70 Vac, but with reduced output power capabilities. This allows continued operation even when using long, thin power cables, or when powered from portable generators that are unable to maintain full nominal voltage.

## 4.2. Auto and Manual Power Modes

VXP loudspeakers are designed to meet the requirements of the Energy Star 2.0 specification. The IDEEA module is highly efficient in operation, regardless of levels or program material, and has a STANDBY power consumption of less than 0.5 W. It also offers two modes for power on/off.

**AUTO mode** – This is the default mode as delivered. AUTO engages the Auto Power Down (APD) feature which puts the IDEEA™ module in STANDBY if no input signal is detected for a period of 20 minutes. The Auto Power On (APO) turns the module on in less than 2 seconds after a signal is present at the input.

**MANUAL MODE** – The power mode may be switched to MANUAL to disable the APD and APO functions. This allows use of an external power sequencer or manual control. Because of the very low idle current consumption, good overall efficiency is maintained even when the MANUAL mode is selected.

## 4.3. Cooling

Do not install this equipment in an enclosed space. Do not limit free ventilation and movement of air around the back panel. Ensure that there is at least 100 mm (4") of space around all sides of the product for ventilation. VXP products do not have cooling fans; the highly efficient switch mode power supply and proprietary Class D output stage have less current draw and therefore require only the convection cooling provided by the rear panel heat sink.

## 4.4. LED Functions

**Limit LED** - When illuminated this indicates that the system is approaching clipping. An occasional flicker of the red LED on the loudest peaks is acceptable. If this LED remains red for more than the duration of brief dynamic peaks, or lights continuously then the system is being overdriven. If the red LED illuminates excessively:

- Reduce the input level (see interface panel)
- Reduce the output level of the mixer, or other source to the speaker.

**Signal LED** – The Green LED indicates that a useable signal is present at the input.

**Power LED** – StandBy - Red  
Active - Green  
Temp Prot. - Amber

### 4.5. Audio Connections

The signal input & link connectors are fully balanced. When connecting a balanced signal be sure to wire to the following standard:

| SIGNAL       | XLR CONNECTOR |
|--------------|---------------|
| Hot (+)      | Pin 2         |
| Cold (-)     | Pin 3         |
| Shield (GND) | Pin 1         |

In a standard balanced interconnection there are two signal conductors and a shield. The shield is normally referenced to ground at one or both ends. Many times the shield is lifted at one end, usually at the input to eliminate “ground loops” or noise. This should be done only as a last resort; although it will reduce hum, the shields can act as radio antennas and pick up radio frequency interference from the environment.

Multiple enclosures may be driven from a single audio source; simply plug the signal source output into the first XLR input socket, and patch that speaker’s XLR link to the next speaker’s XLR input socket.

### 4.6. Gain Structure

The VXP gain structure is designed to allow a low-level source device to drive the loudspeaker to full output. Maximum specified SPL will be achieved with a 4 dBu input signal. There is sufficient headroom in the signal path to accommodate input levels of 10 or even 20 dBu, with high quality compression engaged as needed to maintain sonic integrity without clipping. To avoid any compression, or when a lower SPL output is desired, the input attenuator on the rear panel can be used to reduce gain/sensitivity.

### 5.7 Limiters

The limiters are carefully set-up to preserve the loudspeaker’s dynamic headroom by allowing short term transients to pass; audible degradation will only become apparent when the limit indication is on constantly. The limiting functions will protect the amplifier from long term overheating by attenuating voltage to the drive units. If used irresponsibly (constant hard clipping) sound quality will be compromised. In extreme cases drive units may also be damaged.

## 5. Equalisation

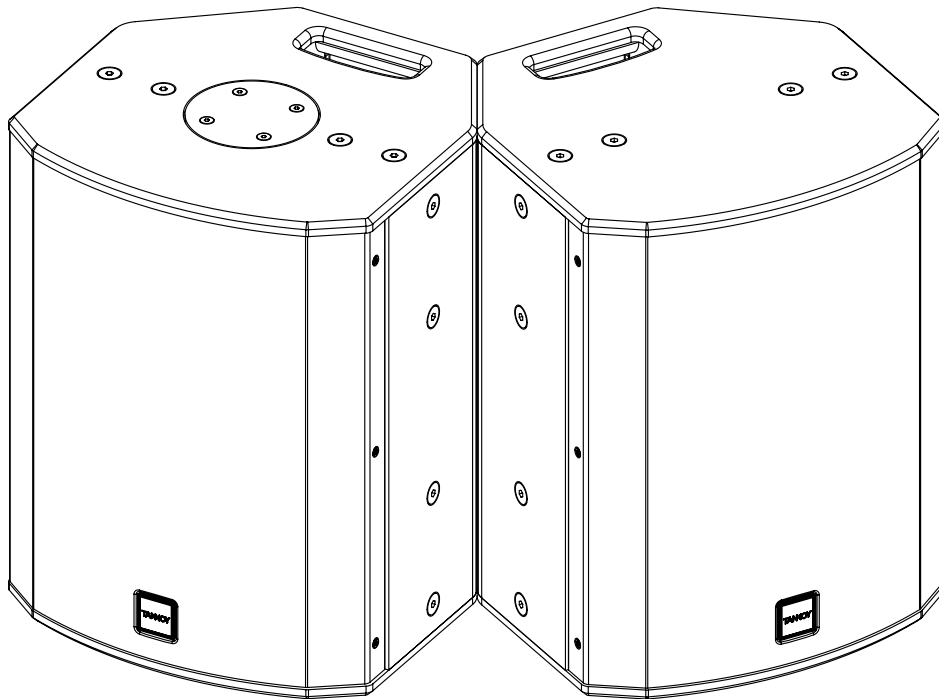
The VXP loudspeaker requires no equalisation or correction to overcome system limitations; equalisation is necessary only to compensate for difficult acoustic environments. Over-equalisation can reduce system headroom and introduce phase distortion, resulting in degraded sound. If equalisation is required, it should be applied gently and smoothly. Because VXP loudspeakers are point source and phase coherent designs, excessive equalization usually proves detrimental to the overall sound quality.

When one loudspeaker is used in close proximity to another, comb filtering effects can create coverage problems. (Comb filtering creates an uneven frequency response across the coverage area due to constructive and destructive interference effects between the two sources.) Comb filtering cannot be cured by equalization; this should be addressed with proper arraying as discussed in the following section.

# 6. Arraying

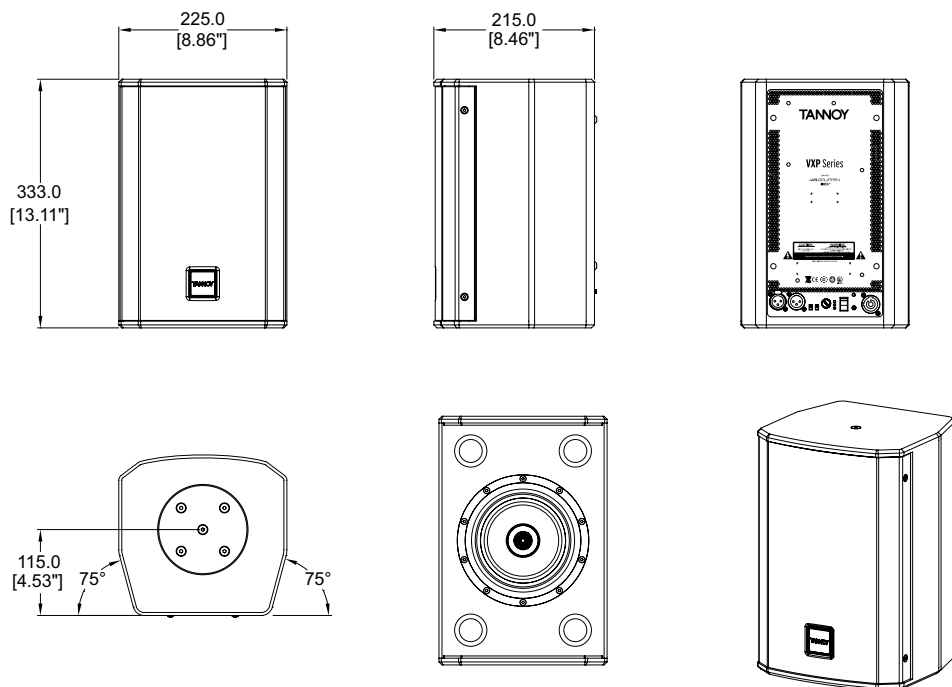
Small alterations to loudspeaker positions can have the effect of minimising problematic combing frequencies. Arrays should be constructed so that the individual coverage patterns of each loudspeaker combine with minimal overlap. The design of the VXP cabinet greatly simplifies the creation of effective arrays, allowing seamless wide horizontal coverage using two loudspeakers without the need for tedious experimentation.

By placing the VXP cabinets with the 30 degree angled rear panels together, minimal dispersion pattern overlap is achieved, guaranteeing an extraordinarily smooth transition. In many applications the 90 or 75 degree dispersion pattern may be sufficient in the horizontal plane. It is also possible to stack the cabinets vertically using the above method (in a central cluster for example), where greater vertical dispersion is required. As shown in the above diagram, one of the VXP cabinets is inverted to allow the optimum splay angle to be achieved. The grille can be simply removed from this cabinet and be replaced for matching orientation. The grille is held in position by the two fixing screws on the top and bottom lips of the cabinet.

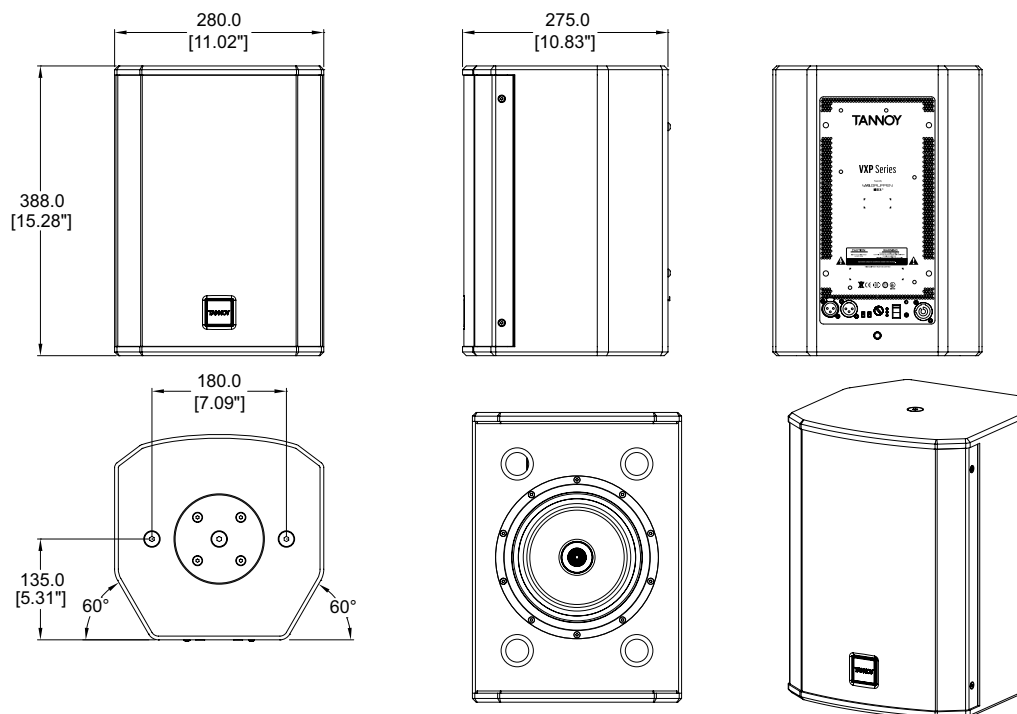


## 7. Dimensions

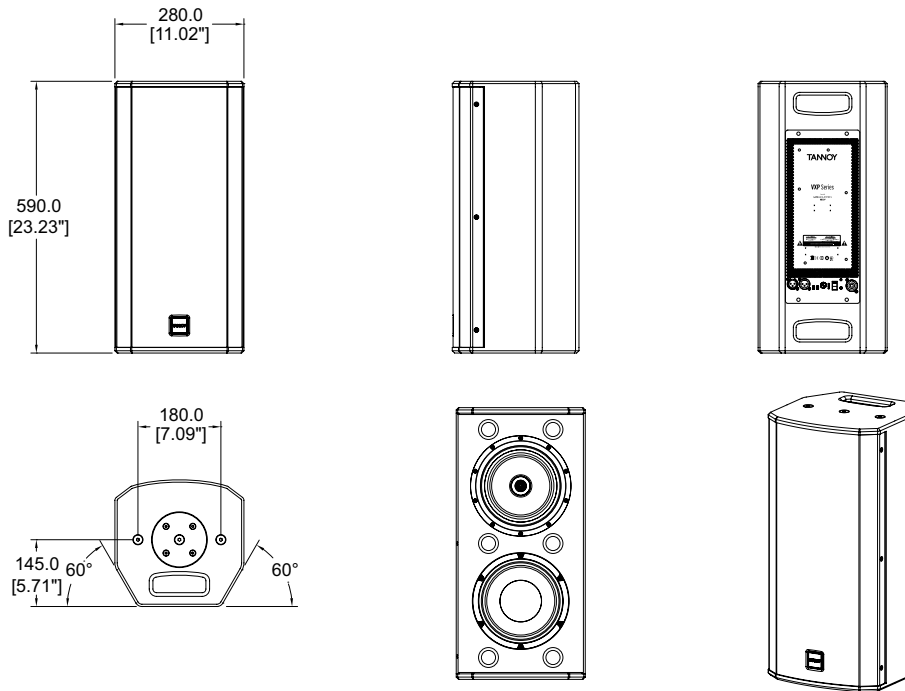
### VXP 6



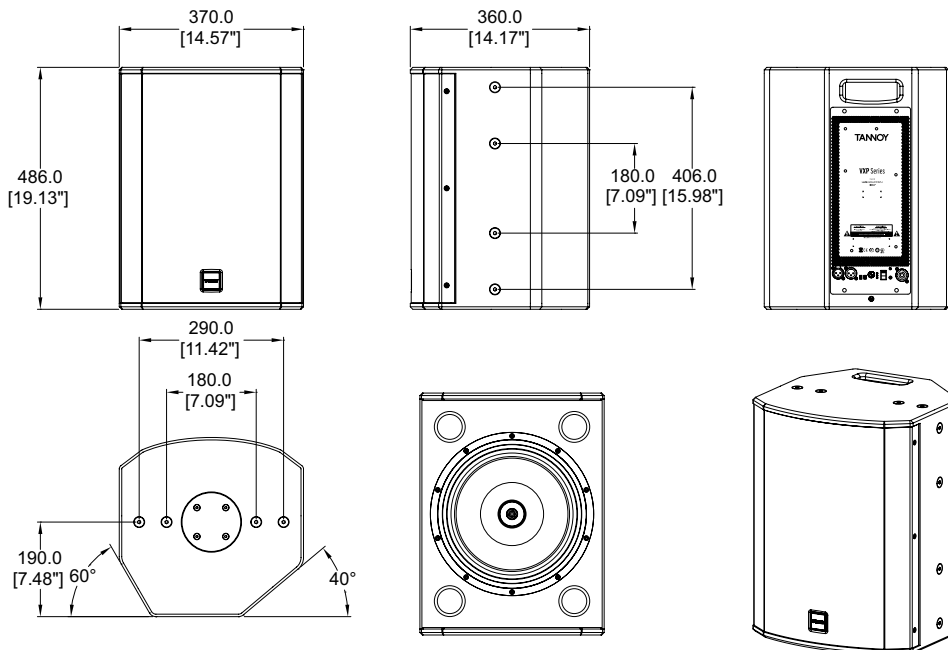
### VXP 8



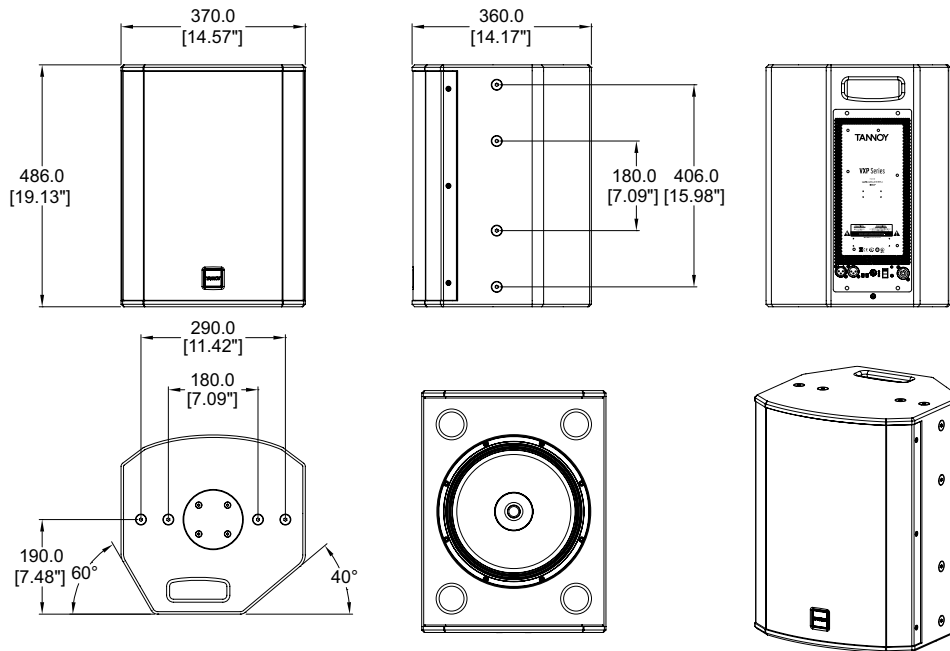
## VXP 8.2



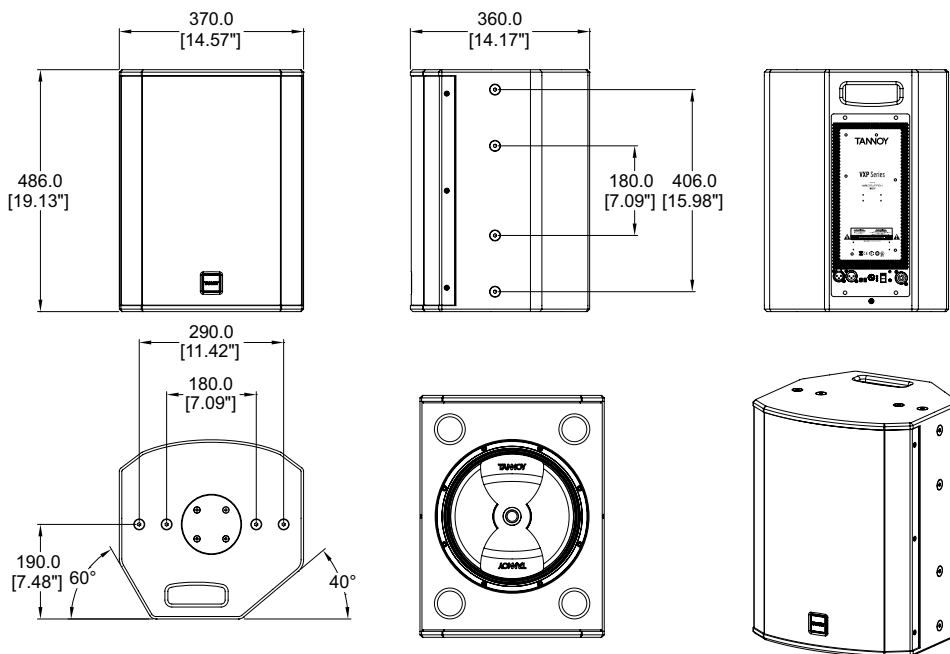
## VXP 12



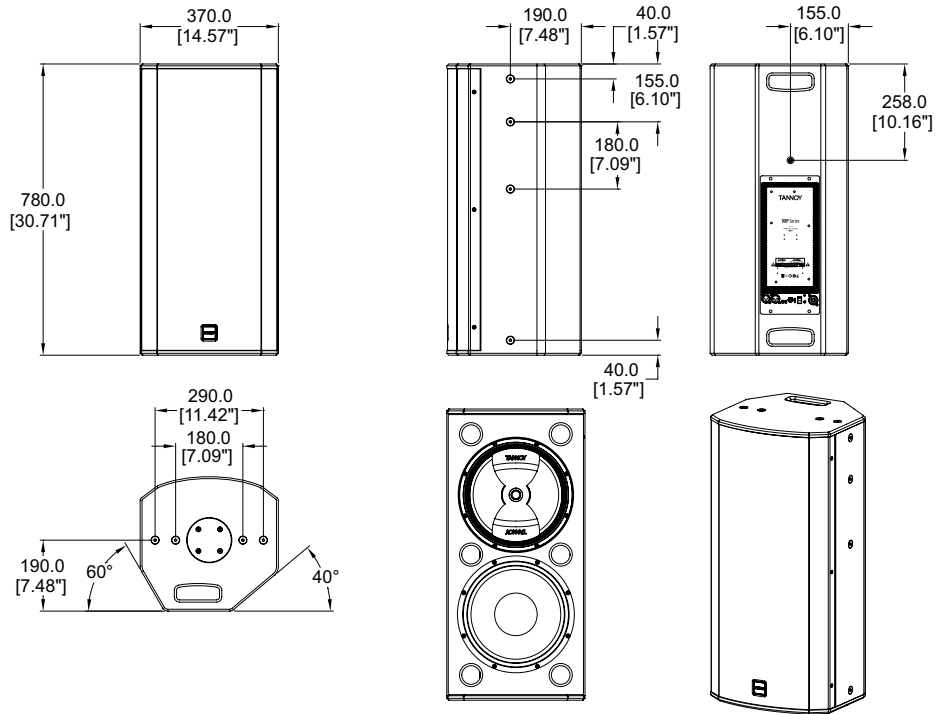
**VXP 12HP**



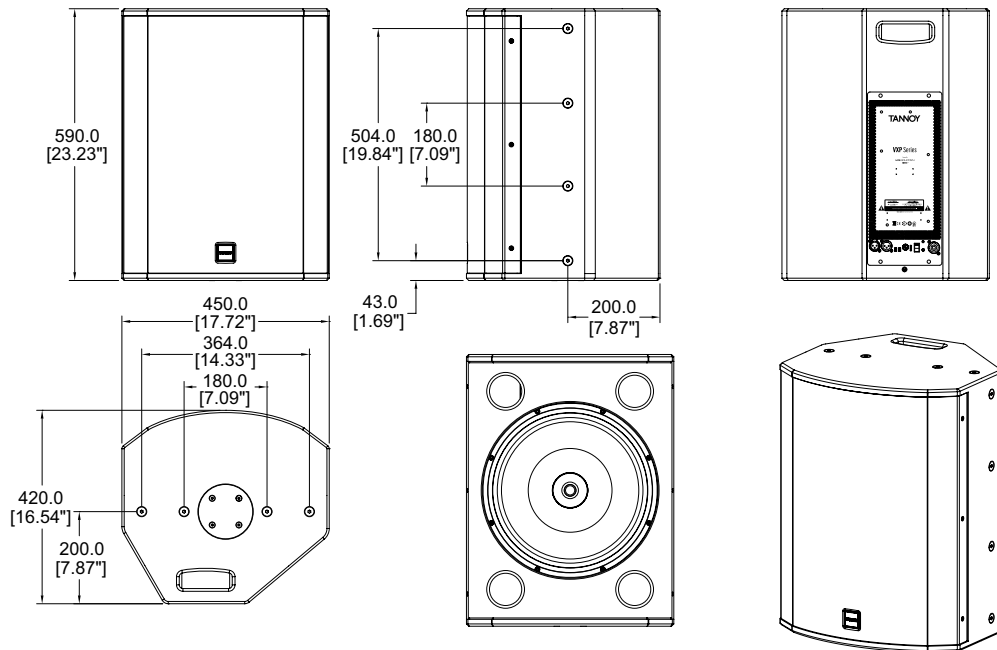
**VXP 12Q**



## VXP 12.2Q

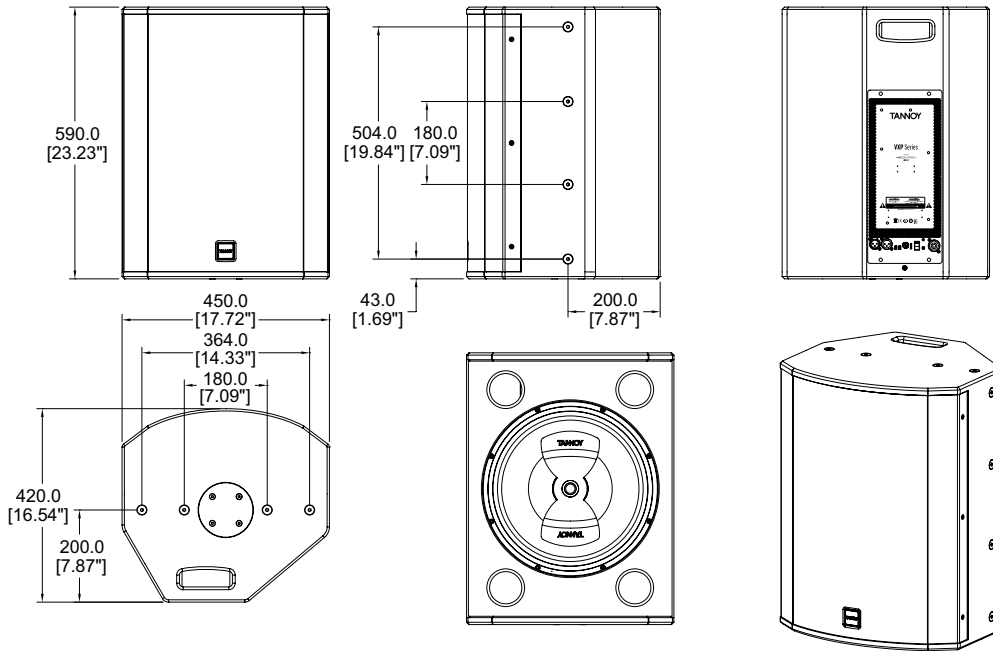


## VXP 15HP





VXP 15Q



# 8. Rigging and Safety Procedures

The Tannoy Professional hardware covered in this guide has been designed to offer quick, simple, cost effective and secure solutions for mounting specific Tannoy Professional loudspeakers. This hardware has been designed and manufactured with a high safety load factor for its specific role. To ensure the safest possible use of the hardware covered in this guide, it must be assembled in strict accordance with the instructions specified. The information in these manuals relating to the assembly and the safe use of these accessories must be understood and followed.

The installation of Tannoy Professional loudspeakers using the dedicated hardware should be carried out only by fully qualified installers, in accordance with all the required safety codes and standards that are applied at the place of installation. **WARNING:** As the legal requirements for flying change from country to country, please consult your local safety standards office before installing any product. We also recommend that you thoroughly check any laws and bylaws prior to installation.

Tannoy Professional hardware has been designed for use with specific Tannoy Professional loudspeakers, and is not designed or intended for use with any other Tannoy Professional products, or any other devices. Using Tannoy Professional hardware for any purpose other than that indicated in this guide is considered to be improper use. Such use can be very dangerous: overloading, modifying, damaging, or assembling in a manner other than that clearly stated in the manual. Tannoy Professional hardware will compromise safety. The component parts of any Tannoy Professional hardware device must only be assembled using the accessory kits supplied and in strict compliance with the Operation Manual. The use of other accessories or non-approved methods of assembly may result in an unsafe hardware system by reducing the load safety factor. Welding, or any other method of permanently fixing hardware components together or to the integral fixing points in the cabinet should never be used.

Whenever a Tannoy Professional loudspeaker is fixed to a surface using a Tannoy Professional hardware device, the installer must ensure that the surface is capable of safely and securely supporting the load. The hardware employed must be safely and securely attached both to the loudspeaker and also to the surface in question, in accordance with the manual, using only the fixing holes provided as standard and covered in the manual. Secure fixings to the building structure are vital. Seek help from architects, structural engineers or other specialists if in any doubt. All loudspeakers flown in theatres, nightclubs, conference centres or other places of work and entertainment must be provided with an independent, correctly rated and securely attached secondary safety restraint in addition to the principal hardware device. This secondary safety restraint must prevent the loudspeaker from dropping more than 150 mm (6") should the principal hardware device fail.

## 9. Service Parts & Accessories

| Model     | Dual driver | HF unit   | Recone Kit | HF diaphragm | Bass driver | Amplifier | Input board |
|-----------|-------------|-----------|------------|--------------|-------------|-----------|-------------|
| VXP 6     | 7900 0742   | 7900 0683 | —          | —            | —           | 7900 1306 | 7900 1315   |
| VXP 8     | 7900 1282   | —         | —          | 7900 1284    | —           | 7900 1307 | 7900 1316   |
| VXP 8.2   | 7900 1282   | —         | —          | 7900 1284    | 7900 1283   | 7900 1308 | 7900 1317   |
| VXP 12    | 7900 1285   | —         | 7900 0441  | 7900 1287    | —           | 7900 1309 | 7900 1317   |
| VXP 12HP  | 7900 1289   | —         | 7900 0716  | 7900 1292    | —           | 7900 1310 | 7900 1318   |
| VXP 12Q   | 7900 1290   | —         | 7900 0716  | 7900 1292    | —           | 7900 1311 | 7900 1318   |
| VXP 12.2Q | 7900 1290   | —         | 7900 0716  | 7900 1292    | 7900 1291   | 7900 1312 | 7900 1318   |
| VXP 15HP  | 7900 1293   | —         | 7900 0646  | 7900 1292    | —           | 7900 1313 | 7900 1318   |
| VXP 15Q   | 7900 1294   | —         | 7900 0646  | 7900 1292    | —           | 7900 1314 | 7900 1318   |

## 10. Technical Specifications

Following are the VXP Series technical specifications. These figures are accurate at the time of printing but please note that all figures are subject to change without notice.

| Model   | VXP 6  |
|---|--|
| <b>Performance</b>                                      |  |
| Frequency Response (-3 dB) <sup>1</sup> Full range mode | 88 Hz - 35 kHz   |
| Frequency Range (-10 dB) <sup>1</sup> Full range mode   | 80 Hz - 45 kHz   |
| Frequency Response (-3 dB) <sup>1</sup> Hi-Pass mode    | 120 Hz - 35 kHz  |
| Frequency Range (-10 dB) <sup>1</sup> Hi-Pass mode      | 100 Hz - 45 kHz  |
| Dispersion (-6 dB)                                      | 90 degrees conical   |
| Driver Complement                                       | 1 x 150 mm (6.00") constant directivity Dual Concentric™   |
| Crossover   | Passive 1.6 kHz with dynamic HF protection   |
| Directivity Factor (Q)                                  | 5.6 averaged 1 kHz to 10 kHz   |
| Directivity Index (DI)                                  | 7.0 averaged 1 kHz to 10 kHz   |
| Rated Maximum SPL <sup>2</sup>                          | 112 dB (average), 118 dB (peak)  |
| <b>Distortion</b>                                       |  |
| 10% Full Power (8.94 V)                                 | 2nd Harmonic 3rd Harmonic  |
| 250 Hz  | 2.64% 0.365%   |
| 1 kHz   | 0.223% 0.458%  |
| 10 kHz  | 1.873% 0.29%   |
| 1% Full Power (2.83 V)                                  | 2nd Harmonic 3rd Harmonic  |
| 250 Hz  | 0.64% 0.314%   |
| 1 kHz   | 0.062% 0.436%  |
| 10 kHz  | 0.78% 0.266%   |
| <b>Construction</b>                                     |  |
| Enclosure   | 6.44 litre, 12 mm (0.59") birch plywood, vented and internally braced  |
| Finish  | Textured black or white paint, with custom colours on request.<br>Powder coated perforated steel grille, Airnet cloth behind   |
| Connectors  | 1 x female XLR (input), 1 male XLR (link), 1 x Neutrik Powercon  |
| Controls & Indicators                                   | Level Control<br>Power LED (Blue)<br>Signal LED (Red/Green)<br>Limit/Protect LED (Red)<br>Full Range / HighPass Switch (110 Hz)<br>Power Mode Switch<br>Power Switch |
| Fittings  | 2 x M6 yoke bracket inserts  |
| Dimensions  | 333 x 225 x 215 mm (HxWxD), 13.1 x 8.9 x 8.1" (HxWxD)  |
| Net Weight  | 7.0 kg (15.4lbs)   |
| Shipped Weight  | 15.5 kg (34.2 lbs)   |
| <b>Electronics</b>                                      |  |
| Maximum signal input for clip                           | Input attenuator at Maximum: +4.5 dBu, (Hard clip will occur at +14.5 dBu input signal)  |
| Dynamic Range   | 106 dB   |
| Amplifier efficiency                                    | >90%   |
| Damping Factor  | >400 ref 8 ohms at 1 kHz   |
| Distortion  | <0.05% @ 1 kHz -3 dB output (22 kHz bandwidth)   |
| Input Impedance   | 10 kohms unbalanced, 20 kohms balanced   |
| <b>Protection systems</b>                               |  |
| Over Current  | Output current limiter, always active  |
| Clip limiter  | Output voltage clip limiter, always active   |
| Temperature   | Over temperature causes protective mute  |
| Brownout  | Automatic protection & recovery  |
| Mains   | Inrush current limiter   |
| Indicators  | 1x Power LED, 1x signal LED, 1x Limit LED,<br>(Power LED: Red = StandBy, Green = On, Amber = Temperature protection active)  |
| Amplifier Type  | Inherently bridged, globally modulated, high performance single channel class D  |
| <b>PSU Specifications</b>                               |  |
| Input Connector   | Locking Neutrik Powercon   |
| Voltage Selection                                       | Universal mains input  |
| Type  | High efficiency, regulated switch mode power supply  |
| Efficiency  | >85% typical   |
| Input voltage   | 100 Vac-240 Vac +/- 10%, 50-60 Hz +/-10%   |
| Mains fuse  | Internal   |
| Fuse type   | 3,15AT   |
| Other features  | Inrush current limiter   |
| StandBy power consumption                               | <1 W   |
| Idle power consumption                                  | <15 W  |
| Maximum power consumption                               | 250 W  |

1. Average over stated bandwidth. Measured at 1 metre on axis.

2. Unweighted pink noise input, measured at 1 metre in an anechoic chamber

A full range of measurements, performance data, and Ease™ Data can be downloaded from [www.tannoy.com](http://www.tannoy.com)

Tannoy operates a policy of continuous research and development. The introduction of new materials or manufacturing methods will always equal or exceed the published specifications, which Tannoy reserves the right to alter without prior notification.

| Model   | VXP 8  |
|---|--|
| <b>Performance</b>                                      |  |
| Frequency Response (-3 dB) <sup>1</sup> Full range mode | 88 Hz - 35 kHz   |
| Frequency Range (-10 dB) <sup>1</sup> Full range mode   | 67 Hz - 45 kHz   |
| Frequency Response (-3 dB) <sup>1</sup> Hi-Pass mode    | 120 Hz - 35 kHz  |
| Frequency Range (-10 dB) <sup>1</sup> Hi-Pass mode      | 100 Hz - 45 kHz  |
| Dispersion (-6 dB)                                      | 90 degrees conical   |
| Driver Complement                                       | 1 x 200 mm (8.00") constant directivity Dual Concentric™   |
| Crossover   | Passive 1.7 kHz with dynamic HF protection   |
| Directivity Factor (Q)                                  | 6.8 averaged 1 kHz to 10 kHz   |
| Directivity Index (DI)                                  | 7.9 averaged 1 kHz to 10 kHz   |
| Rated Maximum SPL <sup>2</sup>                          | 114 dB (average), 120 dB (peak)  |
| <b>Distortion</b>                                       |  |
| 10% Full Power (10.2 V)                                 | 2nd Harmonic 3rd Harmonic  |
| 250 Hz  | 0.12% 0.15%  |
| 1 kHz   | 0.23% 0.84%  |
| 10 kHz  | 1.35% 0.16%  |
| 1% Full Power (3.2 V)                                   | 2nd Harmonic 3rd Harmonic  |
| 250 Hz  | 0.16% 0.14%  |
| 1 kHz   | 0.09% 0.53%  |
| 10 kHz  | 0.53% 0.17%  |
| <b>Construction</b>                                     |  |
| Enclosure   | 13.34 litre, 15 mm (0.62") birch plywood, vented and internally braced.  |
| Finish  | Textured black or white paint, with custom colours on request.<br>Powder coated perforated steel grille, Airmet cloth behind   |
| Connectors  | 1 x female XLR (input), 1 male XLR (link), 1 x Neutrik Powercon  |
| Controls & Indicators                                   | Level Control<br>Power LED (Blue)<br>Signal LED (Red/Green)<br>Limit/Protect LED (Red)<br>Full Range / HighPass Switch (110 Hz)<br>Power Mode Switch<br>Power Switch |
| Fittings  | 2 x M10 flying inserts, 2 x M10 yoke bracket inserts (6 mm allen key)<br>Blanking plate for optional VTH pole mount  |
| Dimensions  | 388 x 280 x 275 mm (HxWxD), 15.3 x 11.0 x 10.8" (HxWxD)  |
| Net Weight  | 10.0 kg (22.0 lbs)   |
| Shipped Weight  | 21.5 kg (47.4 lbs)   |
| <b>Electronics</b>                                      |  |
| Maximum signal input for clip                           | Input attenuator at Maximum: +4.5 dBu<br>(Hard clip will occur at +14.5 dBu input signal)  |
| Dynamic Range   | 106 dB   |
| Amplifier efficiency                                    | >90%   |
| Damping Factor  | >400 ref 8 ohms at 1 kHz   |
| Distortion  | <0.05% @ 1 kHz -3 dB output (22 kHz bandwidth)   |
| Input Impedance   | 10 kohms unbalanced, 20 kohms balanced   |
| <b>Protection systems</b>                               |  |
| Over Current  | Output current limiter, always active  |
| Clip limiter  | Output voltage clip limiter, always active   |
| Temperature   | Over temperature causes protective mute  |
| Brownout  | Automatic protection & recovery  |
| Mains   | Inrush current limiter   |
| Indicators  | 1x Power LED, 1x signal LED, 1x Limit LED<br>(Power LED: Red = StandBy, Green = On, Amber = Temperature protection active)   |
| Amplifier Type  | Inherently bridged, globally modulated, high performance single channel class D  |
| <b>PSU Specifications</b>                               |  |
| Input Connector   | Locking Neutrik Powercon   |
| Voltage Selection                                       | Universal mains input  |
| Type  | High efficiency, regulated switch mode power supply  |
| Efficiency  | >85% typical   |
| Input voltage   | 100 Vac-240 Vac +/- 10%, 50-60 Hz +/-10%   |
| Mains fuse  | Internal   |
| Fuse type   | 3,15AT   |
| Other features  | Inrush current limiter   |
| StandBy power consumption                               | <1 W   |
| Idle power consumption                                  | <15 W  |
| Maximum power consumption                               | 250 W  |

1. Average over stated bandwidth. Measured at 1 metre on axis.

2. Unweighted pink noise input, measured at 1 metre in an anechoic chamber

A full range of measurements, performance data, and Ease™ Data can be downloaded from [www.tannoy.com](http://www.tannoy.com)

Tannoy operates a policy of continuous research and development. The introduction of new materials or manufacturing methods will always equal or exceed the published specifications, which Tannoy reserves the right to alter without prior notification.

# 10. Technical Specifications

|   |  |
|---|--|
| <b>Model</b>  | <b>VXP 8.2</b>   |
| <b>Performance</b>                                      |  |
| Frequency Response (-3 dB) <sup>1</sup> Full range mode | 75 Hz - 35 kHz   |
| Frequency Range (-10 dB) <sup>1</sup> Full range mode   | 60 Hz - 45 kHz   |
| Frequency Response (-3 dB) <sup>1</sup> Hi-Pass mode    | 100 Hz - 35 kHz  |
| Frequency Range (-10 dB) <sup>1</sup> Hi-Pass mode      | 80 Hz - 45 kHz   |
| Dispersion (-6 dB)                                      | 90 degrees conical   |
| Driver Complement                                       | 1 x 200 mm (8.00") constant directivity Dual Concentric™, 1 x 200 mm (8.00") bass driver   |
| Crossover   | Passive 360 Hz and 1.5 kHz, with dynamic HF protection   |
| Directivity Factor (Q)                                  | 8.1 averaged 1 kHz to 8 kHz  |
| Directivity Index (DI)                                  | 9.2 dB averaged 1 kHz to 8 kHz   |
| Rated Maximum SPL <sup>2</sup>                          | 117 dB (average), 123 dB (peak)  |
| <b>Distortion</b>                                       |  |
| 10% Full Power (8.94 V)                                 | 2nd Harmonic 3rd Harmonic  |
| 250 Hz  | 0.58% 0.34%  |
| 1 kHz   | 0.34% 0.69%  |
| 10 kHz  | 1.73% 0.15%  |
| 1% Full Power (2.83 V)                                  | 2nd Harmonic 3rd Harmonic  |
| 250 Hz  | 0.15% 0.15%  |
| 1 kHz   | 0.11% 0.37%  |
| 10 kHz  | 0.74% 0.22%  |
| <b>Construction</b>                                     |  |
| Enclosure   | 19.20 litre, 15 mm (0.62") birch plywood, vented and internally braced.  |
| Finish  | Textured black or white paint, with custom colours on request.<br>Powder coated perforated steel grille, Airmet cloth behind   |
| Connectors  | 1 x female XLR (input), 1 male XLR (link), 1 x Neutrik Powercon  |
| Controls & Indicators                                   | Level Control<br>Power LED (Blue)<br>Signal LED (Red/Green)<br>Limit/Protect LED (Red)<br>Full Range / HighPass Switch (110 Hz)<br>Power Mode Switch<br>Power Switch |
| Fittings  | 4 x M10 flying inserts, 4 x M10 yoke bracket inserts (6 mm allen key),<br>2 x Integrip carrying handles,<br>Blanking plate for optional VTH pole mount               |
| Dimensions  | 590 x 280 x 275 mm (HxWxD), 23.2 x 11.0 x 10.8" (HxWxD)  |
| Net Weight  | 17.5 kg (38.6 lbs)   |
| Shipped Weight  | 20.0 kg (44.1 lbs)   |
| <b>Electronics</b>                                      |  |
| Maximum signal input for clip                           | Input attenuator at Maximum: +4.5 dBu<br>(Hard clip will occur at +14.5 dBu input signal)  |
| Dynamic Range   | 106 dB   |
| Amplifier efficiency                                    | >90%   |
| Damping Factor  | >400 ref 8 ohms at 1 kHz   |
| Distortion  | <0.05% @ 1 kHz -3 dB output (22 kHz bandwidth)   |
| Input Impedance   | 10 kohms unbalanced, 20 kohms balanced   |
| <b>Protection systems</b>                               |  |
| Over Current  | Output current limiter, always active  |
| Clip limiter  | Output voltage clip limiter, always active   |
| Temperature   | Over temperature causes protective mute  |
| Brownout  | Automatic protection & recovery  |
| Mains   | Inrush current limiter   |
| Indicators  | 1x Power LED, 1x signal LED, 1x Limit LED<br>(Power LED: Red = StandBy, Green = On, Amber = Temperature protection active)   |
| Amplifier Type  | Inherently bridged, globally modulated, high performance single channel class D  |
| <b>PSU Specifications</b>                               |  |
| Input Connector   | Locking Neutrik Powercon   |
| Voltage Selection                                       | Universal mains input  |
| Type  | High efficiency, regulated switch mode power supply  |
| Efficiency  | >85% typical   |
| Input voltage   | 100 Vac-240 Vac +/- 10%, 50-60 Hz +/-10%   |
| Mains fuse  | Internal   |
| Fuse type   | 3,15AT   |
| Other features  | Inrush current limiter   |
| StandBy power consumption                               | <1 W   |
| Idle power consumption                                  | <15 W  |
| Maximum power consumption                               | 250 W  |

1. Average over stated bandwidth. Measured at 1 metre on axis.

2. Unweighted pink noise input, measured at 1 metre in an anechoic chamber

A full range of measurements, performance data, and Ease™ Data can be downloaded from [www.tannoy.com](http://www.tannoy.com)

Tannoy operates a policy of continuous research and development. The introduction of new materials or manufacturing methods will always equal or exceed the published specifications, which Tannoy reserves the right to alter without prior notification.

|   |  |              |
|---|--|--------------|
| <b>Model</b>  | <b>VXP 12</b>  |              |
| <b>Performance</b>                                      |  |              |
| Frequency Response (-3 dB) <sup>1</sup> Full range mode | 70 Hz - 25 kHz   |              |
| Frequency Range (-10 dB) <sup>1</sup> Full range mode   | 55 Hz - 38 kHz   |              |
| Frequency Response (-3 dB) <sup>1</sup> Hi-Pass mode    | 100 Hz - 25 kHz  |              |
| Frequency Range (-10 dB) <sup>1</sup> Hi-Pass mode      | 80 Hz - 38 kHz   |              |
| Dispersion (-6 dB)                                      | 90 degrees conical   |              |
| Driver Complement                                       | 1 x 305 mm (12.00") constant directivity Dual Concentric™  |              |
| Crossover   | Passive 1 kHz with HF protection   |              |
| Directivity Factor (Q)                                  | 9.6 averaged 1 kHz to 8 kHz  |              |
| Directivity Index (DI)                                  | 9.8 averaged 1 kHz to 8 kHz  |              |
| Rated Maximum SPL <sup>2</sup>                          | 121 dB (average), 127 dB (peak)  |              |
| <b>Distortion</b>                                       |  |              |
| 10% Full Power (12.65 V)                                | 2nd Harmonic   | 3rd Harmonic |
| 250 Hz  | 0.52%  | 0.58%        |
| 1 kHz   | 2.98%  | 0.63%        |
| 10 kHz  | 3.58%  | 0.19%        |
| 1% Full Power (4 V)                                     | 2nd Harmonic   | 3rd Harmonic |
| 250 Hz  | 0.10%  | 0.26%        |
| 1 kHz   | 0.81%  | 0.58%        |
| 10 kHz  | 1.18%  | 0.03%        |
| <b>Construction</b>                                     |  |              |
| Enclosure   | 36.4 litre, 15 mm (enclosure) and 18 mm (front) birch plywood, vented and internally braced  |              |
| Finish  | Textured black or white paint, with custom colours on request.<br>Powder coated perforated steel grille, Airmet cloth behind   |              |
| Connectors  | 1 x female XLR (input), 1 male XLR (link), 1 x Neutrik Powercon  |              |
| Controls & Indicators                                   | Level Control<br>Power LED (Blue)<br>Signal LED (Red/Green)<br>Limit/Protect LED (Red)<br>Full Range / HighPass Switch (110 Hz)<br>Power Mode Switch<br>Power Switch |              |
| Fittings  | 8 x M10 Flying inserts (portrait or landscape mounting), 8 x M10 yoke bracket inserts<br>1 x Integrip carrying handles<br>Blanking plate for optional VTH pole mount |              |
| Dimensions  | 486 x 370 x 360 mm (HxWxD), 19.1 x 14.6 x 14.1" (HxWxD)  |              |
| Net Weight  | 19.0 kg (41.9 lbs)   |              |
| Shipped Weight  | 21.5 kg (47.4 lbs)   |              |
| <b>Electronics</b>                                      |  |              |
| Maximum signal input for clip                           | Input attenuator at Maximum: +4.5 dBu<br>(Hard clip will occur at +14.5 dBu input signal)  |              |
| Dynamic Range   | 106 dB   |              |
| Amplifier efficiency                                    | >90%   |              |
| Damping Factor  | >400 ref 8 ohms at 1 kHz   |              |
| Distortion  | <0.05% @ 1 kHz -3 dB output (22 kHz bandwidth)   |              |
| Input Impedance   | 10 kohms unbalanced, 20 kohms balanced   |              |
| <b>Protection systems</b>                               |  |              |
| Over Current  | Output current limiter, always active  |              |
| Clip limiter  | Output voltage clip limiter, always active   |              |
| Temperature   | Over temperature causes protective mute  |              |
| Brownout  | Automatic protection & recovery  |              |
| Mains   | Inrush current limiter   |              |
| Indicators  | 1x Power LED, 1x signal LED, 1x Limit LED<br>(Power LED: Red = StandBy, Green = On, Amber = Temperature protection active)   |              |
| Amplifier Type  | Inherently bridged, globally modulated, high performance single channel class D  |              |
| <b>PSU Specifications</b>                               |  |              |
| Input Connector   | Locking Neutrik Powercon   |              |
| Voltage Selection                                       | Universal mains input  |              |
| Type  | High efficiency, regulated switch mode power supply  |              |
| Efficiency  | >85% typical   |              |
| Input voltage   | 100 Vac-240 Vac +/- 10%, 50-60 Hz +/-10%   |              |
| Mains fuse  | Internal   |              |
| Fuse type   | 3,15AT   |              |
| Other features  | Inrush current limiter   |              |
| StandBy power consumption                               | <1 W   |              |
| Idle power consumption                                  | <15 W  |              |
| Maximum power consumption                               | 250 W  |              |

1. Average over stated bandwidth. Measured at 1 metre on axis.

2. Unweighted pink noise input, measured at 1 metre in an anechoic chamber

A full range of measurements, performance data, and Ease™ Data can be downloaded from [www.tannoy.com](http://www.tannoy.com)

Tannoy operates a policy of continuous research and development. The introduction of new materials or manufacturing methods will always equal or exceed the published specifications, which Tannoy reserves the right to alter without prior notification.

# 10. Technical Specifications

|   |  |
|---|--|
| <b>Model</b>  | <b>VXP 12HP</b>  |
| <b>Performance</b>                                      |  |
| Frequency Response (-3 dB) <sup>1</sup> Full range mode | 70 Hz - 25 kHz   |
| Frequency Range (-10 dB) <sup>1</sup> Full range mode   | 60 Hz - 30 kHz   |
| Frequency Response (-3 dB) <sup>1</sup> Hi-Pass mode    | 100 Hz - 25 kHz  |
| Frequency Range (-10 dB) <sup>1</sup> Hi-Pass mode      | 80 Hz - 30 kHz   |
| Dispersion (-6 dB)                                      | 75 degrees conical   |
| Driver Complement                                       | 1 x 305 mm (12.00") constant directivity PowerDual™  |
| Crossover   | Passive 1 kHz  |
| Directivity Factor (Q)                                  | 10.1 averaged 1 kHz to 10 kHz  |
| Directivity Index (DI)                                  | 10.0 dB averaged 1 kHz to 10 kHz   |
| Rated Maximum SPL <sup>2</sup>                          | 123 dB (average), 129 dB (peak)  |
| <b>Distortion</b>                                       |  |
| 10% Full Power (16.7 V)                                 | 2nd Harmonic 3rd Harmonic  |
| 250 Hz  | 0.239% 0.67%   |
| 1 kHz   | 1.58% 3.54%  |
| 10 kHz  | 5.2% 0.19%   |
| 1% Full Power (5.29 V)                                  | 2nd Harmonic 3rd Harmonic  |
| 250 Hz  | 0.11% 0.581%   |
| 1 kHz   | 0.79% 2.53%  |
| 10 kHz  | 1.94% 0.161%   |
| <b>Construction</b>                                     |  |
| Enclosure   | 30.33 litre, 15 mm (enclosure) and 18 mm (front) birch plywood, vented and internally braced.  |
| Finish  | Textured black or white paint, with custom colours on request.<br>Powder coated perforated steel grille, Airmet cloth behind   |
| Connectors  | 1 x female XLR (input), 1 male XLR (link), 1 x Neutrik Powercon  |
| Controls & Indicators                                   | Level Control<br>Power LED (Blue)<br>Signal LED (Red/Green)<br>Limit/Protect LED (Red)<br>Full Range / HighPass Switch (110 Hz)<br>Power Mode Switch<br>Power Switch |
| Fittings  | 8 x M10 Flying inserts (portrait or landscape mounting), 8 x M10 yoke bracket inserts<br>1 x Integrip carrying handles<br>Blanking plate for optional VTH pole mount |
| Dimensions  | 486 x 370 x 360 mm (HxWxD), 19.1 x 14.6 x 14.1" (HxWxD)  |
| Net Weight  | 23.5 kg (51.8 lbs)   |
| Shipped Weight  | 26.0 kg (57.3 lbs)   |
| <b>Electronics</b>                                      |  |
| Maximum signal input for clip                           | Input attenuator at Maximum: +4.5 dBu<br>(Hard clip will occur at +14.5 dBu input signal)  |
| Dynamic Range   | 106 dB   |
| Amplifier efficiency                                    | >90%   |
| Damping Factor  | >400 ref 8 ohms at 1 kHz   |
| Distortion  | <0.05% @ 1 kHz -3 dB output (22 kHz bandwidth)   |
| Input Impedance   | 10 kohms unbalanced, 20 kohms balanced   |
| <b>Protection systems</b>                               |  |
| Over Current  | Output current limiter, always active  |
| Clip limiter  | Output voltage clip limiter, always active   |
| Temperature   | Over temperature causes protective mute  |
| Brownout  | Automatic protection & recovery  |
| Mains   | Inrush current limiter   |
| Indicators  | 1x Power LED, 1x signal LED, 1x Limit LED<br>(Power LED: Red = StandBy, Green = On, Amber = Temperature protection active)   |
| Amplifier Type  | Inherently bridged, globally modulated, high performance single channel class D  |
| <b>PSU Specifications</b>                               |  |
| Input Connector   | Locking Neutrik Powercon   |
| Voltage Selection                                       | Universal mains input  |
| Type  | High efficiency, regulated switch mode power supply  |
| Efficiency  | >85% typical   |
| Input voltage   | 100 Vac-240 Vac +/- 10%, 50-60 Hz +/-10%   |
| Mains fuse  | Internal   |
| Fuse type   | 3,15AT   |
| Other features  | Inrush current limiter   |
| StandBy power consumption                               | <1 W   |
| Idle power consumption                                  | <15 W  |
| Maximum power consumption                               | 250 W  |

1. Average over stated bandwidth. Measured at 1 metre on axis.

2. Unweighted pink noise input, measured at 1 metre in an anechoic chamber

A full range of measurements, performance data, and Ease™ Data can be downloaded from [www.tannoy.com](http://www.tannoy.com)

Tannoy operates a policy of continuous research and development. The introduction of new materials or manufacturing methods will always equal or exceed the published specifications, which Tannoy reserves the right to alter without prior notification.



| Model   | VXP 12Q  |
|---|--|
| <b>Performance</b>                                      |  |
| Frequency Response (-3 dB) <sup>1</sup> Full range mode | 70 Hz - 25 kHz   |
| Frequency Range (-10 dB) <sup>1</sup> Full range mode   | 60 Hz - 30 kHz   |
| Frequency Response (-3 dB) <sup>1</sup> Hi-Pass mode    | 100 Hz - 25 kHz  |
| Frequency Range (-10 dB) <sup>1</sup> Hi-Pass mode      | 80 Hz - 30 kHz   |
| Dispersion (-6 dB)                                      | 75 degrees (H) x 40 degrees (V)  |
| Driver Complement                                       | 1 x 305 mm (12.00") PowerDual™ with Q-Centric waveguide  |
| Crossover   | Passive 1.5 kHz  |
| Directivity Factor (Q)                                  | 13.0 averaged 1 kHz to 8 kHz   |
| Directivity Index (DI)                                  | 11.1 dB averaged 1 kHz to 8 kHz  |
| Rated Maximum SPL <sup>2</sup>                          | 123 dB (average), 129 dB (peak)  |
| <b>Distortion</b>                                       |  |
| 10% Full Power (16.7 V)                                 | 2nd Harmonic 3rd Harmonic  |
| 250 Hz  | 0.72% 0.17%  |
| 1 kHz   | 0.57% 0.76%  |
| 10 kHz  | 5.11% 0.41%  |
| 1% Full Power (5.30 V)                                  | 2nd Harmonic 3rd Harmonic  |
| 250 Hz  | 0.16% 0.19%  |
| 1 kHz   | 0.18% 0.49%  |
| 10 kHz  | 1.63% 0.08%  |
| <b>Construction</b>                                     |  |
| Enclosure   | 36.4 litre, 15 mm (enclosure) and 18 mm (front) birch plywood, vented and internally braced.   |
| Finish  | Textured black or white paint, with custom colours on request.<br>Powder coated perforated steel grille, Airmet cloth behind   |
| Connectors  | 1 x female XLR (input), 1 male XLR (link), 1 x Neutrik Powercon  |
| Controls & Indicators                                   | Level Control<br>Power LED (Blue)<br>Signal LED (Red/Green)<br>Limit/Protect LED (Red)<br>Full Range / HighPass Switch (110 Hz)<br>Power Mode Switch<br>Power Switch |
| Fittings  | 8 x M10 Flying inserts (portrait or landscape mounting), 8 x M10 yoke bracket inserts<br>1 x Integrip carrying handles<br>Blanking plate for optional VTH pole mount |
| Dimensions  | 486 x 370 x 360 mm (HxWxD), 19.1 x 14.6 x 14.1" (HxWxD)  |
| Net Weight  | 23.0 kg (50.7 lbs)   |
| Shipped Weight  | 25.0 kg (55.1 lbs)   |
| <b>Electronics</b>                                      |  |
| Maximum signal input for clip                           | Input attenuator at Maximum: +4.5 dBu<br>(Hard clip will occur at +14.5 dBu input signal)  |
| Dynamic Range   | 106 dB   |
| Amplifier efficiency                                    | >90%   |
| Damping Factor  | >400 ref 8 ohms at 1 kHz   |
| Distortion  | <0.05% @ 1 kHz -3 dB output (22 kHz bandwidth)   |
| Input Impedance   | 10 kohms unbalanced, 20 kohms balanced   |
| <b>Protection systems</b>                               |  |
| Over Current  | Output current limiter, always active  |
| Clip limiter  | Output voltage clip limiter, always active   |
| Temperature   | Over temperature causes protective mute  |
| Brownout  | Automatic protection & recovery  |
| Mains   | Inrush current limiter   |
| Indicators  | 1x Power LED, 1x signal LED, 1x Limit LED<br>(Power LED: Red = StandBy, Green = On, Amber = Temperature protection active)   |
| Amplifier Type  | Inherently bridged, globally modulated, high performance single channel class D  |
| <b>PSU Specifications</b>                               |  |
| Input Connector   | Locking Neutrik Powercon   |
| Voltage Selection                                       | Universal mains input  |
| Type  | High efficiency, regulated switch mode power supply  |
| Efficiency  | >85% typical   |
| Input voltage   | 100 Vac-240 Vac +/- 10%, 50-60 Hz +/-10%   |
| Mains fuse  | Internal   |
| Fuse type   | 3,15AT   |
| Other features  | Inrush current limiter   |
| StandBy power consumption                               | <1 W   |
| Idle power consumption                                  | <15 W  |
| Maximum power consumption                               | 250 W  |

1. Average over stated bandwidth. Measured at 1 metre on axis.

2. Unweighted pink noise input, measured at 1 metre in an anechoic chamber

A full range of measurements, performance data, and Ease™ Data can be downloaded from [www.tannoy.com](http://www.tannoy.com)

Tannoy operates a policy of continuous research and development. The introduction of new materials or manufacturing methods will always equal or exceed the published specifications, which Tannoy reserves the right to alter without prior notification.

# 10. Technical Specifications

|   |  |              |
|---|--|--------------|
| <b>Model</b>  | <b>VXP 12.2Q</b>   |              |
| <b>Performance</b>                                      |  |              |
| Frequency Response (-3 dB) <sup>1</sup> Full range mode | 60 Hz - 25 kHz   |              |
| Frequency Range (-10 dB) <sup>1</sup> Full range mode   | 47 Hz - 30 kHz   |              |
| Frequency Response (-3 dB) <sup>1</sup> Hi-Pass mode    | 100 Hz - 25 kHz  |              |
| Frequency Range (-10 dB) <sup>1</sup> Hi-Pass mode      | 80 Hz - 30 kHz   |              |
| Dispersion (-6 dB)                                      | 75 degrees (H) x 40 degrees (V)  |              |
| Driver Complement                                       | 1 x 305 mm (12.00") PowerDual™ with Q-Centric waveguide, 1 x 305 mm (12.00") bass driver   |              |
| Crossover   | Passive 300 Hz and 1.5 kHz   |              |
| Directivity Factor (Q)                                  | 13.0 averaged 1 kHz to 8 kHz   |              |
| Directivity Index (DI)                                  | 11.1 dB averaged 1 kHz to 8 kHz  |              |
| Rated Maximum SPL <sup>2</sup>                          | 125 dB (average), 131 dB (peak)  |              |
| <b>Distortion</b>                                       |  |              |
| 10% Full Power (20.0 V)                                 | 2nd Harmonic   | 3rd Harmonic |
| 250 Hz  | 2.49%  | 0.49%        |
| 1 kHz   | 0.54%  | 0.73%        |
| 10 kHz  | 7.54%  | 0.80%        |
| 1% Full Power (6.33 V)                                  | 2nd Harmonic   | 3rd Harmonic |
| 250 Hz  | 0.60%  | 0.21%        |
| 1 kHz   | 0.20%  | 0.49%        |
| 10 kHz  | 2.56%  | 0.10%        |
| <b>Construction</b>                                     |  |              |
| Enclosure   | 53.33 litre, 15 mm (enclosure) and 18 mm (front) birch plywood, vented and internally braced.  |              |
| Finish  | Textured black or white paint, with custom colours on request.<br>Powder coated perforated steel grille, Airmet cloth behind   |              |
| Connectors  | 1 x female XLR (input), 1 male XLR (link), 1 x Neutrik Powercon  |              |
| Controls & Indicators                                   | Level Control<br>Power LED (Blue)<br>Signal LED (Red/Green)<br>Limit/Protect LED (Red)<br>Full Range / HighPass Switch (110 Hz)<br>Power Mode Switch<br>Power Switch |              |
| Fittings  | 8 x M10 corner flying inserts, 8 x M10 yoke bracket inserts<br>2 x Integrip carrying handles<br>Blanking plate for optional VTH pole mount                           |              |
| Dimensions  | 780 x 370 x 360 mm (HxWxD), 30.7 x 14.6 x 14.1" (HxWxD)  |              |
| Net Weight  | 35.0 kg (77.2 lbs)   |              |
| Shipped Weight  | 38.0 kg (83.8 lbs)   |              |
| <b>Electronics</b>                                      |  |              |
| Maximum signal input for clip                           | Input attenuator at Maximum: +4.5 dBu<br>(Hard clip will occur at +14.5 dBu input signal)  |              |
| Dynamic Range   | 106 dB   |              |
| Amplifier efficiency                                    | >90%   |              |
| Damping Factor  | >400 ref 8 ohms at 1 kHz   |              |
| Distortion  | <0.05% @ 1 kHz -3 dB output (22 kHz bandwidth)   |              |
| Input Impedance   | 10 kohms unbalanced, 20 kohms balanced   |              |
| <b>Protection systems</b>                               |  |              |
| Over Current  | Output current limiter, always active  |              |
| Clip limiter  | Output voltage clip limiter, always active   |              |
| Temperature   | Over temperature causes protective mute  |              |
| Brownout  | Automatic protection & recovery  |              |
| Mains   | Inrush current limiter   |              |
| Indicators  | 1x Power LED, 1x signal LED, 1x Limit LED<br>(Power LED: Red = StandBy, Green = On, Amber = Temperature protection active)   |              |
| Amplifier Type  | Inherently bridged, globally modulated, high performance single channel class D  |              |
| <b>PSU Specifications</b>                               |  |              |
| Input Connector   | Locking Neutrik Powercon   |              |
| Voltage Selection                                       | Universal mains input  |              |
| Type  | High efficiency, regulated switch mode power supply  |              |
| Efficiency  | >85% typical   |              |
| Input voltage   | 100 Vac-240 Vac +/- 10%, 50-60 Hz +/-10%   |              |
| Mains fuse  | Internal   |              |
| Fuse type   | 3,15AT   |              |
| Other features  | Inrush current limiter   |              |
| StandBy power consumption                               | <1 W   |              |
| Idle power consumption                                  | <15 W  |              |
| Maximum power consumption                               | 250 W  |              |

1. Average over stated bandwidth. Measured at 1 metre on axis.

2. Unweighted pink noise input, measured at 1 metre in an anechoic chamber

A full range of measurements, performance data, and Ease™ Data can be downloaded from [www.tannoy.com](http://www.tannoy.com)

Tannoy operates a policy of continuous research and development. The introduction of new materials or manufacturing methods will always equal or exceed the published specifications, which Tannoy reserves the right to alter without prior notification.

| Model   | VXP 15HP   |
|---|--|
| <b>Performance</b>                                      |  |
| Frequency Response (-3 dB) <sup>1</sup> Full range mode | 60 Hz - 25 kHz   |
| Frequency Range (-10 dB) <sup>1</sup> Full range mode   | 47 Hz - 30 kHz   |
| Frequency Response (-3 dB) <sup>1</sup> Hi-Pass mode    | 100 Hz - 25 kHz  |
| Frequency Range (-10 dB) <sup>1</sup> Hi-Pass mode      | 80 Hz - 30 kHz   |
| Dispersion (-6 dB)                                      | 75 degrees conical   |
| Driver Complement                                       | 1 x 380 mm (15.00") constant directivity PowerDual™  |
| Crossover   | Passive 1.3 kHz  |
| Directivity Factor (Q)                                  | 9.7 averaged 1 kHz to 8 kHz  |
| Directivity Index (DI)                                  | 9.9 dB averaged 1 kHz to 8 kHz   |
| Rated Maximum SPL <sup>2</sup>                          | 125 dB (average), 131 dB (peak)  |
| <b>Distortion</b>                                       |  |
| 10% Full Power (17.9 V)                                 | 2nd Harmonic 3rd Harmonic  |
| 250 Hz  | 1.0% 0.56%   |
| 1 kHz   | 1.4% 1.0%  |
| 10 kHz  | 3.9% 1.8%  |
| 1% Full Power (5.6 V)                                   | 2nd Harmonic 3rd Harmonic  |
| 250 Hz  | 0.31% 0.45%  |
| 1 kHz   | 0.45% 0.79%  |
| 10 kHz  | 3.16% 0.32%  |
| <b>Construction</b>                                     |  |
| Enclosure   | 52.96 litre, 18 mm birch plywood, vented and internally braced.  |
| Finish  | Textured black or white paint, with custom colours on request.<br>Powder coated perforated steel grille, Airmet cloth behind   |
| Connectors  | 1 x female XLR (input), 1 male XLR (link), 1 x Neutrik Powercon  |
| Controls & Indicators                                   | Level Control<br>Power LED (Blue)<br>Signal LED (Red/Green)<br>Limit/Protect LED (Red)<br>Full Range / HighPass Switch (110 Hz)<br>Power Mode Switch<br>Power Switch |
| Fittings  | 8 x M10 corner flying inserts, 8 x M10 yoke bracket inserts<br>1 x Integrip carrying handles<br>Blanking plate for optional VTH pole mount                           |
| Dimensions  | 590 x 450 x 420 mm (HxWxD), 23.2 x 17.7 x 16.5" (HxWxD)  |
| Net Weight  | 29.0 kg (63.9 lbs)   |
| Shipped Weight  | 31.5 kg (69.4 lbs)   |
| <b>Electronics</b>                                      |  |
| Maximum signal input for clip                           | Input attenuator at Maximum: +4.5 dBu<br>(Hard clip will occur at +14.5 dBu input signal)  |
| Dynamic Range   | 106 dB   |
| Amplifier efficiency                                    | >90%   |
| Damping Factor  | >400 ref 8 ohms at 1 kHz   |
| Distortion  | <0.05% @ 1 kHz -3 dB output (22 kHz bandwidth)   |
| Input Impedance   | 10 kohms unbalanced, 20 kohms balanced   |
| <b>Protection systems</b>                               |  |
| Over Current  | Output current limiter, always active  |
| Clip limiter  | Output voltage clip limiter, always active   |
| Temperature   | Over temperature causes protective mute  |
| Brownout  | Automatic protection & recovery  |
| Mains   | Inrush current limiter   |
| Indicators  | 1x Power LED, 1x signal LED, 1x Limit LED<br>(Power LED: Red = StandBy, Green = On, Amber = Temperature protection active)   |
| Amplifier Type  | Inherently bridged, globally modulated, high performance single channel class D  |
| <b>PSU Specifications</b>                               |  |
| Input Connector   | Locking Neutrik Powercon   |
| Voltage Selection                                       | Universal mains input  |
| Type  | High efficiency, regulated switch mode power supply  |
| Efficiency  | >85% typical   |
| Input voltage   | 100 Vac-240 Vac +/- 10%, 50-60 Hz +/-10%   |
| Mains fuse  | Internal   |
| Fuse type   | 3,15AT   |
| Other features  | Inrush current limiter   |
| StandBy power consumption                               | <1 W   |
| Idle power consumption                                  | <15 W  |
| Maximum power consumption                               | 250 W  |

1. Average over stated bandwidth. Measured at 1 metre on axis.

2. Unweighted pink noise input, measured at 1 metre in an anechoic chamber

A full range of measurements, performance data, and Ease™ Data can be downloaded from [www.tannoy.com](http://www.tannoy.com)

Tannoy operates a policy of continuous research and development. The introduction of new materials or manufacturing methods will always equal or exceed the published specifications, which Tannoy reserves the right to alter without prior notification

# 10. Technical Specifications

| Model   | VXP 15Q  |
|---|--|
| <b>Performance</b>                                      |  |
| Frequency Response (-3 dB) <sup>1</sup> Full range mode | 60 Hz - 25 kHz   |
| Frequency Range (-10 dB) <sup>1</sup> Full range mode   | 47 Hz - 30 kHz   |
| Frequency Response (-3 dB) <sup>1</sup> Hi-Pass mode    | 100 Hz - 25 kHz  |
| Frequency Range (-10 dB) <sup>1</sup> Hi-Pass mode      | 80 Hz - 30 kHz   |
| Dispersion (-6 dB)                                      | 75 degrees (H) x 40 degrees (V)  |
| Driver Complement                                       | 1 x 380 mm (15.00") PowerDual™ with Q-Centric waveguide  |
| Crossover   | Passive 1.3 kHz  |
| Directivity Factor (Q)                                  | 12.0 averaged 1 kHz to 8 kHz   |
| Directivity Index (DI)                                  | 10.8 dB averaged 1 kHz to 8 kHz  |
| Rated Maximum SPL <sup>2</sup>                          | 125 dB (average), 131dB (peak)   |
| <b>Distortion</b>                                       |  |
| 10% Full Power (17.9 V)                                 | 2nd Harmonic 3rd Harmonic  |
| 250 Hz  | 1.05% 0.10%  |
| 1 kHz   | 1.61% 1.02%  |
| 10 kHz  | 7.79% 1.15%  |
| 1% Full Power (5.66 V)                                  | 2nd Harmonic 3rd Harmonic  |
| 250 Hz  | 0.30% 0.06%  |
| 1 kHz   | 0.58% 0.52%  |
| 10 kHz  | 2.32% 0.13%  |
| <b>Construction</b>                                     |  |
| Enclosure   | 52.96 litre, 18 mm birch plywood, vented and internally braced.  |
| Finish  | Textured black or white paint, with custom colours on request.<br>Powder coated perforated steel grille, Airnet cloth behind   |
| Connectors  | 1 x female XLR (input), 1 male XLR (link), 1 x Neutrik Powercon  |
| Controls & Indicators                                   | Level Control<br>Power LED (Blue)<br>Signal LED (Red/Green)<br>Limit/Protect LED (Red)<br>Full Range / HighPass Switch (110 Hz)<br>Power Mode Switch<br>Power Switch |
| Fittings  | 8 x M10 corner flying inserts, 8 x M10 yoke bracket inserts<br>1 x Integrip carrying handles<br>Blanking plate for optional VTH pole mount                           |
| Dimensions  | 590 x 450 x 420 mm (HxWxD), 23.2 x 17.7 x 16.5" (HxWxD)  |
| Net Weight  | 29.0 kg (63.9 lbs)   |
| Shipped Weight  | 31.5 kg (69.4 lbs)   |
| <b>Electronics</b>                                      |  |
| Maximum signal input for clip                           | Input attenuator at Maximum: +4.5 dBu<br>(Hard clip will occur at +14.5 dBu input signal)  |
| Dynamic Range   | 106 dB   |
| Amplifier efficiency                                    | >90%   |
| Damping Factor  | >400 ref 8 ohms at 1 kHz   |
| Distortion  | <0.05% @ 1 kHz -3 dB output (22 kHz bandwidth)   |
| Input Impedance   | 10 kohms unbalanced, 20 kohms balanced   |
| <b>Protection systems</b>                               |  |
| Over Current  | Output current limiter, always active  |
| Clip limiter  | Output voltage clip limiter, always active   |
| Temperature   | Over temperature causes protective mute  |
| Brownout  | Automatic protection & recovery  |
| Mains   | Inrush current limiter   |
| Indicators  | 1x Power LED, 1x signal LED, 1x Limit LED<br>(Power LED: Red = StandBy, Green = On, Amber = Temperature protection active)   |
| Amplifier Type  | Inherently bridged, globally modulated, high performance single channel class D  |
| <b>PSU Specifications</b>                               |  |
| Input Connector   | Locking Neutrik Powercon   |
| Voltage Selection                                       | Universal mains input  |
| Type  | High efficiency, regulated switch mode power supply  |
| Efficiency  | >85% typical   |
| Input voltage   | 100 Vac-240 Vac +/- 10%, 50-60 Hz +/-10%   |
| Mains fuse  | Internal   |
| Fuse type   | 3,15AT   |
| Other features  | Inrush current limiter   |
| StandBy power consumption                               | <1 W   |
| Idle power consumption                                  | <15 W  |
| Maximum power consumption                               | 250 W  |

1. Average over stated bandwidth. Measured at 1 metre on axis.

2. Unweighted pink noise input, measured at 1 metre in an anechoic chamber

A full range of measurements, performance data, and Ease™ Data can be downloaded from [www.tannoy.com](http://www.tannoy.com)

Tannoy operates a policy of continuous research and development. The introduction of new materials or manufacturing methods will always equal or exceed the published specifications, which Tannoy reserves the right to alter without prior notification.

# 11. Warranty

**No maintenance of the VXP Series loudspeakers is necessary.**

As part of the MUSIC Group, Tannoy is committed to providing the highest quality products, service and user experience for our customers. One element of this commitment is our after sales support which now incorporates our extended Limited Warranty. In the event of any concern that is not addressed by this extended Limited Warranty we would ask you to contact us at [care@music-group.com](mailto:care@music-group.com)

For full warranty details including the extended Limited Warranty, please visit <http://www.music-group.com/warranty.aspx> and register your purchase online at [www.music-group.com](http://www.music-group.com) or [www.tannoy.com](http://www.tannoy.com)

# 12. Declaration of Conformity

The following apparatus is/are manufactured in UK by Music Group Innovation SC Ltd of Rosehall Industrial Estate, Coatbridge, Scotland, ML5 4TF. The following equipment is marked with the CE label and conform(s) to the protection requirements of the European Electromagnetic Compatibility Standards and Directives. The apparatus is designed and constructed such that electromagnetic disturbances generated do not exceed levels allowing radio and telecommunications equipment and other apparatus to operate as intended, and, the apparatus has an adequate level of intrinsic immunity to electromagnetic disturbance to enable operation as specified and intended.

|                                   |  |
|-----------------------------------|--|
| <b>Details of the Apparatus:</b>  | Tannoy Contractor Loudspeaker              |
| <b>Model Number:</b>              | VXP SERIES                                 |
| <b>Associated Technical File:</b> | EMCVXP SERIES                              |
| <b>Applicable Standards:</b>      | EN 55103-1 Emission<br>EN 55103-2 Immunity |
| <b>Electrical Safety:</b>         | EN 60065                                   |



Engineering Director – Professional Products, Tannoy Professional  
23/11/2015

# Notes

[tannoypro.com](http://tannoypro.com)

Tannoy operates a policy of continuous research and development. The introduction of new materials or manufacturing methods will always equal or exceed the published specifications. All specifications are subject to change without notice.  
Copyright (c) 2015 Music Group Innovation SC Ltd. All rights reserved.

6481 0697/231115