

# Voice Path

## Telephone Handset Audio Tap



### *Product Overview*

Connect Voice Path between the handset and base of your telephone for quick access to audio in and out of the telephone. The Voice Path connects directly to your PC sound card's mic input and line output mini jacks.

Simply unplug the handset coily cord from the base of your telephone and plug it directly into the Voice Path. Then, using the supplied cable, connect the Voice Path back to the telephone.

Now connect the mini plugs directly to your PC. The gray pushbutton determines whether you will be recording the conversation to your PC or sending audio from your PC down the telephone line. The output to PC plug continuously sends a nice mix of the audio from both sides of the conversation, as well as the tones being pressed on the keypad, no matter which position the gray pushbutton is in. The Voice Path has a three-position switch which accommodates electret, dynamic and carbon telephone handset microphone types. The Voice Path will emulate the type of microphone that is in the handset and allow you to send audio into many different types of analog and digital PBX sets, as well as ISDN telephones.

The Voice Path does not work with cellular telephones or any telephone with a keypad in the handset.

# JK Audio

Telephone Interface Products

815-786-2929

1-800-JK-Audio

[www.jkaudio.com](http://www.jkaudio.com)

# Voice Path

## Telephone Handset Audio Tap



**Simply plug Voice Path between the handset and base of your telephone to get audio in and out of your PC**

- Works with analog, digital, PBX, and ISDN telephones
- 3.5 mm mini plug input and output connects directly to PC sound card
- Switch selects between carbon, dynamic or electret handset types
- No battery or AC adapter needed

## JK Audio

Telephone Interface Products

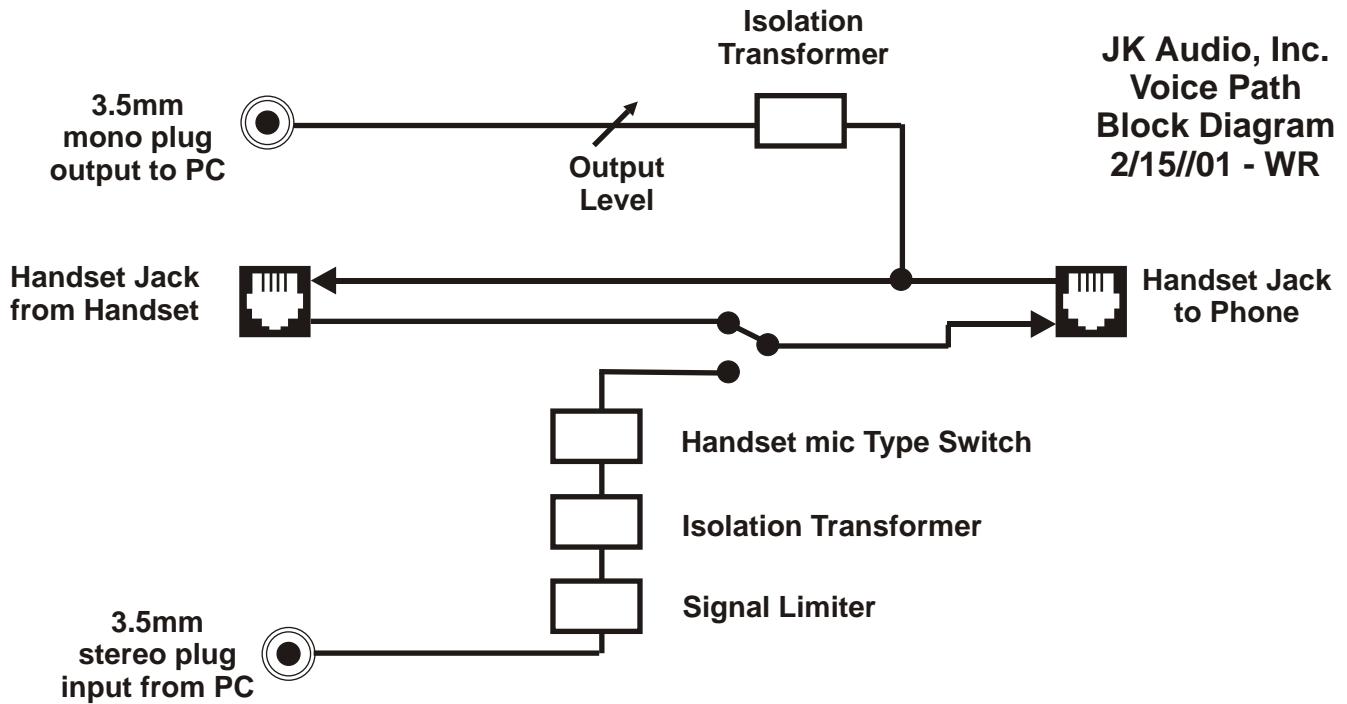
815-786-2929

1-800-JK-Audio

[www.jkaudio.com](http://www.jkaudio.com)

# Voice Path

## Telephone Handset Audio Tap



### Specifications

Input:	3.5 mm stereo plug 20 kohms, 250 mV RMS (+12 dBm maximum)
Output:	3.5 mm mono plug 2800 ohms, 100 mV RMS (-16 dBm nominal)
Handset Interface	biased for electret, dynamic, and carbon handsets.
Size:	3" x 1" x 2" (7.6 x 2.5 x 5.1 cm)
Weight:	9 ounces

# JK Audio

Telephone Interface Products

815-786-2929

1-800-JK-Audio

[www.jkaudio.com](http://www.jkaudio.com)