



# Aleph CV LED Tape Driver

Drive your LED tape



Drive your LED tape/strip with the CV driver. A powerful 250W power supply and driver in one allows you drive up to 25 meters of 24V LED strip from a single unit without needing extra wiring.

DISCLAIMER This brochure is for general marketing purposes only and should not be relied upon as being complete or accurate.

[www.enttec.com](http://www.enttec.com)

Controls . Lights . Solutions

**ENTTEC HEAD OFFICE**  
17/5 Samantha Court  
Knoxfield VIC 3180 Australia  
Tel : +61 3 9763 5755  
Fax : +61 3 9763 5688  
sales@enttec.com

**ENTTEC AMERICAS**  
604A Cornerstone Ct.  
Hillsborough NC 27278 USA  
Tel & Fax : (888) 454-5922  
sales.americas@enttec.com

**ENTTEC EUROPE**  
Unit B23, Parkhall Business Centre  
40 Martell Road, Dulwich London  
Se21 8EN UK  
sales.europe@enttec.com

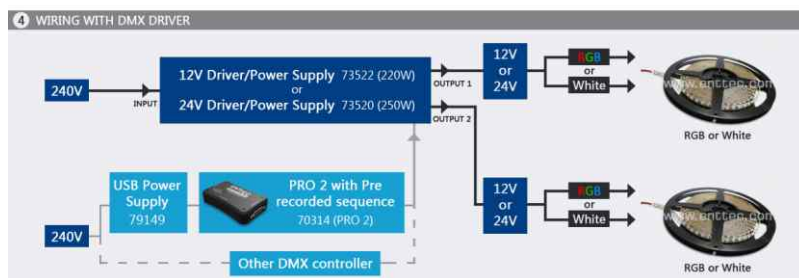
# Aleph CV LED Tape Driver

The complete solution for driving LED tape

## ► Features

- All in one driver power supply & dimmer
- Simple 120-240V AC input
- DMX512 controllable and RDM configurable
- **Compatible with all 24V strips** White, CTA, RGB, RGBW
- **Smallest size** only 42mm wide
- Advanced heat management
- Isolated DMX input
- 5 Amps per channel output
- 250 watts total output power
- Fused outputs
- Power and status LEDs
- Standard 19" rack mount unit using 8 Way mounting

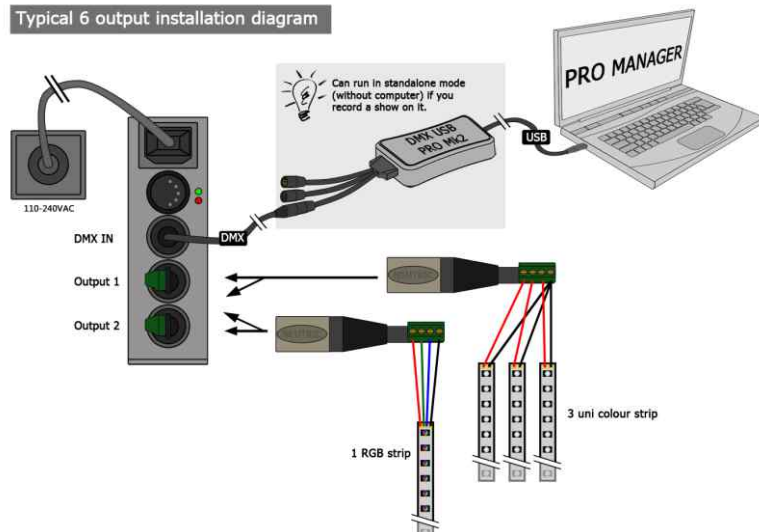
## ► Wiring



	CH1	CH2	CH3	CH4	CH5	CH6	Total	Result
Specification:	5 Amps / 60 W max per channel output						220W max	
12V LED Strip Driver (73522)	Example 1	35W	35W	35W	35W	35W	210W	Good
	Example 2	60W	60W	60W	40W	0	220W	Good
	Example 3	60W	60W	60W	60W	60W	360W	Wrong → Total > 220W
	Example 4	70W	50W	50W	0	0	170W	Wrong → CH1 > 60W

	CH1	CH2	CH3	CH4	CH5	CH6	Total	Result
Specification:	5 Amps / 120 W max per channel output						250W max	
24V LED Strip Driver (73520)	Example 1	40W	40W	40W	40W	40W	240W	Good
	Example 2	120W	120W	10W	0W	0	250W	Good
	Example 3	60W	60W	60W	60W	60W	360W	Wrong → Total > 250W
	Example 4	50W	50W	130W	0	0	230W	Wrong → CH3 > 120W

Typical 6 output installation diagram



## ► Accessories



The modular rack allows up to 8 Aleph CV units to be stacked up using only 3 standard rack units (3RU). Also has an in-built fan at the rear side.

The converter from 4 pin XLR to screw terminal allows easy installation by using a flat screw driver, avoiding the need of wiring and soldering.



## ► RDM

The Aleph1 CV Driver has full RDM capabilities, that means you can configure the driver remotely and softpatch channels to any address you need. The ENTTEC RDM controller software can be downloaded for free from ENTTEC website and be used in combination with a USB Pro, RDM USB Pro or a DMX USB Pro Mk2 widget.

## PART NUMBERS

73520 - 24V CV Driver

73522 - 12V CV Driver

73530 - Stackable modular rack

73526 - Screw terminal output

## ► Dimensions

