

Installation/Operating Instructions

Ceiling Closure for Scissor Lift SL by Draper

Installing Optional Ceiling Closure "B"

The optional ceiling closure can be used as is, or in conjunction with, a square of existing ceiling tile.

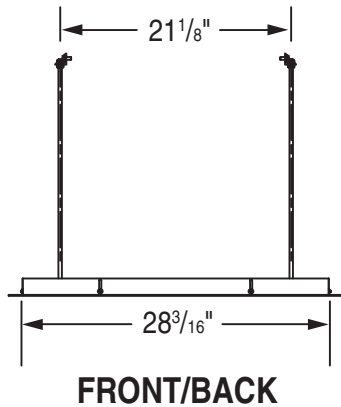
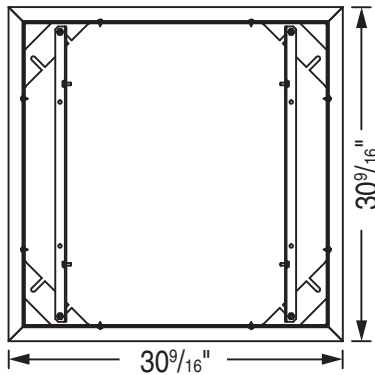
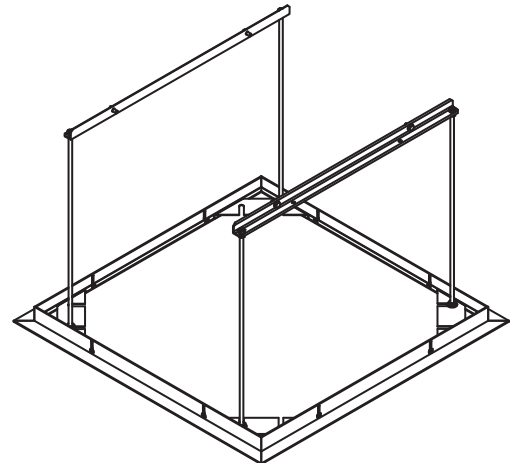
- ① If installing with ceiling tile, you may need to cut tile so that its overall dimensions are the same as (or slightly less than) the closure panel. Place tile into trim frame. Lay closure panel on top (back side) of ceiling tile, and tighten screws to hold in place.
- ② Attach provided angle brackets to side of Bottom Panel of Scissor Lift SL.
- ③ Attach $\frac{5}{16}$ " threaded rods to angle bracket.
- ④ Run unit "up" until bottom pan stops at highest position. Mark position on $\frac{5}{16}$ " rods even with ceiling level and cut to length (remove from pan if convenient).
- ⑤ Run unit "down" until bottom pan stops at "show" position.
- ⑥ Attach closure to lower end of $\frac{5}{16}$ " rods by slipping into four corner slots and secure with nuts above and below slots.

Caution: Make sure nuts are completely tightened.

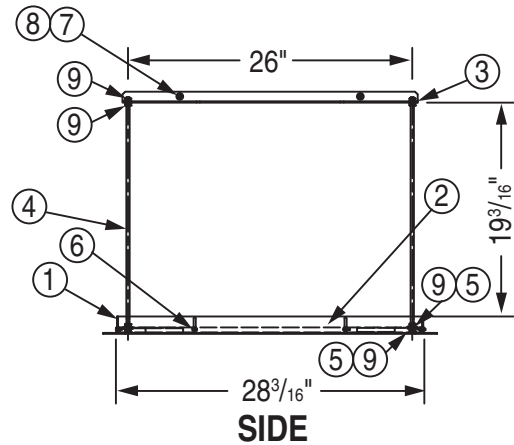
- ⑦ Run unit "up" again to highest position. Measure distance by which panel fails to reach required "closed" height for surrounding ceiling.
- ⑧ Run unit "down" then re-adjust mounting of $\frac{5}{16}$ " rods in traveling grid to raise panel required distance.
- ⑨ Test unit operation to confirm that panel will stop in closed position just before touching ceiling.

⚠ Caution: DO NOT hang from, "ride" or pull down on the unit. This could create a failure and cause damage and/or injury.

PLEASE NOTE: Immediately upon completion of the surrounding ceiling, unit should be operated to confirm that optional ceiling closure panel by Draper or by others stops $\frac{1}{8}$ " short of touching ceiling in closed position. If closure panel touches, the motor may continue operating after the lift is closed. If it continues to cycle once the lift is closed, a motor failure may occur.

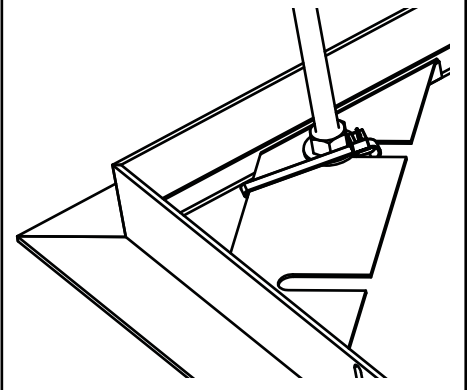


Item	Qty	Part Number	Description
①	1	C028.616.07SA	Frame, B Closure Trim
②	1	C044.194.07SA	Panel, Assembled B Closure
③	2	C002.924.07SA	Bracket, B Closure Attach
④	4	C077.037.49	Rod $\frac{3}{8}$ "-16 x 21 $\frac{3}{8}$ " L Threaded , Zinc
⑤	8	C013.050	Washer .375 I.D. x .875" O.D. x .064" TK GRD 2 Zinc Flat
⑥	8	C020.082	Screw, 10-16 X $\frac{1}{2}$ " 6 Lobe Truss Head AB E-White
⑦	4	C013.033	Washer, $\frac{1}{4}$ " Flat
⑧	4	C020.152	Screw, $\frac{1}{4}$ "-20 x $\frac{5}{8}$ " Hex Head Grade 2 Zinc Cap
⑨	16	C018.027	Nut, $\frac{3}{8}$ "-16 Zinc Hex



For Additional Safety:

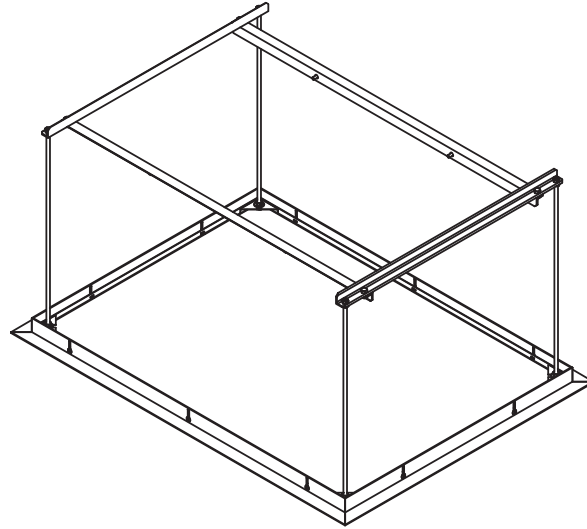
- ① Be sure the nuts that attach the threaded rods to the closure panel are tight.
 - ② Wrap a plastic wire tie around the mounting tab and the threaded rod at all four corners of the closure panel (see drawing).
- Please Note: Do NOT use a paper-covered or similar wire tie—use only plastic wire ties for maximum safety.*



Installing Optional Ceiling Closure "E"

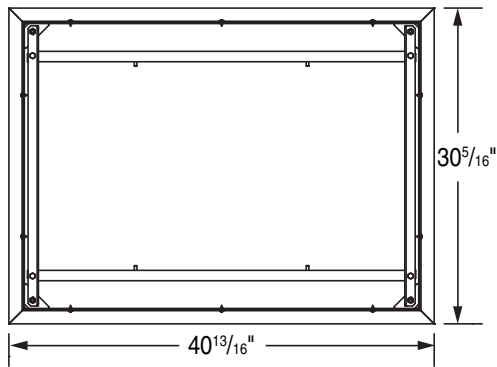
The optional ceiling closure can be used as is, or in conjunction with, a square of existing ceiling tile.

- ① If installing with ceiling tile, you may need to cut tile so that its overall dimensions are the same as (or slightly less than) the closure panel. Place tile into trim frame. Lay closure panel on top (back side) of ceiling tile, and tighten screws to hold in place.
- ② Attach provided angle brackets to side of Bottom Panel of Scissor Lift SL.
- ③ Attach $\frac{5}{16}$ " threaded rods to angle bracket.
- ④ Run unit "up" until bottom pan stops at highest position. Mark position on $\frac{5}{16}$ " rods even with ceiling level and cut to length (remove from pan if convenient).
- ⑤ Run unit "down" until bottom pan stops at "show" position.
- ⑥ Attach closure to lower end of $\frac{5}{16}$ " rods by slipping into four corner slots and secure with nuts above and below slots.
- ⚠ **Caution: Make sure nuts are completely tightened.**
- ⑦ Run unit "up" again to highest position. Measure distance by which panel fails to reach required "closed" height for surrounding ceiling.
- ⑧ Run unit "down" then re-adjust mounting of $\frac{5}{16}$ " rods in traveling grid to raise panel required distance.
- ⑨ Test unit operation to confirm that panel will stop in closed position just before touching ceiling.

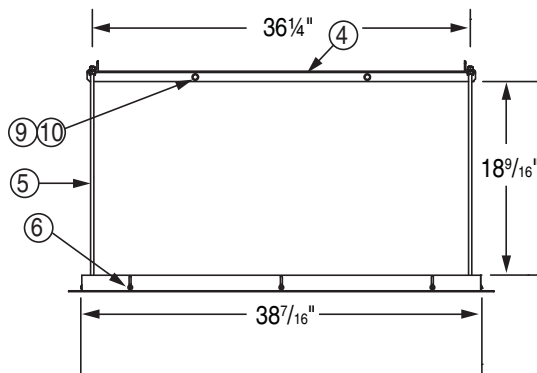


⚠ **Caution: DO NOT hang from, "ride" or pull down on the unit. This could create a failure and cause damage and/or injury.**

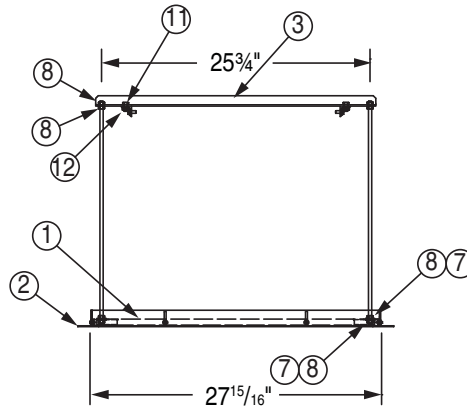
PLEASE NOTE: Immediately upon completion of the surrounding ceiling, unit should be operated to confirm that optional ceiling closure panel by Draper or by others stops $\frac{1}{8}$ " short of touching ceiling in closed position. If closure panel touches, the motor may continue operating after the lift is closed. If it continues to cycle once the lift is closed, a motor failure may occur.



Top View



Side View



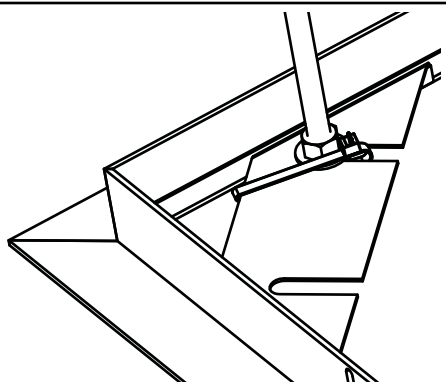
Front/Back View

Item	Qty	Part Number	Description
①	1	C044.199.07SA	Panel, E Assembled Closure
②	1	C028.619.07SA	Frame, E Trim
③	2	C002.920.07SA	Bracket, E Front/Back Angle
④	2	C002.921.07SA	Bracket, E End Angle
⑤	4	4 C077.037.49	Rod, Threaded $\frac{3}{8}$ "-16 x 21 $\frac{3}{8}$ " L Zinc
⑥	10	C020.082	Screw, 10-16 X $\frac{1}{2}$ " 6 Lobe Truss Head AB E-White
⑦	8	C013.050	Washer .375 I.D. x .875 O.D. x .064" TK GRD 2 Zinc Flat
⑧	16	C018.027	Nut, $\frac{3}{8}$ "-16 Zinc Hex
⑨	4	C020.152	Screw, $\frac{1}{4}$ "-20 x $\frac{5}{16}$ " Grade 2 HH Zinc Cap
⑩	4	C013.033	Washer, $\frac{1}{4}$ " Flat
⑪	4	C020.321	Screw, $\frac{5}{16}$ "-18 x $\frac{5}{8}$ " Grade 5 HH Zinc Cap
⑫	4	C018.045	Nut, $\frac{5}{16}$ "-18 Zinc Hex Keps

For Additional Safety:

- ① Be sure the nuts that attach the threaded rods to the closure panel are tight.
- ② Wrap a plastic wire tie around the mounting tab and the threaded rod at all four corners of the closure panel (see drawing).

Please Note: Do NOT use a paper-covered or similar wire tie—use only plastic wire ties for maximum safety.



Installing Optional Ceiling Closure "SL"

The optional ceiling closure can be used as is, or in conjunction with, a square of existing ceiling tile.

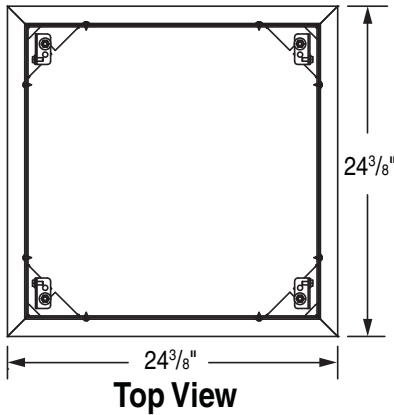
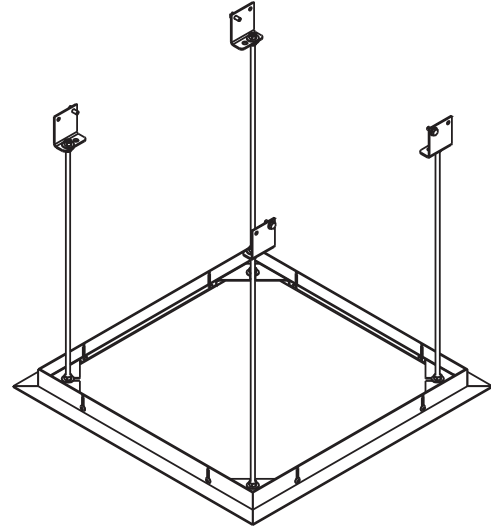
- ① If installing with ceiling tile, you may need to cut tile so that its overall dimensions are the same as (or slightly less than) the closure panel. Place tile into trim frame. Lay closure panel on top (back side) of ceiling tile, and tighten screws to hold in place.
- ② Attach provided angle brackets to side of Bottom Panel of Scissor Lift SL.
- ③ Attach $\frac{5}{16}$ " threaded rods to angle bracket.
- ④ Run unit "up" until bottom pan stops at highest position. Mark position on $\frac{5}{16}$ " rods even with ceiling level and cut to length (remove from pan if convenient).
- ⑤ Run unit "down" until bottom pan stops at "show" position.
- ⑥ Attach closure to lower end of $\frac{5}{16}$ " rods by slipping into four corner slots and secure with nuts above and below slots.

⚠ Caution: Make sure nuts are completely tightened.

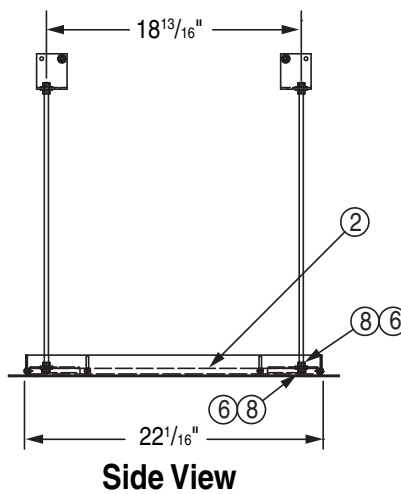
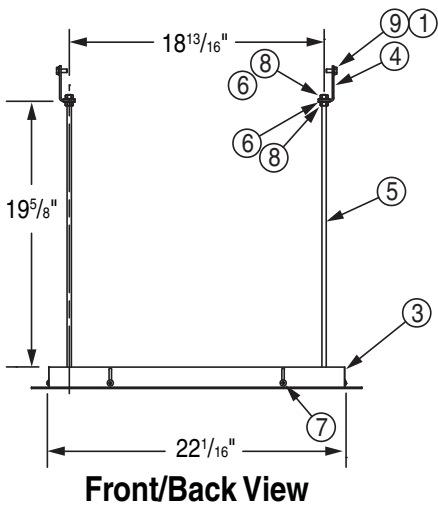
- ⑦ Run unit "up" again to highest position. Measure distance by which panel fails to reach required "closed" height for surrounding ceiling.
- ⑧ Run unit "down" then re-adjust mounting of $\frac{5}{16}$ " rods in traveling grid to raise panel required distance.
- ⑨ Test unit operation to confirm that panel will stop in closed position just before touching ceiling.

⚠ Caution: DO NOT hang from, "ride" or pull down on the unit. This could create a failure and cause damage and/or injury.

PLEASE NOTE: Immediately upon completion of the surrounding ceiling, unit should be operated to confirm that optional ceiling closure panel by Draper or by others stops $\frac{1}{8}$ " short of touching ceiling in closed position. If closure panel touches, the motor may continue operating after the lift is closed. If it continues to cycle once the lift is closed, a motor failure may occur.



Item	Qty	Part Number	Description
①	4	C013.033	Washer, $\frac{1}{4}$ " Flat
②	1	C044.184.07SA	Panel, SL Closure
③	1	C028.573.07SA	Frame, SL Closure Trim
④	4	C002.889.07SA	Bracket, SL Closure Mounting
⑤	4	4 C077.052	Rod, Threaded $\frac{5}{16}$ "-18 x 16" L Zinc
⑥	16	C013.050	Washer .375 I.D. x .875 O.D. x .064" TK GRD 2 Zinc Flat
⑦	8	C020.082	Screw, 10-16 x $\frac{1}{2}$ " 6 Lobe Truss Head AB E-White
⑧	16	C018.028	Nut, $\frac{5}{16}$ "-18 Zinc Hex
⑨	4	C020.152	Screw, $\frac{1}{4}$ "-20 x $\frac{5}{16}$ " Grade 2 HH Zinc Cap



For Additional Safety:

- ① Be sure the nuts that attach the threaded rods to the closure panel are tight.
- ② Wrap a plastic wire tie around the mounting tab and the threaded rod at all four corners of the closure panel (see drawing).

Please Note: Do NOT use a paper-covered or similar wire tie—use only plastic wire ties for maximum safety.

Installing Optional Ceiling Closure "U"

The optional ceiling closure can be used as is, or in conjunction with, a square of existing ceiling tile.

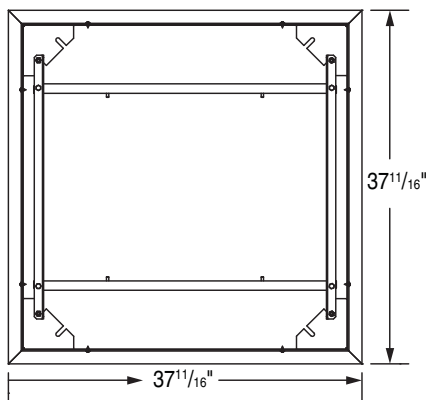
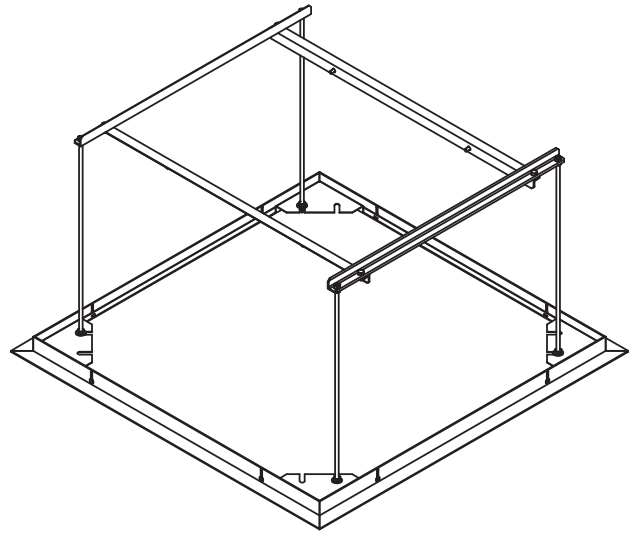
- ① If installing with ceiling tile, you may need to cut tile so that its overall dimensions are the same as (or slightly less than) the closure panel. Place tile into trim frame. Lay closure panel on top (back side) of ceiling tile, and tighten screws to hold in place.
- ② Attach provided angle brackets to side of Bottom Panel of Scissor Lift SL.
- ③ Attach $\frac{5}{16}$ " threaded rods to angle bracket.
- ④ Run unit "up" until bottom pan stops at highest position. Mark position on $\frac{5}{16}$ " rods even with ceiling level and cut to length (remove from pan if convenient).
- ⑤ Run unit "down" until bottom pan stops at "show" position.
- ⑥ Attach closure to lower end of $\frac{5}{16}$ " rods by slipping into four corner slots and secure with nuts above and below slots.

Caution: Make sure nuts are completely tightened.

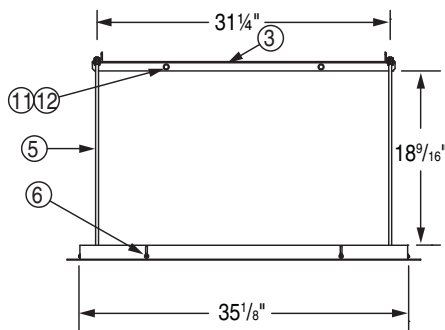
- ⑦ Run unit "up" again to highest position. Measure distance by which panel fails to reach required "closed" height for surrounding ceiling.
- ⑧ Run unit "down" then re-adjust mounting of $\frac{5}{16}$ " rods in traveling grid to raise panel required distance.
- ⑨ Test unit operation to confirm that panel will stop in closed position just before touching ceiling.

⚠ Caution: DO NOT hang from, "ride" or pull down on the unit. This could create a failure and cause damage and/or injury.

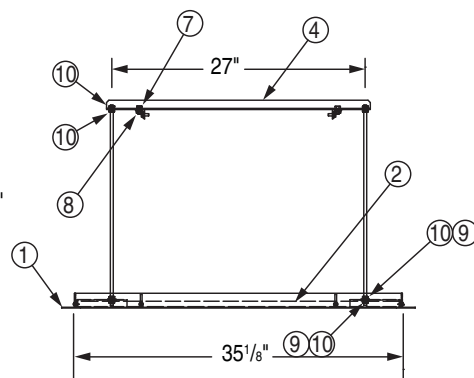
PLEASE NOTE: Immediately upon completion of the surrounding ceiling, unit should be operated to confirm that optional ceiling closure panel by Draper or by others stops $\frac{1}{8}$ " short of touching ceiling in closed position. If closure panel touches, the motor may continue operating after the lift is closed. If it continues to cycle once the lift is closed, a motor failure may occur.



Top View



Side View



Front/Back View

Item	Qty	Part Number	Description
①	1	C028.615.07SA	Frame, U Closure Trim
②	1	C044.204.07SA	Panel, U Assembled Closure
③	2	C002.923.07SA	Bracket, U End Angle
④	2	C002.922.07SA	Bracket, E Front/Back Angle
⑤	4	4 C077.037.49	Rod, Threaded $\frac{3}{8}$ "-16 x 21 $\frac{3}{8}$ " L Zinc
⑥	8	C020.082	Screw, 10-16 X $\frac{1}{2}$ " 6 Lobe Truss Head AB E-White
⑦	4	C020.321	Screw, $\frac{5}{16}$ "-18 x $\frac{5}{8}$ " Grade 5 HH Zinc Cap
⑧	4	C018.045	Nut, $\frac{5}{16}$ "-18 Zinc Hex Keps
⑨	8	C013.050	Washer .375 I.D. x .875 O.D. x .064" TK GRD 2 Zinc Flat
⑩	16	C018.027	Nut $\frac{3}{8}$ "-16 Hex Zinc
⑪	4	C020.152	Screw, $\frac{1}{4}$ "-20 x $\frac{5}{8}$ " Hex Head Grade 2 Zinc Cap Part 1
⑫	4	C013.033	Washer, $\frac{1}{4}$ " Flat

For Additional Safety:

- ① Be sure the nuts that attach the threaded rods to the closure panel are tight.
- ② Wrap a plastic wire tie around the mounting tab and the threaded rod at all four corners of the closure panel (see drawing).

Please Note: Do NOT use a paper-covered or similar wire tie—use only plastic wire ties for maximum safety.

