

PowerFLEX™
Cable Assemblies

PowerPARTS™
Wiring Devices

ISO 9001:2008

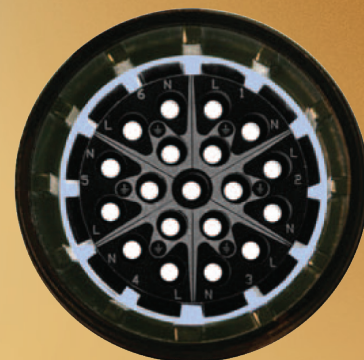
LSC19

Lighting Cable Assemblies
and Connectors

LEX
We Deliver the Power™

PowerFLEX™ and PowerPARTS™

- Introducing a new generation of Lex Products 19 pin, 6-circuit cable assemblies and connectors
- New design eliminates spinning interiors
- Connectors rated for 23 Amps, 600 VAC



**Anti-rotation design with
12 interlocking keys**



Lex Products LSC19 6-Circuit 19 Pin Connectors

PowerPARTS™
Wiring Devices



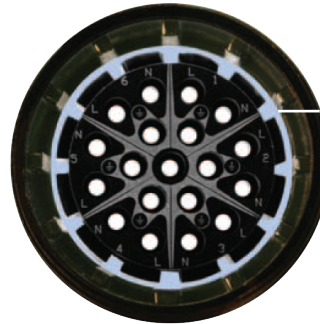
Higher Rating!

- Lex Products' new LSC19 Connectors are UL recognized and rated 23 Amps, 600 VAC
- Each circuit can carry up to a maximum of 23 Amps continuous load
- Interiors are clearly and permanently marked on front and back for ease of wiring and circuit identification

No More Spinning Interiors!

Lex Products' proprietary new anti-rotation design features 12 interlocking keys to help prevent the spinning of an interior within a connector's male or female housing. The new LSC19 connectors help to eliminate this long standing industry problem, while delivering enhanced safety and durability. The new connector design helps lower maintenance requirements and total cost of ownership.

- Helps eliminate broken conductors and loose or damaged ground rings
- Prevents misalignment of male and female circuit conductors



No More Spinning Interiors! New anti-rotation connector features 12 interlocking keys to prevent spinning



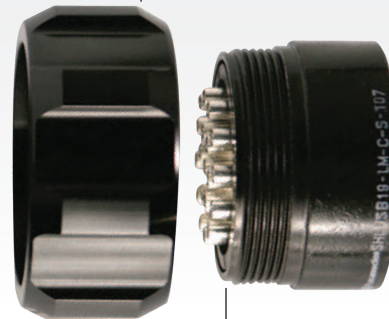
Strain Relief/Sealing Gland helps prevent strain on wire terminations and seals cable entry from ingress of contaminants.



Thermoplastic Insulating Sleeve helps prevent stray wire strands from potentially energizing the housing for added safety.



Ribbed Coupling Ring's precision machine threads provide ease of mating and long life.



Machined Aluminum Housing with hard black anodized finish provides enhanced durability. Precision machine threads provide ease of mating.



Flexible High Temperature Interior is heat and impact resistant and aids in aligning male and female contacts.



"Tempered Spring" Female Contacts maintain constant pressure over the life of the device and help ensure low resistance connections. Silver plated brass contacts allow for high conductivity.



Grounding Rings

A recessed area in the interior accepts the grounding rings, allowing the ground conductors in multi-cable to be bonded. Extended grounding contacts provide First Make Last Break Connection.

Lex Products LSC19 6-Circuit 19 Pin Multi-Cable Extensions

PowerFLEX™
Cable Assemblies

ISO 9001:2008

Features & Benefits

- Proprietary 6-circuit lighting connectors feature 12 interlocking keys to help prevent spinning of the interior within the male and female housings
- Prevents misalignment of male and female circuit conductors and unmateable or mismatched connections
- Helps prevent broken conductors and loose or damaged ground rings
- Multi-cables carry 6-circuits of lighting power inside a single jacket, avoiding 6 individual runs of cable
- “Tempered Spring” female contacts maintain constant pin pressure to help ensure low resistance connections
- Machined aluminum housing with hard black anodized finish provides enhanced durability
- Silver plated brass contacts provide high conductivity
- Specially formulated thermoplastic rubber jacket provides exceptional flexibility and durability
- Available in 12, 14 and 16 AWG to meet specific requirements
- 14 conductor multi-cable offers two lower weight options when bonded grounds are acceptable
- All black construction blends into scenery and is ideal for stage or studio lighting applications



LSC19 Cable Extensions



Ordering Information

Rating	Male Connector	Cable	Female Connector	Catalog No.
20 Amp*, 300 VAC Max (6-circuit)	LSC19-LMC-29	12/18 TPR	LSC19-LFC-29	ME1218-XX-L
20 Amp*, 300 VAC Max (6-circuit) Ground Conductors Bonded	LSC19-LMC-29	12/14 TPR	LSC19-LFC-29	ME1214-XX-L+
15 Amp*, 300 VAC Max (6-circuit) Ground Conductors Bonded	LSC19-LMC-29	14/14 TPR	LSC19-LFC-29	ME1414-XX-L
5 Amp**, 300 VAC Max (6-circuit)	LSC19-LMC-29	16/18 TPR	LSC19-LFC-29	ME1618-XX-L

[†]White Extensions Available - add suffix w

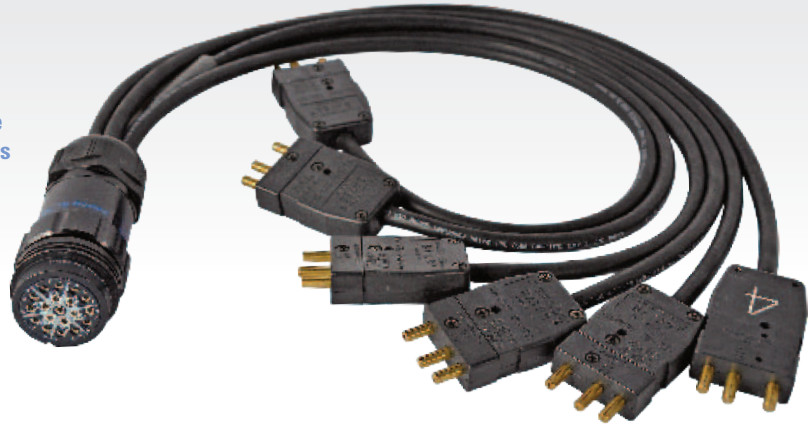
XX to specify cable length. Standard lengths are 5', 10', 15', 25', 50', 75', 100', 125', 150' and 200'.

*Maximum when used with 50% diversity of load (in accordance with table NEC 520-44)

**5 Amps simultaneously on all circuits

LSC19 Break-Ins and Break-Outs

Break-In (6) male
20 Amp stage pins
to female LSC19



Break-In Ordering Information

Rating	Male Connector	Cable	Female Connector	Catalog No.
20 Amp*, 125 VAC	(6) 20 Amp Stage Pins	12/3 SJ00W	LSC19-LFC-36	BI100L-3-SP [†]
15 Amp*, 125 VAC	(6) NEMA 5-15 Edison "All Black"	12/3 SJ00W	LSC19-LFC-36	BI100L-3-515 [†]
20 Amp*, 125 VAC	(6) NEMA L5-20 Locking	12/3 SJ00W	LSC19-LFC-36	BI100L-3-L520
20 Amp*, 250 VAC	(6) NEMA L6-20 Locking "All Black"	12/3 SJ00W	LSC19-LFC-36	BI100L-3-L620

Break-Out male
LSC19 to (6) female
15 Amp NEMA 5-15



Break-Out Ordering Information

Rating	Male Connector	Cable	Female Connector	Catalog No.
20 Amp*, 125 VAC	LSC19-LMC-36	12/3 SJ00W	(6) 20 Amp Stage Pins	BO100L-6-SP [†]
15 Amp*, 125 VAC	LSC19-LMC-36	12/3 SJ00W	(6) NEMA 5-15 Edison "All Black"	BO100L-6-515 [†]
20 Amp*, 125 VAC	LSC19-LMC-36	12/3 SJ00W	(6) 20 Amp Stage Pin Staggered	BO100L-STG-SP
15 Amp*, 125 VAC	LSC19-LMC-36	12/3 SJ00W	(6) NEMA 5-15 Edison "All Black" Staggered	BO100L-STG-515
20 Amp*, 125 VAC	LSC19-LMC-36	12/3 SJ00W	(6) NEMA L5-20 Locking "All Black"	BO100L-6-L520
20 Amp*, 250 VAC	LSC19-LMC-36	12/3 SJ00W	(6) NEMA L6-20 Locking "All Black"	BO100L-6-L620

[†]White Assemblies Available – add suffix w
Custom lengths available. Contact sales.

*Maximum when used with 50% diversity of load (in accordance with table NEC 520-44)

Machined Aluminum 6-Circuit Connectors and Accessories

LSC19 Machined Aluminum 6-Circuit Connectors



Male Inline



Female Inline



Male Panel Mount



Female Panel Mount



Spider Version Inline

Ordering Information

Style	Rating	Male Inline	Female Inline	Cable Diameter Range	Male Panel Mount	Female Panel Mount
Crimp	23 Amp, 600 VAC	LSC19-LMC-29	LSC19-LFC-29	0.55" -1.00"	LSC19-PMC	LSC19-PFC
Solder	23 Amp, 600 VAC	LSC19-LMS-29	LSC19-LFS-29	0.55" -1.00"	LSC19-PMS	LSC19-PFS
PG 36 Version large entry - crimp	23 Amp, 600 VAC	LSC19-LMC-36	LSC19-LFC-36	0.95" -1.25"	N/A	N/A
PG 36 Version large entry - solder	23 Amp, 600 VAC	LSC19-LMS-36	LSC19-LFS-36	0.95" -1.25"	N/A	N/A
Spider Version (Break-In/Break-Out) crimp contact	23 Amp, 600 VAC	LSC19-LMC-SPR	LSC19-LFC-SPR	(6) 12/3 SJT or 0 or (6) 14/3 SJT or 0	N/A	N/A

Accessories



Grounding Rings LSC19-GR



Panel Mount Receptacle
Weatherproof Self Closing Cover
LSC19-WPFC



Crimp Contact Insertion Tool
LSC19-INS



Replacement Contacts
Crimp: Female LSC19-SC
Male LSC19-PC
Solder: Female LSC19-SS
Male LSC19-PS



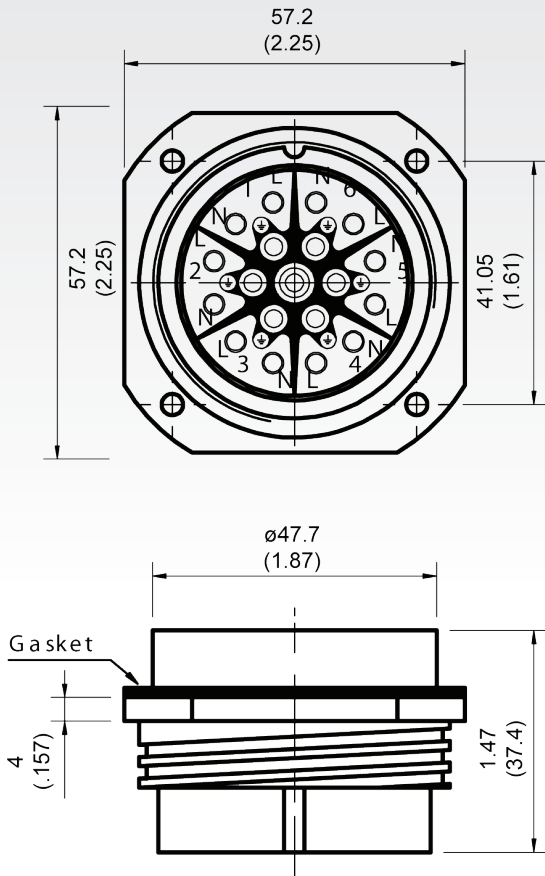
Crimp tool
LSC19-CMP



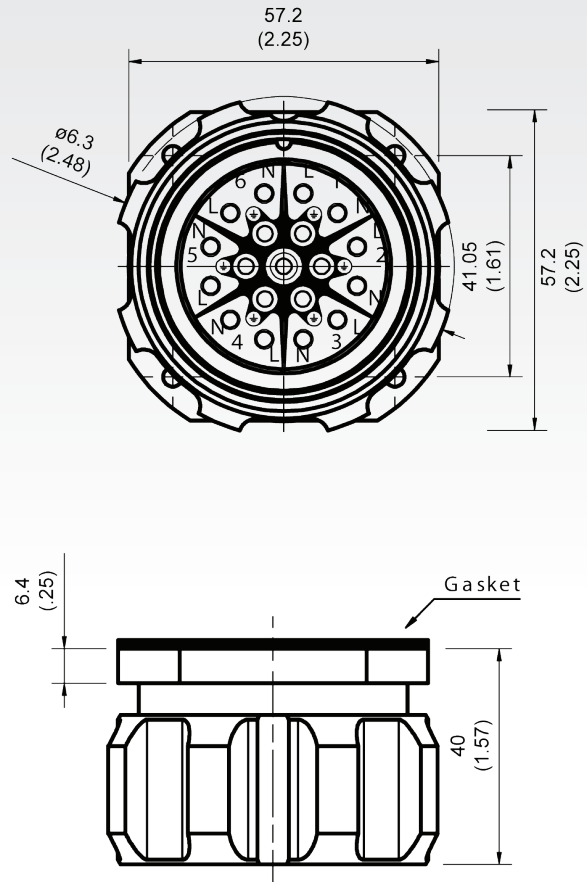
Crimp Contact Removal
Tool LSC19-REM

Panel Mount Dimensions

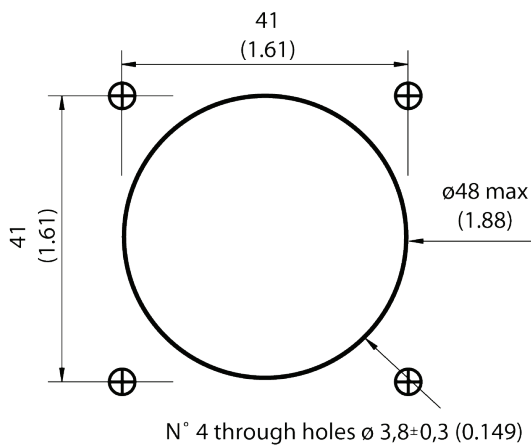
Male Panel Mount



Female Panel Mount



Panel Cut Out



Specifications

Current Rating	23 Amps
Voltage Rating	600 VAC Max
Operating Temp	-55° to +60° degrees C
Ingress Protection	IP67 watertight when mated
Shells	Machined Aluminum
Finish	Hard Black Anodized
Insert	Silicone
Cable Entry	Standard PG29 0.55" to 1.00" PG36 Version 0.95" to 1.25"
Conductor Size	#12 - #16 AWG
Contacts	Silver Plated Brass

LSC19 Lighting Cable Assemblies and Connectors

PowerFLEX™
Cable Assemblies

PowerPARTS™
Wiring Devices

ISO 9001:2008



Lex Products Corporation
15 Progress Drive
Shelton CT 06484
203.363.3738
203.363.3742 Fax

Lex West
11847 Sheldon Street
Sun Valley, CA 91352
818.768.4474
818.768.4040 Fax

www.lexproducts.com
info@lexproducts.com
800.643.4460

© Copyright Lex Products 2012

Produced in the United States of America
05-30 All Rights Reserved.

Lex Products logo and lexproducts.com are
trademarks or registered trademarks of Lex Products
in the United States, other countries, or both.