

7" Modero S Series Tabletop Touch Panel

MST-701 (FG2265-06)



Overview

The MST-701 / 7" Modero S Series Tabletop Touch Panel is a control surface for managing a wide variety of digital and analog devices in conference rooms, classrooms and other types of spaces. The MST-701 has a sleek design that remains affordable due to its ruggedized plastic housing. Key features include a brilliant 24-bit color depth, PoE connectivity, video streaming, and VoIP support – all at an economical price point.

Common Applications

- The MST-701 is ideal for small to mid-size conference rooms on a tight budget, as well as smaller rooms or huddle spaces that require a more flexible and powerful control interface than a keypad or ControlPad. It can also serve as a second control panel in a large conference room or auditorium.
- Combined with the secure table mount kits and Kensington mounts, the MST-701 is perfect for classrooms and other learning spaces where the panel can be securely fixed to a table or other flat surface.

Features

- **Powerful Graphics** – Powered by the G4 graphics engine, the Modero S Series features streaming video and brilliant 24-bit color depth
- **Elegant & Responsive User Interface** – Exclusive SmoothTouch™ display supports single touch gesturing and delivers responsive performance
- **Architectural Design Consistency** – Install both Modero S and Modero X touch panels throughout a facility for consistent style on any budget
- **Secure Table Mounting Option** – Our beautifully styled secure mounting plate attaches to the Modero S tabletop touch panels and secures with under-table tamper resistant bolts making it virtually theft proof
- **Optional Kensington Mount** – If it's not possible or desirable to mount the touch panel to the table, the secure plate can also be used in conjunction with a Kensington Lock

Specifications

TOUCH SCREEN DISPLAY	
Display Type	TFT Active Matrix Color LCD with Fringe Field Switching (FFS) - Wide Viewing Angle Technology
Display Size (WH)	7.3" x 4.8" (186 mm x 122 mm), 8.8" (222 mm) diagonal
Viewable Area (WH)	6.05" x 3.54" (154 mm x 90 mm), 7.0" (178 mm) diagonal
Resolution (WH)	1024x600
Aspect Ratio (WH)	16:9
Brightness	400 cd/m2
Contrast Ratio	800:1
Color Depth	16.7M colors
Illumination	LED
Touch Overlay	Resistive
Viewing Angle	89°/89°/89°/89° (Up/Down/Left/Right)

MEMORY	
SDRAM	512 MB
Flash	4 GB
Maximum Project Size	2.4 GB flash available to user

COMMUNICATIONS	
ETHERNET	10/100 port, RJ-45 connector. Supported IP and IP-Based Protocols: UCP, TCP, ICMP, ICSP, IGMP, DHCP, Telnet, FTP, DNS, RFB (for VNC), HTTP
USB	(1) USB host 2.0, Type A port: firmware upgrade, touch panel file transfer, JPEG image viewer, HID peripherals
Bluetooth®	Mouse/Keyboard: HID Profile v1.1, requires MXA-BT, Bluetooth USB Adapter for Modero X/S Series Touch Panels (FG5968-19) and MXA-HST, Bluetooth Handset for Modero X/S Touch Panels (FG5968-17)

VIDEO	
Supported Video Codecs	MPEG2-TS: MPEG-2 Main Profile @High Level up to 720p at 25 fps (decode) MPEG-2-TS: H.264 High Profile@Layer 4, AAC-LC up to 720p at 25 fps (decode) MJPEG up to 720p at 25 fps (decode only)
Supported Video Transport Streams	MPEG-TS for MPEG2 and H.264; HTTP for MJPEG
Max Number of Active Video Streams	One decode

AUDIO	
Microphone	-42dB ± 3dB sensitivity FET microphone
Speakers	4 ohm, 1.5 Watt, 500Hz cutoff frequency
Supported Audio Codecs	MP2 Layer I and II, MP3 (8 kHz, 11.025 kHz, 12 kHz, 16 kHz, 22.05 kHz, 24 kHz, 32 kHz, 44.1 kHz, 48 kHz) AAC-LC (8 kHz, 96 kHz) G.711 with µLaw (VoIP encode/decode at 8kHz)

File Formats	WAV, MP3 (as part of touch panel file only - no USB storage)
Intercom	Full Duplex VoIP, SIP v2.0 (supported with AMX-CSG)

GRAPHICS ENGINE	
AMX G4	AMX's exclusive, powerful G4 graphics engine – the driving force behind the advanced graphics and image processing capability on a variety of AMX Touch Panels and other devices (see TPD4 Operations Guide for more information)

EMBEDDED APPLICATIONS	
Remote Management	VNC Server, G4 Web Control
Panel-to-Panel Conferencing	Receives audio and video and returns audio for panel-to-panel communication
Audio Conferencing	Audio (full duplex intercom)

FRONT PANEL COMPONENTS	
Sleep Button	Sleep button to activate sleep mode and powering off. Also provides access to setup pages (can be disabled)

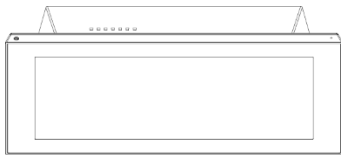
CONNECTIONS	
Ethernet	10/100 port, RJ-45 connector
USB	(1) USB host 2.0, Type A port
Power	PoE (Power over Ethernet), 802.3af, class 0

ENVIRONMENTAL	
Temperature (Operating)	32° F to 104° F (0° C to 40° C)
Temperature (Storage)	4° F to 140° F (-20° C to 60° C)
Humidity (Operating)	20% to 85% RH
Humidity (Storage)	5% to 85% RH
Power ("Heat") Dissipation	On: 27.3 BTU/hr Standby: 10.9 BTU/hr

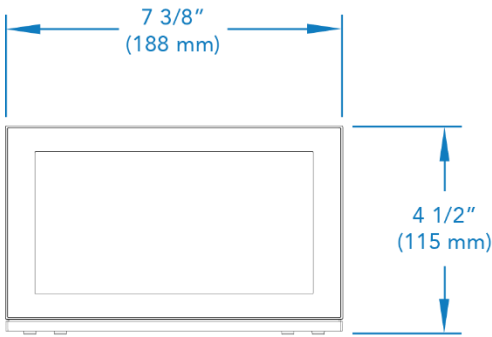
GENERAL	
Dimensions (HWD)	4 1/2" x 7 3/8" x 3 3/16" (115 mm x 188 mm x 81 mm)
Weight	1.4 lbs (.635 Kg)
Power Consumption	Full-On: 13 W (max) Typical: 7 W Standby: 4.5 W Shutdown: 0.7 W
Start-Up Inrush Current	Not applicable due to PoE standard
External Power Supply Required	Optimal performance requires use of one of the following AMX PoE power supplies (not included): PS-POE-AF-TC, PoE Injector, 802.3AF Compliant (FG423-83) NXA-ENET8-2POE, Gigabit PoE Ethernet Switch (FG2178-63)
Certifications	FCC Part 15 Class B C-Tick CISPR 22 Class B IEC 60950-1 CE EN 55022, EN 55024 and EN 60950-1 UL 60950-1

	<p>IC CISPR 22 Class B VCCI CISPR 22 Class B RoHS/WEEE compliant</p>
Included Accessories	<ul style="list-style-type: none"> •MXA-USB-C, USB Port Cover Kit, Modero X Series Touch Panel (FG5968-18) •Cat5e Ethernet Cable, Flat Black (ECA2265-10) •UTP CAT.5E Snap In Coupler, Black (64-5968-01)
Optional Accessories	<ul style="list-style-type: none"> •MXA-MP, Modero X/S Series Multi Preview (FG5968-20) •MXA-MPL, Modero X/S Series Multi Preview Live (FG5968-10) •PS-POE-AF-TC, PoE Injector, 802.3AF Compliant (FG423-83) •NXA-ENET8-2POE, Gigabit PoE Ethernet Switch (FG2178-63) •MXA-BT, Bluetooth USB Adapter for Modero X/S Series Touch Panels (FG5968-19) •MXA-HST, Bluetooth Handset for Modero X/S Touch Panels (FG5968-17) •MSA-STMK-07, Secure Table Mount Kit 7" Modero S Tabletop (FG2265-17) •MXA-CLK, Modero X/S Series Cleaning Kit (FG5968-16) •MXA-USB-C, USB Port Covers (FG5968-18) •HPG-10-10K, 3/4" Mini-Grommet, 10-Pack (FG570-01-10K)

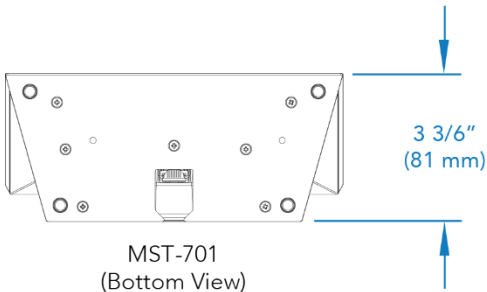
For a more detailed PDF or DXF pictorial drawing please visit: <http://www.amx.com/products/MST-701.asp>



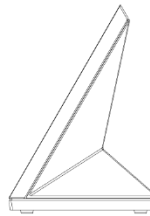
MST-701
(Top View)



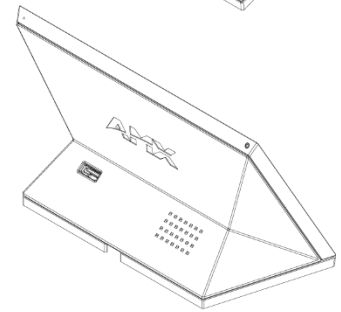
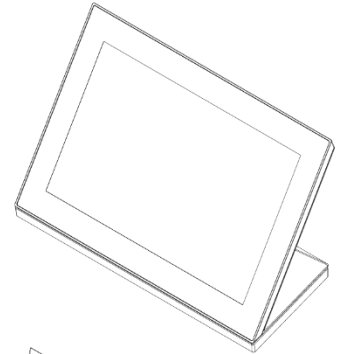
MST-701
(Front View)



MST-701
(Bottom View)



MST-701
(Right View)



MST-701
(Isometric Views)

About AMX by HARMAN

Founded in 1982 and acquired by HARMAN in 2014, AMX® is dedicated to providing AV solutions for an IT World. AMX solves the complexity of managing technology with reliable, consistent and scalable systems comprising control, video switching and distribution, digital signage and technology management. AMX systems are deployed worldwide in conference rooms, classrooms, network operation/command centers, homes, hotels, entertainment venues and broadcast facilities, among others. AMX is part of the HARMAN Professional Group, the only total audio, video, lighting, and control vendor in the professional AV market. HARMAN designs, manufactures and markets premier audio, video, infotainment and integrated control solutions for the automotive, consumer and professional markets. Revised 11.4.14. ©2014 Harman. All rights reserved. Specifications subject to change.

www.amx.com | +1.469.624.7400 | 800.222.0193