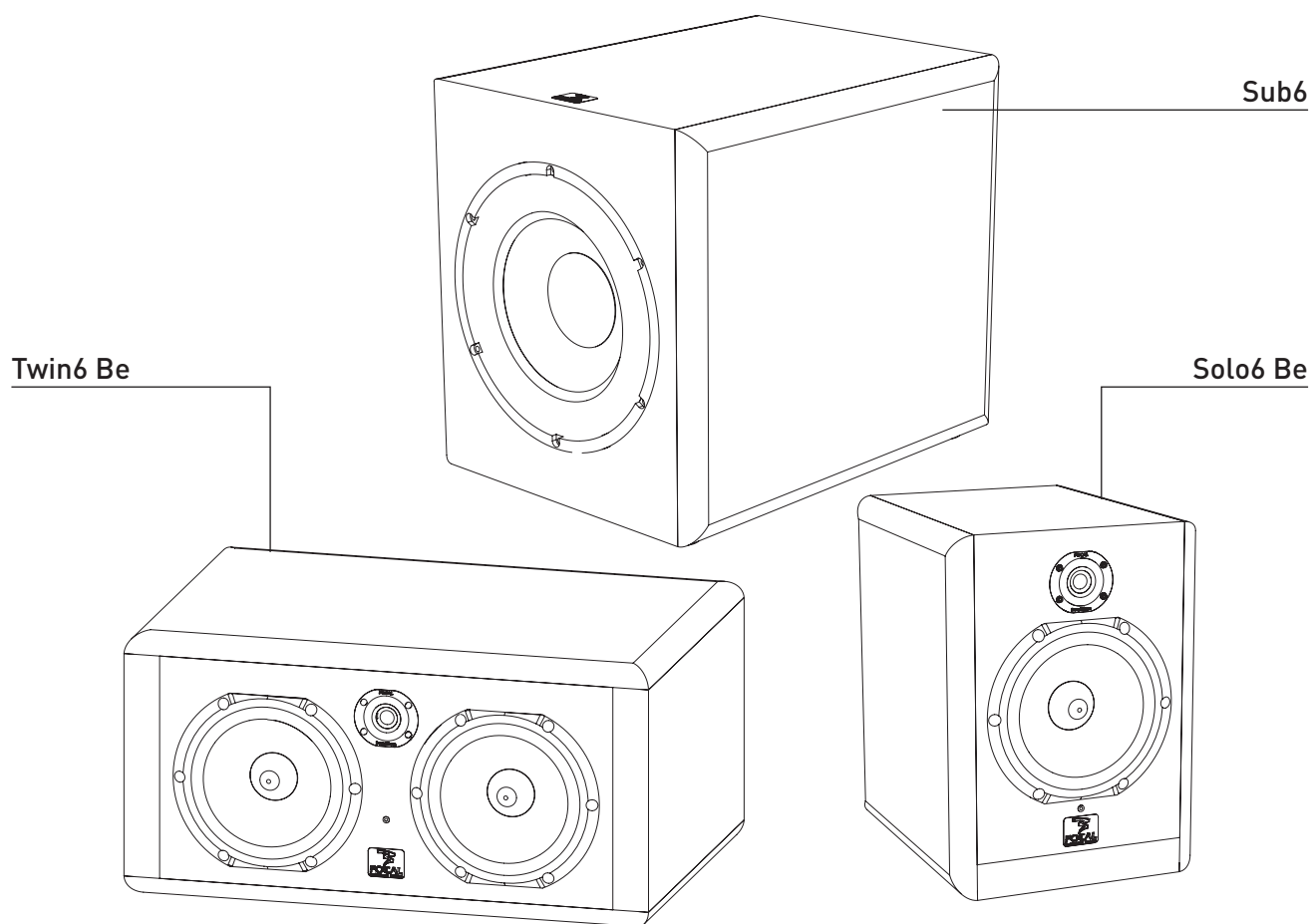


SOL06 BE - TWIN6 BE - SUB6

Professional Analog Monitoring System

User manual / Manuel d'utilisation



SOLO6 BE - TWIN6 BE - SUB6

Professional Analog Monitoring System - User manual

2

An example of this equipment has been tested and found to comply with the following European directives and international standards:

Electromagnetic compatibility

EN 55103

EN 61000

Electrical safety

EN 60065

Important safety information

Please read carefully the following instructions and safety information. Heed all warnings and follow all instructions.

- Do not remove the back panel. There are no user serviceable parts inside; please refer to qualified service personnel. This equipment must be earthed.
- Protect the power cord from being walked on or pinched particularly at plugs, convenience receptacles, and the point where they exit from the apparatus.
- Only use attachments/accessories specified by the manufacturer.
- Servicing is required when the unit has been damaged in any way, such as power cord or plug is damaged, liquid has been spilled or objects have fallen into the unit, the unit has been exposed to rain or moisture, does not operate normally, or has been dropped.
- Do not place naked flame sources, such as lighted candles, on the apparatus.
- Use the apparatus only in moderate climates (not in tropical climates).
- Do not expose the apparatus to dripping or splashing.
- Do not place objects filled with liquids, such as vases, on the apparatus.



CAUTION!
RISK OF ELECTRIC SHOCK
DO NOT OPEN
DO NOT EXPOSE TO RAIN OR MOISTURE

The Solo6 Be and Twin6 Be use a tweeter equipped with a Beryllium dome, allowing a frequency range extending beyond 40kHz. In its solid form, Beryllium is harmless. However, due to its nature, certain special precautions should be observed to avoid exposure to unnecessary risk:

- Under no circumstances should the Beryllium dome be subjected to any form of abrasive action. To ensure no accidental damage to the tweeter dome it is advised to carefully replace the protection covers while not in use.
- In the unlikely case of damage to the dome, of any form, a wide piece of adhesive tape should be immediately used to seal the whole front surface of the tweeter. The protective cover should then be replaced and also taped securely in place. You should then inform the dealer from whom you purchased the product so that the tweeter can be removed by a professional and returned to the product distributor for replacement.
- If the dome is broken in any way giving rise to loose particles of Beryllium, these should be carefully collected with the use of an adhesive tape and sealed in a zip-top bag to be returned with the tweeter.

For further information, please contact Focal-JMLab directly: beryllium@focal.com

SOLO6 BE - TWIN6 BE - SUB6 - INTRODUCTION

Professional Analog Monitoring System - User manual

3

Thank you for choosing the FOCAL Solo6 Be - Sub 6 - and/or Twin6 Be. The Solo6, Twin6 Be, and the Sub6 are world class Professional Monitoring Systems. They have been designed to offer superior imaging, outstanding precision and extended frequency range, in a compact format suitable for near field monitoring.

Unpacking

In addition to one loudspeaker and a user manual (such as this one), each Solo6 or Twin6 carton should contain:

- A power cord.
- A guarantee card.
- A protection grille for the Beryllium tweeter (you are advised to remove it before listening to the speakers).
- A plastic bag containing an information note "Beryllium inverted dome tweeter", and some adhesive tape to affix on the tweeter in the unlikely event of the dome being damaged.

In addition to one subwoofer and a user manual each Sub6 carton include:

- A power cord.
- A guarantee card.
- A grille protecting the drive unit (which it is advisable to remove whenever possible).

Please check that none of these items are missing, and remove all accessories from the carton.

To remove the loudspeaker from its carton without damage, open the end flaps fully and bend them right back. Then remove the upper cushion and lift the loudspeaker out gently. Inspect the speaker for signs of any possible damage. In the unlikely event of this having occurred please inform the carrier and supplier. It is a good practice to keep the packaging in case of future transportation.

Preliminary recommendations

We would like to give a word of warning about the high sound pressure levels that can be generated by these loudspeakers, especially in a 5.1 configuration. Because of their low levels of distortion, and the minimal fatigue incurred by the user, it is not always obvious to realise the actual sound pressure level while working.

Please bear in mind that exposure to excessive levels over a sustained period of time may lead to permanent hearing loss.

Warranty

These products are guaranteed against defects in components and workmanship only, for a period of two years from the date of shipment to the end user for countries of the European Union. For other countries, please refer to the law in effect.

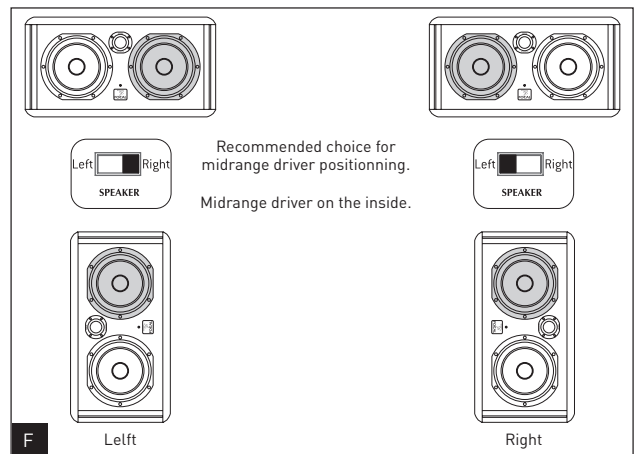
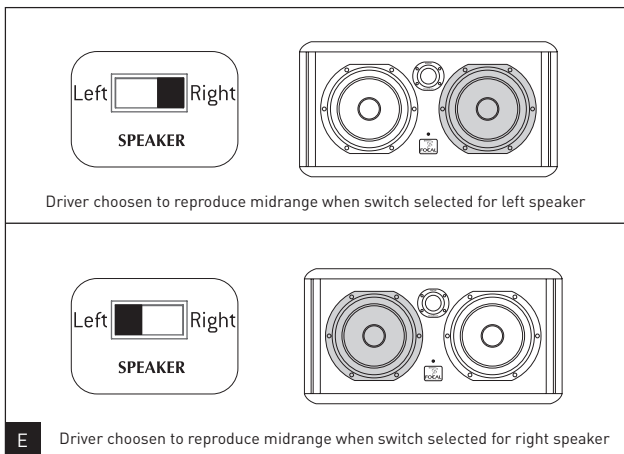
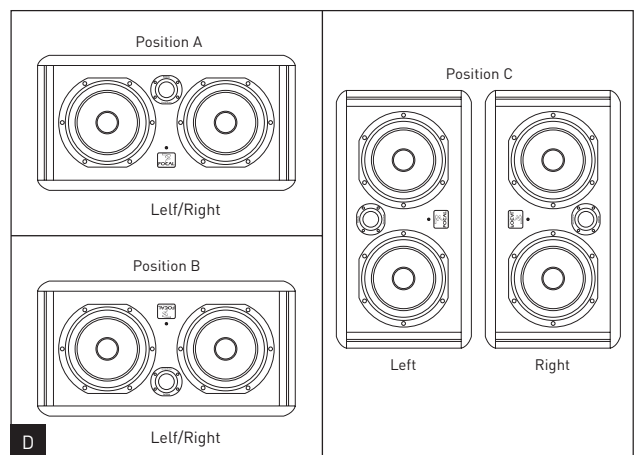
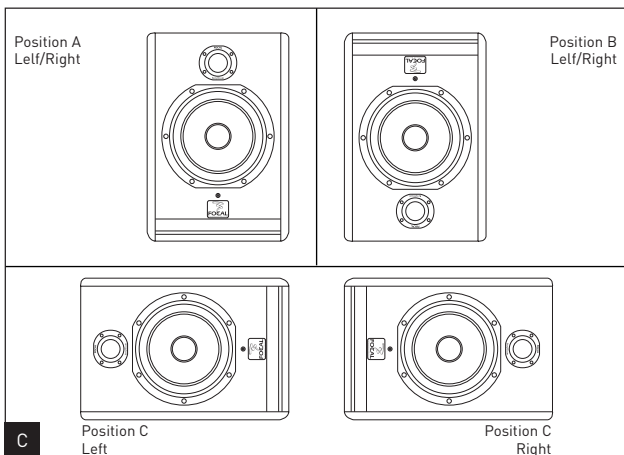
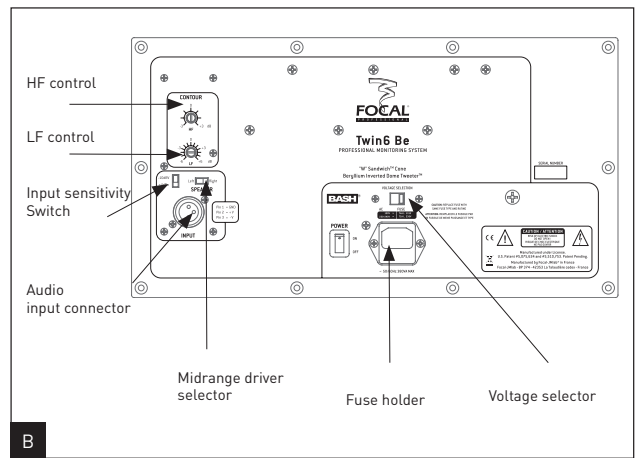
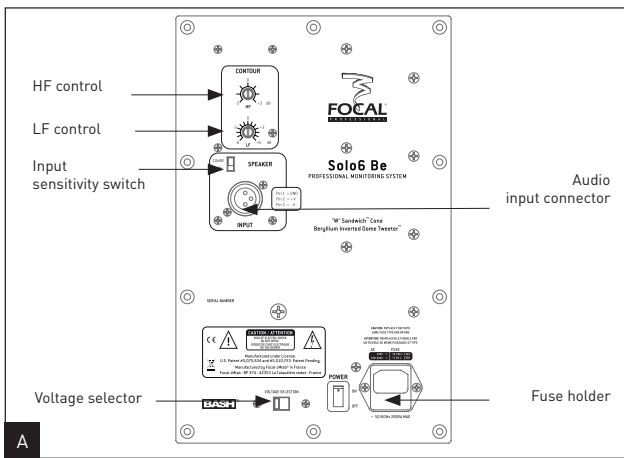
During the warranty period Focal will, at their discretion, either repair or replace products which prove to be defective, provided that the product is returned, shipping prepaid, to an authorised Focal service facility.

Defects caused by unauthorised modifications, accident, negligence or any misuse are not covered by this warranty.

For further information please contact your dealer or the distributor in your country.

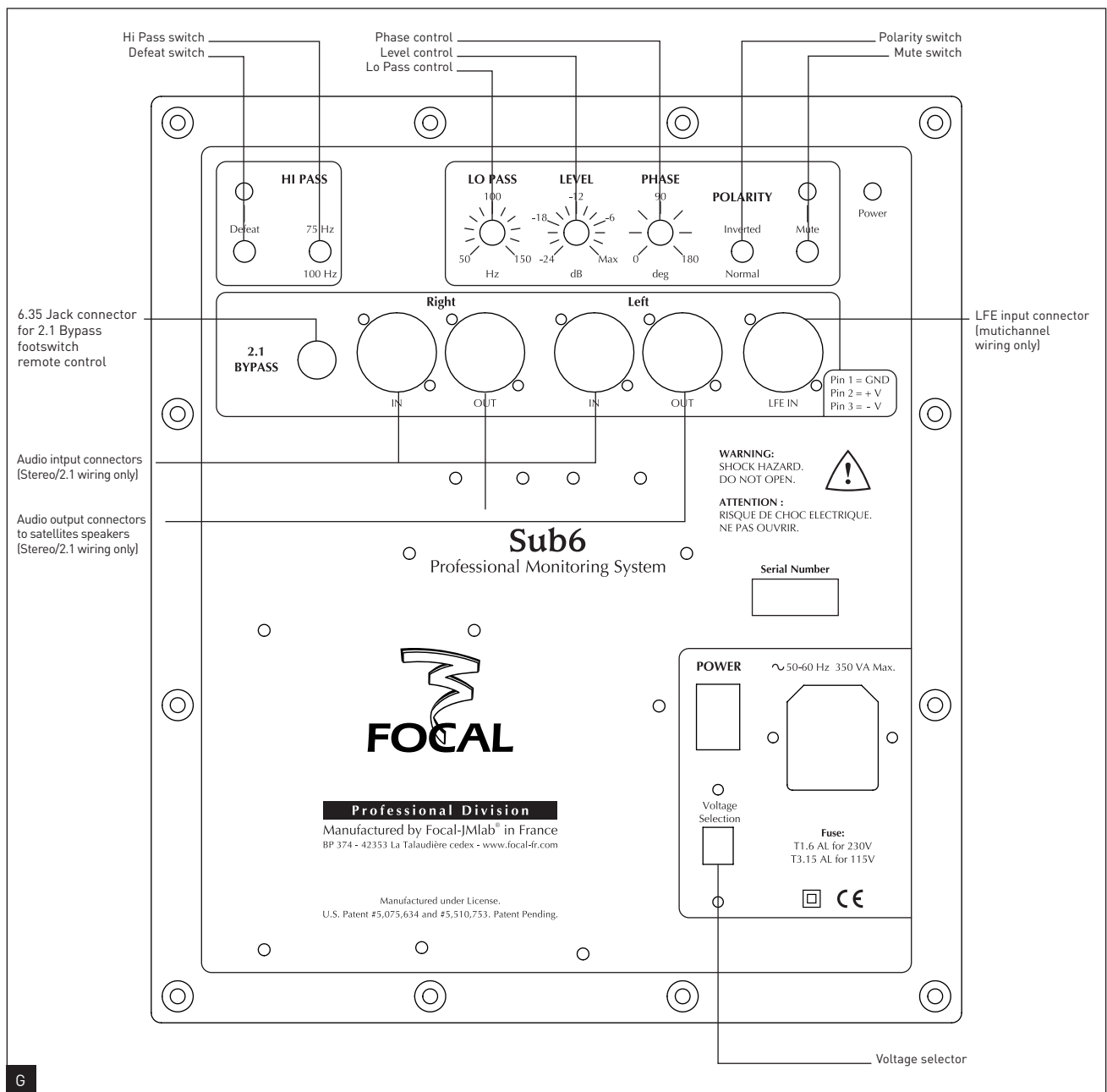
SOLO6 BE - TWIN6 BE - SUB6

Professional Analog Monitoring System - User manual



SOLO6 BE - TWIN6 BE - SUB6

Professional Analog Monitoring System - User manual



SOLO6 BE - TWIN6 BE - SUB6: PRODUCT OVERVIEW

Professional Analog Monitoring System - User manual

6

Solo6 Be

The Solo6 Be is a two-way active loudspeaker (2 internal amplifiers channels), comprising one "W" cone 6.5" low/mid unit, loaded with a large cross-section laminar port, and an inverted pure Beryllium dome (*fig. A*).

Twin6 Be

The Twin6 Be is a three-way active loudspeaker (3 internal amplifiers channels), comprising two "W" cone 6.5" low/mid units, loaded with two large cross-section laminar ports, and an inverted pure Beryllium dome. The two 6.5" drive units operate at low frequencies but only one of them (either can be selected) will reproduce the midrange (*fig. B*).

Sub6

The Sub6 is an active subwoofer (1 integral amplifier) designed for professional monitoring systems. It uses a 11" drive unit equipped with a "W" composite cone, and loaded by a large cross-section laminar port (*fig. G*).

The Sub6 may be used :

- For bass or sub-bass enhancement in stereo + sub setups (2.1 or 2.2). The rear panel of the Sub6 allows for the connection of a traditional stereo source (Left In / Right In), while providing hi-passed outputs intended to feed the main speakers (satellites),
- As a LFE channel (Low Frequency Effects) in a multi-channel installation (5.1, 5.2, 6.1...), via a dedicated input of the rear panel.

Installing

Mains voltage

After having unpacked the unit, first check that the operating voltage is correctly set (see location on rear panel). If it is not, adjust the selector to the appropriate position. Also check and if necessary replace the fuse, which rating depends on the operating voltage (please refer to technical specifications).

The Solo6 and Twin6 must be earthed using the power cord supplied.

Audio connections: general

The audio signal is to connect to the XLR inlet. This is a balanced input, which use the standard cabling scheme, namely:

- Pin 1 = Ground (shield)
- Pin 2 = In phase voltage ("hot")
- Pin 3 = Out-of-phase voltage ("cold")

If the audio source is unbalanced, common practice is to link "cold" and ground pins (pins 3 and 1 respectively). This is generally achieved within the cable.

Audio connections: Sub6 (*fig. G*)

Stereo + Sub setup (2.1 or 2.2):

Left IN: this input is intended to receive the signal coming from the left channel of your source (mixing console, or other...).

Right IN: this input is intended to receive the signal coming from the right channel of your source (mixing console, or other...).

Left OUT: this output is intended to connect to the left main loudspeaker of your system. The signal supplied by this output is internally processed through a high pass filter.

Right OUT: this output is intended to connect to the right main loudspeaker of your system. The signal supplied by this output is internally processed through a high pass filter.

Multichannel configuration:

LFE: this input is intended to feed your Sub6 in a multichannel application (5.1, 5.2, 6.1, ...): this channel is dedicated to low frequencies only.

SOLO6 BE - TWIN6 BE - SUB6: PRODUCT OVERVIEW

Professional Analog Monitoring System - User manual

7

Positioning

The Solo6 Be and Twin6 Be are designed for near field monitoring and should be placed at a distance between 1 and 3 metres from the listener, pointing towards the listening position. They can be sitting on the console top or placed on appropriate stands. In any way it is recommended that the tweeter is at a height from the floor approximately equivalent to that of the listener's ears. If required it can make sense to place the speakers upside down so that the previous rule is better fulfilled **(fig. C,D)**.

The Solo6 Be could be used vertically or horizontally depending on the environment, preferably pointing towards the listener **(fig. C)**.

By design the Twin6 Be's are rather intended for a landscape orientation, though in some situations they could be positioned vertically. As seen in the earlier rear panel description, the Twin6 Be has a switch allowing to choose which drive unit is to reproduce the mid frequencies (see below) **(fig. E)**. Consequently it will always be possible, as desirable, to configure the speakers in a "mirror" (ie symmetrical) way **(fig. F)**. As a general rule having the "midrange" driver on the inside of the cabinet results in better imaging.

Optimal positioning of the Sub6 may vary depending on the surface, the shape and acoustic properties of the listening room. You are advised to try various locations so to choose the one giving the best possible and most level sound balance. As a rule of thumb the optimal location will often be in a corner of the room.

SOLO6 BE - TWIN6 BE - SUB6: : USING THE SYSTEM

Professional Analog Monitoring System - User manual

8

Running in

As in all brand new loudspeaker the drivers need some run in period: they are mechanical elements demanding a little time to settle and adapt to the climatic environment. This period will vary depending of the working conditions and may take up to a few weeks. Avoid pushing the speakers very hard during their first hours of use, but to accelerate the run-in process it is good practice to operate the speakers at moderate levels for 20 hours or so, with programmes having significant low frequency content. Only once the transducers have come to stabilize will you get the optimum performance.

Solo6 Be/Twin6 Be/Sub6 Controls

Speaker switch (Left/Right) : only for Twin6 Be

This switch allows the user to select which one of the two 6.5" drivers will reproduce the midrange. By convention, the "Right" position of the switch will select the left hand side driver (when facing the cabinet laying horizontally). Conversely in the "Left" position the right hand side driver (facing the cabinet) will be the one operating in the mid frequencies. It is easy to figure how useful this control is when it comes to get the best possible imaging in any cabinet layout (*fig. E,F*).

Input switch

The input sensitivity can be adjusted using this two position switch. The +4dBu position is suitable for standard professional audio equipment, while -10dBV position may be used for other types of sources providing a lesser output level.

HF contour

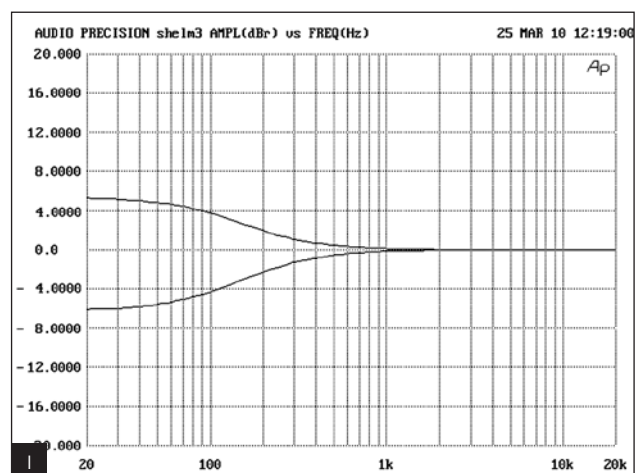
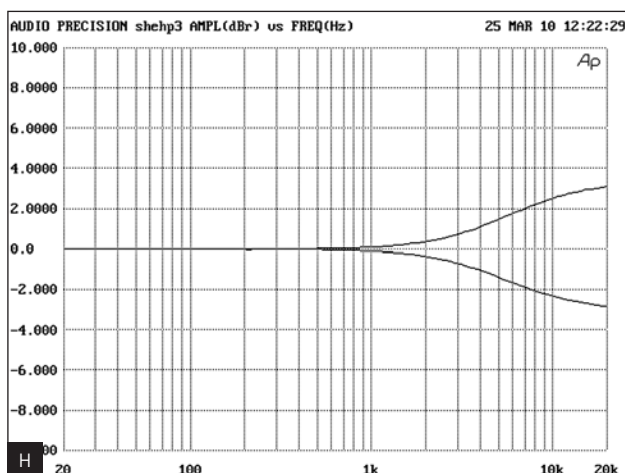
This control allows for a continuous adjustment of the high frequency level; it operates above 5kHz within a ± 3 dB range (*fig. H*).

LF contour

This control allows for a continuous adjustment of the low frequency level; it operates below 150Hz within a ± 6 dB range (*fig. I*). This adjustment is typically useful to deal with possible excessive level of LF energy resulting from acoustic coupling associated with close reflecting surfaces: mixing console, nearby walls...

Power on indicator

A power on LED is located on the cabinet front panel, near the Focal logo.



SOLO6 BE - TWIN6 BE - SUB6: USING THE SYSTEM

Professional Analog Monitoring System - User manual

9

Sub6 controls (fig. G)

Level

This adjustment allows to set the sound level of the subwoofer relative to that of the main loudspeakers. It should also be optimised taking into account the actual location of the subwoofer and its acoustic consequences: for example in an angle the 6 dB acoustic gain should be compensated by an equivalent attenuation to maintain the overall balance of the system.

Mute

This switch will turn out the output signal of the subwoofer channel (making it silent does not require to switch the power off). When muting the subwoofer the high pass filters used for the main speakers will remain active.

Hi Pass

This area is dedicated to the setting of the high pass filters intended for the main speakers in a 2.1 configuration. The "Defeat" switch allows to disable (ie by-pass) these filters. The 75 Hz / 100 Hz switch allows to select the cut-off frequency, in order to optimise the acoustic recombination between the satellites and the Sub6.

Lo Pass

This potentiometer adjusts the cut-off frequency of the low pass filter on the subwoofer channel, thus setting the upper frequency range to be reproduced by the Sub6. The goal is to achieve the smoothest frequency response of the whole system: sub + satellites.

Polarity

This switch inverts the signal polarity on the subwoofer channel (ie 180° phase shift).

Phase

This potentiometer provides some fine adjustment of the phase on the subwoofer channel. Combined with the polarity switch it can be used to compensate for the spacing between the sub and the main speakers, so to get a coherent soundfield through a proper time alignment of the different sources.

2.1 Bypass

This input allows for plugging in a control footswitch (not supplied) via a ¼" jack connector.

Turning it active will :

- mute the subwoofer channel
 - defeat the high pass filters in the satellites signal paths. The satellites will then be fed with full range signals.
- This facility allows for instantaneous comparison between the 2.1 configuration (with sub) and the traditional stereo setup (without sub) with the same system.

Power indicator

Power "LED" indicator.

SOLO6 BE: TECHNICAL SPECIFICATIONS

Professional Analog Monitoring System - User manual

10

SYSTEM

Frequency response	40Hz - 40kHz
Maximum SPL	113dB SPL (peak @ 1m)

ELECTRONIC SECTION

Input	Type/Impedance Connector Sensitivity	Electronically balanced / 10 kOhms XLR Adjustable, +4dBu ou -10dBV
LF amplifier stage HF amplifier stage		150W rms, BASH® technology 100W rms, class AB
Power supply	Main Voltage Connection	230V (1.6A fuse rating) 115V (3.15A fuse rating) IEC inlet and detachable power cord
User controls		Input level switch LF and HF contours (potentiometers) Power ON/OFF switch, mains voltage selector
Indicator		Power on LED

TRANSDUCERS

Woofer	"W" cone, Focal 6W4370B 6.5" drive unit
High frequency	Focal TB871 inverted Beryllium dome tweeter
Shielding	Integral through cancellation magnets or by magnet design

CABINET

Construction	19mm MDF panels with internal braces
Finish	Real red veneer on sides
Dimensions (HxWxD)	330mm x 240mm x 290mm - (13"x9.5"x11.4")
Weight	11kg - (24.2lb)

All specifications are subject to change.

TWIN6 BE: TECHNICAL SPECIFICATIONS

Professional Analog Monitoring System - User manual

11

SYSTEM

Frequency response	40Hz - 40kHz
Maximum SPL	115dB SPL (peak @ 1m)

ELECTRONIC SECTION

Input	Type/Impedance Connector Sensitivity	Electronically balanced / 10 kOhms XLR Adjustable, +4dBu ou -10dBV
LF amplifier stage LF/MF amplifier stage HF amplifier stage		150W rms, BASH® technology 150W rms, BASH® technology 100W rms, class AB
Power supply	Main Voltage Connection	230V (2A fuse rating) 115V (4A fuse rating) IEC inlet and detachable power cord
User controls		Input level switch Speaker (left/right) switch LF and HF contours (potentiometers) Power ON/OFF switch, mains voltage selector
Indicator		Power on LED

TRANSDUCERS

Woofers	2 x "W" cone, Focal 6W4370B 6.5" drive unit
High frequency	Focal TB871 inverted Beryllium dome tweeter
Shielding	Integral through cancellation magnets or by magnet design

CABINET

Construction	19mm MDF panels with internal braces
Finish	Real red veneer on sides
Dimensions (HxWxD)	250mm x 500mm x 340mm - (9.8" x 19.7" x 13.4")
Weight	14kg - (30.8lb)

All specifications are subject to change.

SUB6 BE: TECHNICAL SPECIFICATIONS

Professional Analog Monitoring System - User manual

12

SYSTEM

Frequency response	30Hz - 250Hz
Maximum SPL	116dB SPL (peak @ 1m)

ELECTRONIC SECTION

Input	Type/Impedance	Left, Right, LFE
	Connector	Electronically balanced / 10kOhms
Output (to satellites)	Connector	Female 3 pins XLR
	Sensitivity	Variable
Amplifier	Type/Impedance	Left, Right
	Connector	Electronically balanced / 50 Ohms
Internal processing and functions	Connector	Male 3 pins XLR
	350 W rms, BASH® technology	
User controls	Subwoofer section	Left + Right mono summation LFE + lo-passed mono sum 24dB/octave variable lo-pass filter Phase adjustment
	Satellite section	Polarity 24dB/octave, defeatable hi-pass filters with selectable frequency
Indicators (LED's)	Sub level (sensitivity) adjustment	
	Lo-pass frequency adjustment	
Power supply	Phase adjustment	
	Polarity switch	
Indicators (LED's)	Mute	
	2.1 bypass (controlled by external footswitch)	
Power supply	Hi-pass frequency selection	
	Hi-pass defeat	
Indicators (LED's)	Power on	
	Mute	
Power supply	Hi-pass defeat	
	Mains voltage	230V (T1.6AL fuse rating) or 115V (T3.15AL fuse rating)
Power supply	Connection	IEC inlet and detachable power cord

TRANSDUCERS

Subwoofer	"W" composite sandwich cone, high-excursion Focal 11W7670, 270mm (10.6") drive unit
-----------	---

CABINET

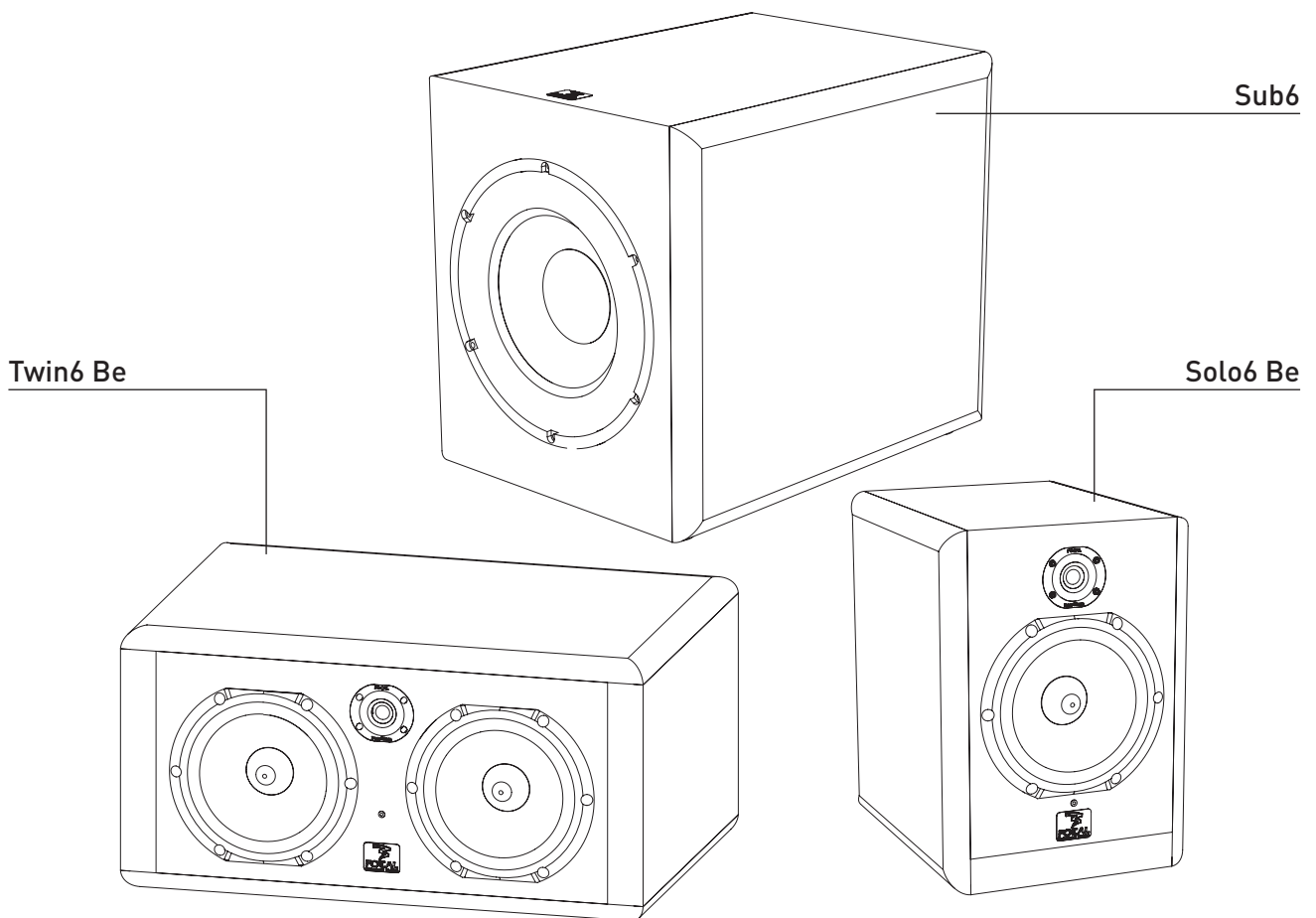
Construction	22mm MDF panels with internal braces
Finish	Real red veneer on sides - Black on body
Dimensions (HxWxD)	380mm x 344mm x 440mm (15" x 13.5" x 17.3")
Weight	23kg (50.7lb)

All specifications are subject to change.

SOLO6 BE - TWIN6 BE - SUB6 BE

Systeme de Monitoring Analog Professionnel

Manuel d'utilisation



SOLO6 BE - TWIN6 BE - SUB6 BE

Système de Monitoring Analog Professionnel - Manuel d'utilisation

14

Un échantillon de ce produit a été testé et déclaré en conformité avec les directives européennes et autres normes internationales suivantes :

Compatibilité électromagnétique

EN 55103

EN 61000

Sécurité électrique

EN 60065

Informations de sécurité

Nous vous conseillons de lire toutes les instructions de ce manuel et de tenir compte des consignes de sécurité suivantes. Après lecture, conservez cette notice dans un endroit sûr afin de pouvoir vous y référer ultérieurement.

- Ne pas retirer le panneau arrière. L'intérieur du système ne possède pas de pièces réparables par l'utilisateur. Pour toute réparation, vous référer à du personnel qualifié. Cet équipement doit être connecté à la terre.
- Le câble secteur ne doit être ni plié, ni écrasé, ni noué. Veillez à ne pas tordre le câble au niveau du connecteur et à prévoir éventuellement des passages protégés pour ne pas le piétiner.
- Utilisez exclusivement les accessoires et les connexions recommandés par le fabricant.
- La vérification par un service professionnel qualifié est nécessaire lorsque le cordon secteur ou les connecteurs sont endommagés, qu'un liquide ou qu'un objet s'est infiltré, qu'il a été exposé à la pluie ou à l'humidité, qu'il ne fonctionne pas normalement ou qu'il a subi une chute.
- Évitez la proximité avec des sources de chaleurs (radiateur, halogène, bougie...).
- Ne pas utiliser cet appareil en climat tropical.
- Ne pas exposer cet appareil aux projections d'eau.
- Ne pas poser un récipient rempli de liquide pouvant occasionner un écoulement sur les parties électroniques.



Attention !

Risque de choc électrique

Ne pas ouvrir

Ne pas exposer à l'eau ou à l'humidité

Précautions d'utilisation

Les Solo6 Be et Twin6 Be utilisent un tweeter à dôme inversé en Béryllium pur, capable d'étendre la bande passante à plus de 40 kHz. Sous sa forme solide, ce matériau est inoffensif. Toutefois, de par sa nature, certaines précautions doivent être appliquées pour ne pas s'exposer à des risques inutiles :

- Le dôme béryllium ne doit jamais être au contact d'une matière abrasive.
- Si le dôme béryllium est endommagé sous quelque forme que ce soit, le recouvrir dès que possible sur toute sa surface de la bande adhésive de protection fournie. Vous la trouverez dans le sachet plastique contenant la notice dédiée au tweeter à dôme inversé en Béryllium pur. Prendre contact avec le revendeur afin de démonter et de remplacer le tweeter auprès d'un service compétent chez le distributeur.
- Si le dôme est brisé, les particules éventuelles de Béryllium doivent être récupérées avec soin au moyen d'un ruban adhésif puis être placées dans un sac plastique hermétiquement clos renvoyé en même temps que l'enceinte au revendeur.

Pour plus d'informations, veuillez nous contacter directement à l'adresse suivante : beryllium@focal.com

SOLO6 BE - TWIN6 BE - SUB6 BE : INTRODUCTION

Système de Monitoring Analog Professionnel - Manuel d'utilisation

15

Les enceintes Solo6 Be et Twin6 Be, ainsi que le caisson de grave Sub6 constituent un système d'écoute de contrôle professionnel de hautes performances et nous vous remercions d'avoir choisi Focal. Ces produits ont été conçus pour allier image sonore impeccable, extrême précision et réponse en fréquence étendue, dans un format compact adapté à des écoutes de proximité.

Déballage

Une enceinte Solo6 Be ou Twin6 Be est livrée accompagnée des éléments suivants (outre le présent manuel) :

- Un cordon d'alimentation.
- Une carte de garantie.
- Une grille protectrice pour le tweeter Beryllium (notre conseil est de l'enlever pour l'écoute dès qu'il le sera possible).
- Un sachet plastique contenant une notice ("Tweeter à dôme inversé en Béryllium), ainsi qu'une bande adhésive à apposer sur le tweeter en cas d'endommagement du dôme.

Un caisson de grave Sub6 est livré accompagné des éléments suivants (outre le présent manuel) :

- Un cordon d'alimentation.
- Une carte de garantie.
- Une grille protectrice pour le subwoofer à membrane "W" (notre conseil est de l'enlever pour l'écoute dès qu'il le sera possible).

Vérifiez qu'aucun de ces éléments ne manque, et enlevez tous les accessoires du carton.

Afin de ne pas endommager vos produits lors de leur déballage, veuillez respecter les étapes suivantes : ouvrez complètement les volets du carton. Repliez les côtés. Ôtez la protection supérieure. Soulevez l'enceinte ou le caisson précautionneusement. Vérifiez que l'emballage ne présente aucun signe de détérioration. Si toutefois il était endommagé, prévenez le transporteur et le fournisseur. Il est important que l'emballage soit gardé en bon état pour d'éventuelles utilisations futures.

Recommandations

Nous tenons à souligner qu'une pression sonore élevée peut être générée par vos produits, particulièrement en configuration 5.1. Le niveau de distorsion étant faible et le niveau de fatigue de l'utilisateur minime, il n'est pas toujours évident de réaliser la pression sonore réelle. N'oubliez pas que l'exposition à des niveaux sonores élevés, au-delà d'un certain temps, peut conduire à une perte irréversible de l'audition.

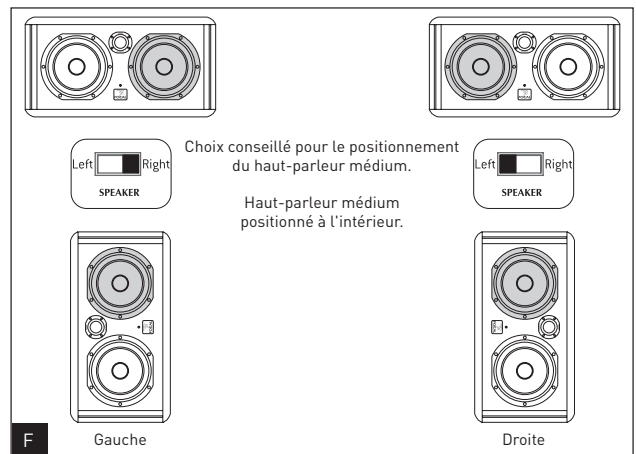
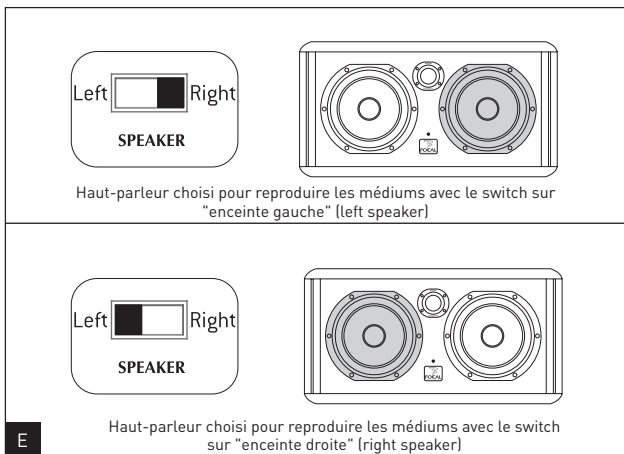
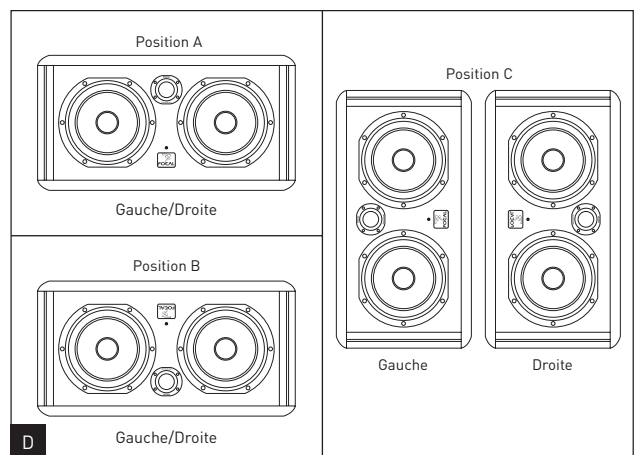
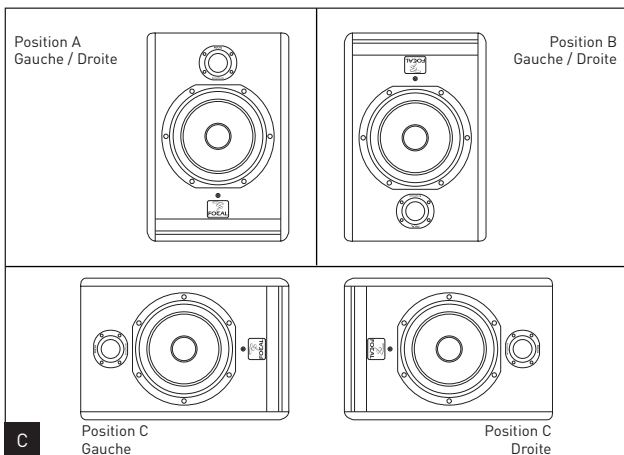
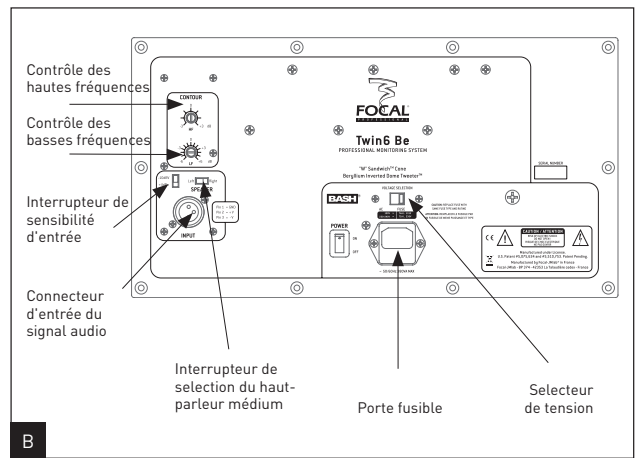
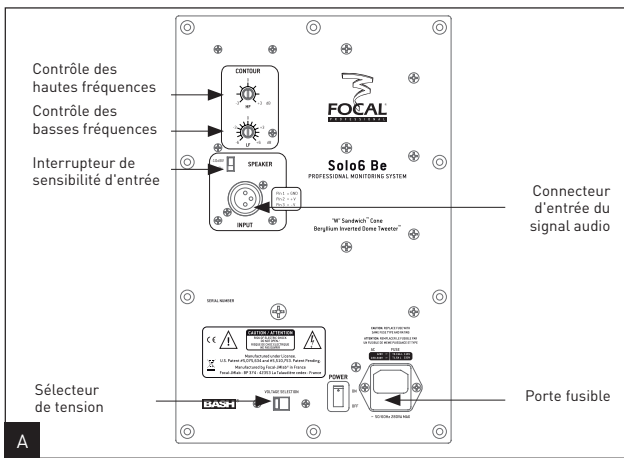
Garantie

Les Solo6 Be, Twin6 Be et Sub6 sont garantis pièces et main d'oeuvre pour une période de deux ans au sein des pays membres de l'Union Européenne à compter de la date de livraison au client final. Pour les états hors Union Européenne, merci de vous référer à la loi en vigueur dans chaque pays.

Pendant la période de garantie, Focal réparera ou échangera le produit défectueux, sous réserve qu'il soit renvoyé, frais de transport payé par avance, à une antenne Focal agréée. Les dommages causés par des modifications du produit, accidents, négligence ou mauvaise utilisation ne sont pas couverts par la garantie. Pour plus d'informations veuillez contacter votre revendeur ou distributeur local.

SOLO6 BE - TWIN6 BE - SUB6

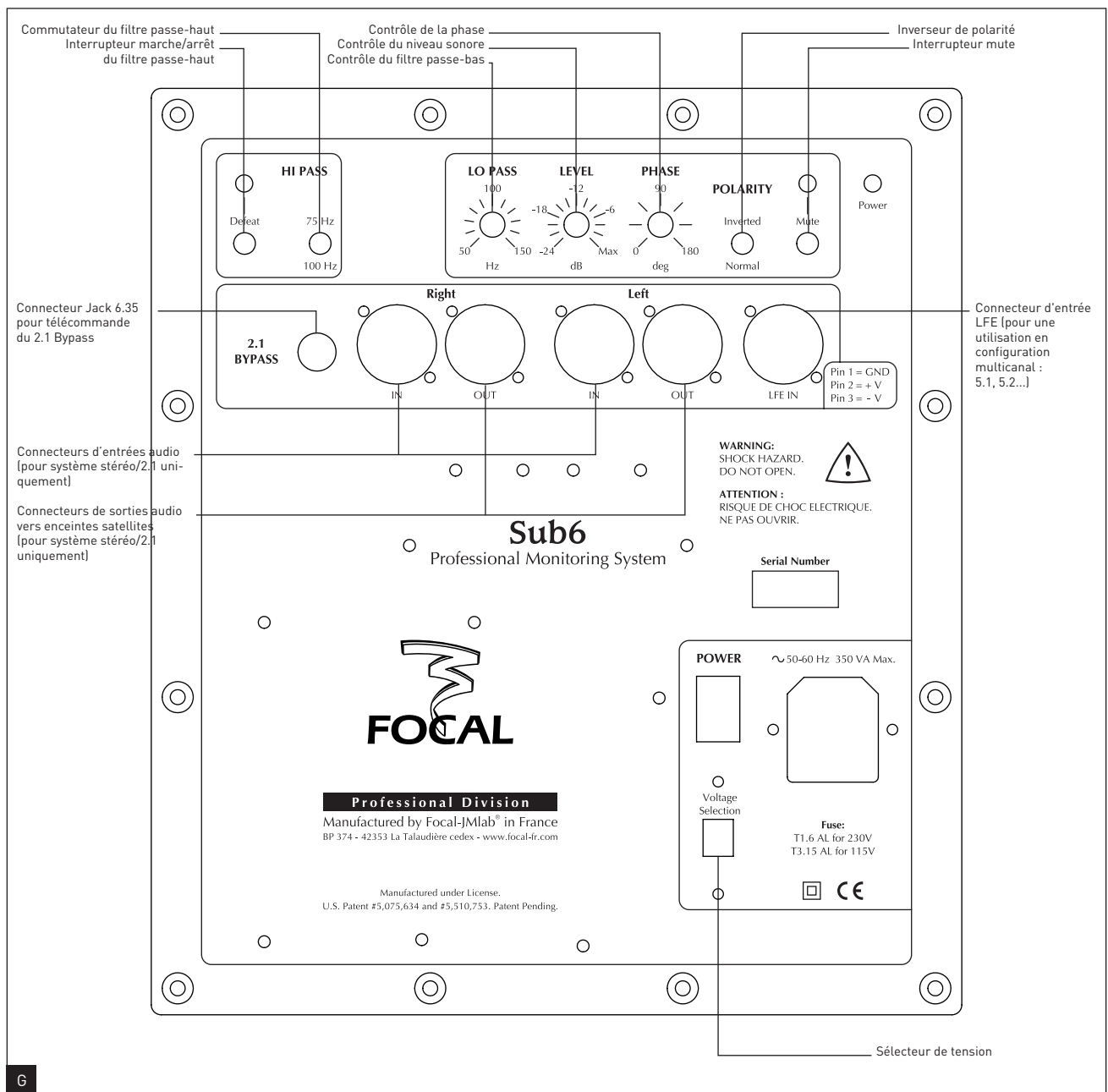
Système de Monitoring Analog Professionnel - Manuel d'utilisation



SOLO6 BE - TWIN6 BE - SUB6 BE

Système de Monitoring Analog Professionnel - Manuel d'utilisation

17



SOLO6 BE - TWIN6 BE - SUB6 BE : LES PRODUITS

Système de Monitoring Analog Professionnel - Manuel d'utilisation

18

Solo6 Be

La Solo6 Be est une enceinte professionnelle de contrôle de proximité 2 voies active (2 amplificateurs internes), constituée d'un haut-parleur grave/médium Focal de 6,5 pouces (16,5 cm) à membrane sandwich composite "W", chargé par un événement laminaire de grande section et d'un tweeter Focal à dôme inversé en Béryllium pur (*fig. A*).

Twin6 Be

La Twin6 Be est une enceinte professionnelle de contrôle de proximité ou semi-proximité 3 voies active (3 amplificateurs internes), constituée de deux haut-parleurs Focal de 6,5 pouces (16,5 cm) à membrane sandwich composite "W" chargés par un double événement laminaire de grande section et d'un tweeter Focal à dôme inversé en Béryllium pur. Les deux haut-parleurs de 6,5 pouces reproduisent le grave mais seul l'un d'entre eux (dont on peut choisir le positionnement) reproduit les fréquences "médium" (*fig. B*).

Sub6

Le Sub6 est un caisson de grave actif (1 amplificateur interne) pour système de contrôle professionnel. Le transducteur utilisé est un subwoofer 27 cm Focal à membrane sandwich composite "W" chargé par un événement laminaire de grande section (*fig. G*).

Le Sub6 peut être utilisé :

- en complément de grave ou d'infra-grave pour des installations stéréo + subwoofer (2.1 ou 2.2), A cet effet la connectique du panneau arrière du Sub 6 permet le branchement d'une source stéréo traditionnelle (Left In et Right In), mais aussi la récupération d'un signal (Left Out et Right Out) traité via le filtre "passe-haut" inclus dans le Sub 6, destiné à alimenter des enceintes associées dites "satellites".
- en canal LFE (Low Frequency Effect) pour une utilisation en système multicanal (5.1, 5.2, 6.1 ...) via une entrée spécifique LFE située sur le panneau arrière du Sub6.

Installation

Alimentation secteur

Après avoir déballé vos produits, vérifiez en premier lieu que la tension d'utilisation sélectionnée est correcte, en fonction de la tension d'alimentation choisie grâce au sélecteur, vérifiez (et si besoin remplacez) également le fusible, dont l'ampérage est dépendant de la tension de service (voir caractéristiques du fusible dans le tableau des spécifications).

Vos produits doivent être impérativement reliés à la terre en utilisant le cordon d'alimentation fourni à cet effet.

Connexions d'entrées audio

L'entrée du signal audio s'effectue par l'intermédiaire d'une prise XLR femelle. Cette embase permet la connexion d'une source de signal symétrique et utilise un schéma de câblage standard :

- Pin 1 = masse (blindage)
- Pin 2 = point chaud (signal en phase)
- Pin 3 = point froid (signal hors phase)

Lorsque la source du signal d'entrée est asymétrique il est usuel de relier le "point froid" (Pin 3) à la masse (Pin 1). Cette connexion est généralement réalisée au niveau des câbles.

Connexions spécifiques au Sub 6 (*fig. G*)

Utilisation du Sub6 en configuration stéréo + subwoofer (2.1 ou 2.2)

Left IN : cette entrée est dédiée à recevoir la sortie gauche de votre source (console de mixage, ou autre ...).

Right IN : cette entrée est dédiée à recevoir la sortie droite de votre source (console de mixage, ou autre ...).

Left OUT : cette sortie est dévolue à l'alimentation de l'enceinte gauche de votre système 2.1. Le signal ainsi récupéré aura auparavant été filtré par le filtre passe-haut de votre Sub6.

Right OUT : cette sortie est dévolue à l'alimentation de l'enceinte droite de votre système 2.1. Le signal ainsi récupéré aura auparavant été filtré par le filtre passe-haut de votre Sub6.

Utilisation du Sub6

LFE : cette entrée est dédiée à l'alimentation de votre Sub6 pour une application multicanal (5.1, 5.2, 6.1, 6.2, 7.1, 7.2 ...). L'entrée LFE est uniquement consacrée aux basses fréquences.

SOLO6 BE - TWIN6 BE - SUB6 BE : LES PRODUITS

Positionnement

Les Solo6 Be et Twin6 Be ont été conçues pour être des enceintes de contrôle de proximité et donc être positionnées à une distance de l'ordre de 1 à 3 mètres de l'auditeur, orientées vers lui. Elles peuvent parfaitement être posées sur le dessus d'une console de mixage ou encore être mises sur des pieds adaptés ; sachant que dans tous les cas de figure il est vivement recommandé que la hauteur du tweeter par rapport au sol soit assez proche de celle des oreilles de l'auditeur. En cas de besoin on peut parfaitement imaginer inverser la disposition normale des enceintes et positionner le tweeter en bas de façon à se rapprocher de cette règle (*fig. C, D*).

Les Solo6 Be pourront être positionnées indifféremment verticalement ou horizontalement (*fig. C*) en fonction de l'environnement, de préférence orientées vers l'auditeur.

De par leur conception, les Twin6 Be sont plutôt prédisposées à une écoute horizontale bien qu'on puisse également dans certains cas particuliers les disposer verticalement. Comme vu dans la présentation du panneau arrière, la Twin6 possède un "interrupteur" permettant de choisir l'emplacement du haut-parleur prévu pour reproduire les fréquences médium (Voir Utilisation – Contrôles – Interrupteur Speaker Left/Right) – (*fig. E*). En conséquence, on choisira donc toujours une configuration "symétrique" ou "miroir" par rapport à l'auditeur. En règle générale on choisira de positionner le haut-parleur "medium" à l'intérieur pour une meilleure image (*fig. F*). Dans tous les cas la qualité de l'écoute primera.

Le positionnement optimal du Sub6 varie en fonction de la surface, de la forme et de l'acoustique de la pièce d'écoute. Nous vous conseillons donc d'essayer plusieurs emplacements possibles afin de sélectionner celui offrant la meilleure qualité d'écoute. Il n'est pas rare d'obtenir un résultat optimal en plaçant le Sub6 dans un angle.

SOLO6 BE - TWIN6 BE - SUB6 BE : UTILISATION

Système de Monitoring Analog Professionnel - Manuel d'utilisation

20

Rodage

Les transducteurs utilisés dans les Solo6 Be, Twin6 Be et Sub6 sont des éléments mécaniques complexes qui exigent une période de rodage pour fonctionner au mieux de leurs possibilités et s'adapter ainsi aux conditions de température et d'humidité de votre environnement. Cette période varie selon les conditions rencontrées et peut se prolonger sur quelques semaines. Afin d'accélérer le processus, nous vous conseillons de faire fonctionner les différents produits une vingtaine d'heures à niveau moyen, sur des programmes musicaux riches en basses fréquences. Une fois les caractéristiques des transducteurs stabilisées, vous pourrez profiter pleinement des performances de vos produits Focal.

Contrôles

Contrôles spécifiques à la Solo6 Be et à la Twin6 Be

Interrupteur Speaker (Left / Right) – Uniquement sur Twin6 Be

Cet interrupteur donne la possibilité à l'utilisateur de choisir lequel des 2 haut-parleurs de 6,5 pouces reproduira le medium. Par convention le fait de choisir la position Speaker "Right/Droit" aura pour effet de sélectionner le haut-parleur de gauche (lorsqu'on fait face à l'enceinte) comme celui destiné à reproduire le medium. Inversément le haut-parleur droit (lorsqu'on fait face à l'enceinte) sera celui choisi lorsqu'on mettra le sélecteur sur Speaker "Left / Gauche". On comprend aisément l'intérêt d'un tel contrôle pour obtenir la meilleure image possible grâce à la symétrisation des deux enceintes et ceci quelle que soit la disposition envisagée (fig. E, F).

Interrupteur de sensibilité d'entrée (Input)

La sensibilité d'entrée peut être ajustée en utilisant cet interrupteur à deux positions. La position + 4 dBu convient à un équipement audio professionnel standard, alors que la position -10 dBV peut être utilisée pour les autres types de sources fournissant un niveau moins élevé.

Contour "HF"

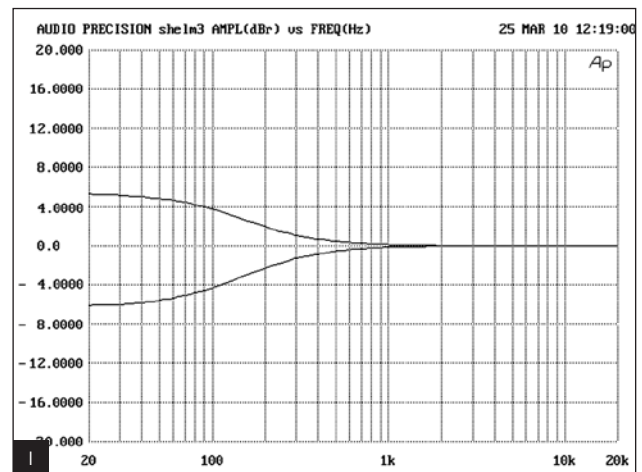
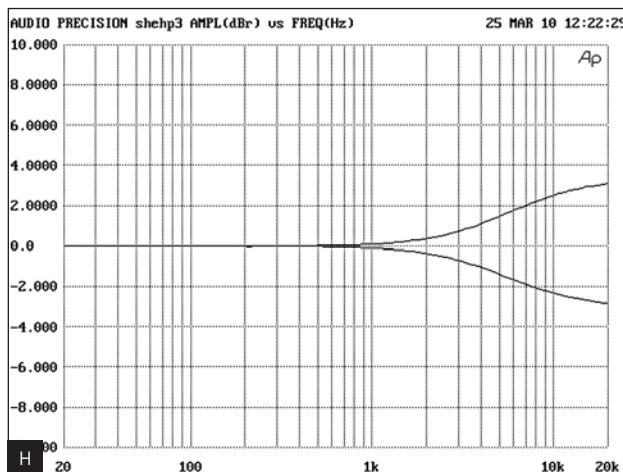
Ce contrôle permet d'ajuster le niveau des fréquences hautes au delà de 5 kHz à ± 3 dB (fig. H).

Contour "LF"

Ce contrôle permet d'ajuster le niveau des fréquences graves en deçà de 150 Hz à ± 6 dB (fig. I). Ce réglage sera très utile en fonction du positionnement des enceintes sur une console, près d'un mur, dans un coin, on aura tendance à diminuer plus ou moins ces fréquences.

Indicateur

Un témoin "marche/arrêt" sous forme de "LED" se situe sur la façade avant de l'enceinte à proximité du Logo "Focal".



SOLO6 BE - TWIN6 BE - SUB6 BE : UTILISATION

Contrôles spécifiques au Sub6 (fig. G)

Level

Le réglage de niveau du Sub6 permet de déterminer le volume sonore du caisson de grave en fonction de celui des enceintes d'écoute de contrôle. Ce réglage offre en outre la possibilité d'optimiser le choix de l'emplacement du caisson en tenant compte des conséquences acoustiques inhérentes au positionnement du Sub6 (dans un angle : + 6 dB, donc nécessité d'atténuer le niveau pour une parfaite linéarité de la courbe de réponse en fréquence de l'ensemble du système).

Mute

Le commutateur Mute permet d'activer ou non le Sub6 sans avoir à recourir à l'extinction de la partie électronique. Le filtre passe-haut des enceintes d'écoute de contrôle reste quant à lui actif.

Hi pass

Cette zone est dédiée au contrôle du filtre "passe-haut" des enceintes associées au Sub6 lors d'une utilisation 2.1. Le commutateur "Defeat" permet d'activer ou non le filtre passe-haut. Le commutateur 75 Hz / 100 Hz permet de sélectionner une fréquence de coupure, de façon à optimiser le couplage de ces dernières avec le caisson de grave Sub6.

Lo pass

Ce potentiomètre rotatif permet de régler la fréquence de coupure "passe-bas" du caisson de grave afin de déterminer la fréquence la plus haute que le Sub6 aura à retranscrire. Ce réglage a pour but d'optimiser la fréquence de coupure du Sub6. Le but étant bien entendu d'obtenir une courbe de réponse en fréquence de l'ensemble du système (subwoofer + enceintes) la plus linéaire possible.

Polarity

Ce commutateur de polarité inverse la phase du Sub6 de 180°.

Phase

Ce potentiomètre de "réglage fin" de la phase, associé au commutateur de polarité (vu ci-dessus) permettra d'éventuellement compenser le positionnement du Sub6 par rapport à celui des autres enceintes. En fonction de l'éloignement du caisson de grave, de sa position centrale ou non, ce réglage permettra de recevoir de façon synchrone les informations sonores émanant du Sub6 et des enceintes qui lui sont associées.

2.1 Bypass

Cette entrée permet le branchement d'une pédale de contrôle à 2 positions (non fournie) qu'on reliera à l'aide d'un jack 6,35.

L'activation du BYPASS provoquera:

- l'activation du "mute" du subwoofer
- la désactivation du filtre passe-haut dédié aux enceintes "satellites" associées. Les enceintes fonctionneront alors sur l'ensemble de leur bande passante.

Cette manipulation autorisera la comparaison instantanée par commutation rapide, entre un système dit "2.1" (Sub6, associé à 2 enceintes) et un système stéréo traditionnel. Cette possibilité sera particulièrement intéressante lors de l'optimisation du réglage du filtrage (phase, fréquence de coupure, volume) entre le Sub6 et les enceintes qui lui seront associées.

Indicateur "Power"

Témoin "marche / arrêt sous forme "LED".

SOLO6 BE : SPÉCIFICATIONS

Système de Monitoring Analog Professionnel - Manuel d'utilisation

22

PERFORMANCES

Réponse en fréquence	40Hz - 40kHz
Niveau SPL max	113 dB SPL (crête à 1m)

SECTION ELECTRONIQUE

Entrée	Type/Impedance Connecteur Sensibilité	Symétrie électronique / 10 kOhms XLR Ajustable, +4 dBu ou -10 dBV
Etage d'amplification grave Etage d'amplification aigü		150 W rms, technologie BASH® 100 W rms, classe AB
Alimentation électrique	Tension secteur	230 V (fusible 1,6 A) 115 V (fusible 3,15 A) Cordon secteur CEI amovible
Contrôles utilisateurs		Commutateur de niveau d'entrée Niveaux de grave et d'aigü (potentiomètres) Commutateur marche/arrêt, sélecteur de tension
Indicateur		DEL mise sous tension

TRANSDUCTEURS

Grave	Haut-parleur Focal 16,5 cm 6W4370B à cône "W"
Aigü	Tweeter Focal TB871 à dôme inversé en Béryllium pur
Blindage magnétique	Intégré, par utilisation de ferrite de blindage ou construction magnétique

ENCEINTE

Construction	Panneaux 19 mm MDF avec renforts internes
Finition	Placage naturel rouge foncé sur les joues
Dimensions (HxLxP)	330 mm x 240 mm x 290 mm
Poids	11 kg

Toutes les caractéristiques sont susceptibles d'être modifiées

TWIN6 BE : SPÉCIFICATIONS

Système de Monitoring Analog Professionnel - Manuel d'utilisation

23

PERFORMANCES

Réponse en fréquence	40Hz - 40kHz
Niveau SPL max	115 dB SPL (crête à 1m)

SECTION ELECTRONIQUE

Entrée	Type/Impedance Connecteur Sensibilité	Symétrie électronique / 10 kOhms XLR Ajustable, +4 dBu ou -10 dBV
Etage d'amplification grave Etage d'amplification grave/ médium Etage d'amplification aigü		150 W rms, technologie BASH® 150 W rms, technologie BASH® 100 W rms, classe AB
Alimentation électrique	Tension secteur	230 V (fusible 2 A) 115 V (fusible 4 A) Cordon secteur CEI amovible
Contrôles utilisateurs		Commutateur de niveau d'entrée Commutateur enceinte gauche/droite Niveaux de grave et d'aigü (potentiomètres) Commutateur marche/arrêt, sélecteur de tension
Indicateur		DEL mise sous tension

TRANSDUCTEURS

Grave et grave/médium	2 haut-parleurs Focal 16,5 cm 6W4370B à cône "W"
Aigü	Tweeter Focal TB871 à dôme inversé en Béryllium pur
Blindage magnétique	Intégré, par utilisation de ferrite de blindage ou construction magnétique

ENCEINTE

Construction	Panneaux 19 mm MDF avec renforts internes
Finition	Placage naturel rouge foncé sur les joues
Dimensions (HxLxP)	250 mm x 500 mm x 340 mm
Poids	14 kg

Toutes les caractéristiques sont susceptibles d'être modifiées

SUB6 BE : SPÉCIFICATIONS

Système de Monitoring Analog Professionnel - Manuel d'utilisation

24

PERFORMANCES

Réponse en fréquence	30 Hz - 250 Hz
Niveau SPL maximum	116 dB SPL (pic à 1m)

SECTION ÉLECTRONIQUE

Entrées	Type/impédance	Gauche, Droite, LFE
	Connecteurs	Symétrique électronique/10 kOhms
	Sensibilité	XLR femelle 3 points Variable
Sorties (vers satellites)	Type/Impedance	Sommation mono Gauche + Droite
	Connecteur	Symétrique électronique/50 Ohms XLR mâle 3 points
Amplification	350 W rms, technologie BASH®	
Traitement interne du signal et fonctions	Section subwoofer	Sommation mono Gauche + Droite Sommation mono passe-bas + LFE Filtre passe-bas réglable, 24 dB/octave Ajustement de la phase Polarité Filtre passe-haut débrayable et réglable, 24 dB/octave
Contrôles utilisateur	Réglage du niveau (sensibilité) du subwoofer	
	Réglage de la fréquence de coupure du filtre passe-bas	
	Ajustement de la phase	
	Inverseur de polarité	
	Mute	
	Bypass 2.1 (contrôlé par une pédale externe)	
	Sélection de la fréquence de coupure du filtre passe-haut	
Désactivation du filtre passe-haut		
Témoins lumineux (LED)	Marche	
	Mute	
	Filtre passe-haut débrayé	
Alimentation électrique	Tension secteur	230 V (fusible 1,6 A) ou 115 V (fusible 3,15 A)
	Connexion	Cordon secteur CEI amovible

TRANSDUCTEUR

Subwoofer	Focal 27 cm à longue excursion, membrane sandwich composite "W", réf. : 11W7670
-----------	---

ÉBÉNISTERIE

Construction	Panneau MDF 22 mm avec renforts internes
Finition	Panneaux latéraux en bois massif teinté rouge Placage plateaux noir
Dimensions (H x L x P)	380 mm x 344 mm x 440 mm
Poids	23 kg

Toutes les caractéristiques sont susceptibles d'être modifiées

Garantie France

Il est maintenant possible d'enregistrer son produit en ligne : www.focal.com/garantie

Pour validation de la garantie Focal, merci de nous retourner cette page dans les 10 jours, à l'adresse suivante :

Focal-JMlab - BP 374 - 108, rue de l'Avenir - 42353 La Talaudière cedex - FRANCE

Modèle : _____ N° de série : _____

Nom du revendeur ou distributeur : _____

Nom de la société ou du propriétaire : _____

Nom du responsable technique : _____

Votre adresse complète : _____

Prix d'achat : _____

Activité :

- Studio audio Mastering
 Post production Broadcast
 Autre (merci de préciser) : _____

Détails de l'installation :

Système d'exploitation : Mac PC

Utilisé comme : nearfield midfield

Utilisé pour : stéréo multicanal

Marque de la console : _____

Logiciel "direct to disk" : _____

En cas de renouvellement, quelles étaient vos précédentes enceintes acoustiques ? _____

Dîtes en quelques mots pourquoi vous avez choisi Focal... _____

Vos annotations éventuelles : _____

International guarantee

Now it's possible to register on line : www.focal.com/warranty

In order to validate the Focal guarantee, please return this page
within 10 days to the following address:

Focal-JMlab - BP 374 - 108, rue de l'Avenir - 42353 La Talaudière cedex - FRANCE

Model: _____, Serial number: _____

Retailer or distributor name: _____

Company or owner name: _____

Technical manager: _____

Your complete address: _____

Retail price: _____

Occupation:

- Audio studio Mastering
 Post production Broadcast
 Other (please specify): _____

Installation details:

Exploitation details: Mac PC

Used as: nearfield midfield

Used for: stereo multichannel

Mixing desk brand : _____

"Direct to disk" software: _____

In case of replacement, what were your previous acoustic speakers? _____

Explain in a few words why you chose Focal... _____

Your comments: _____



CE