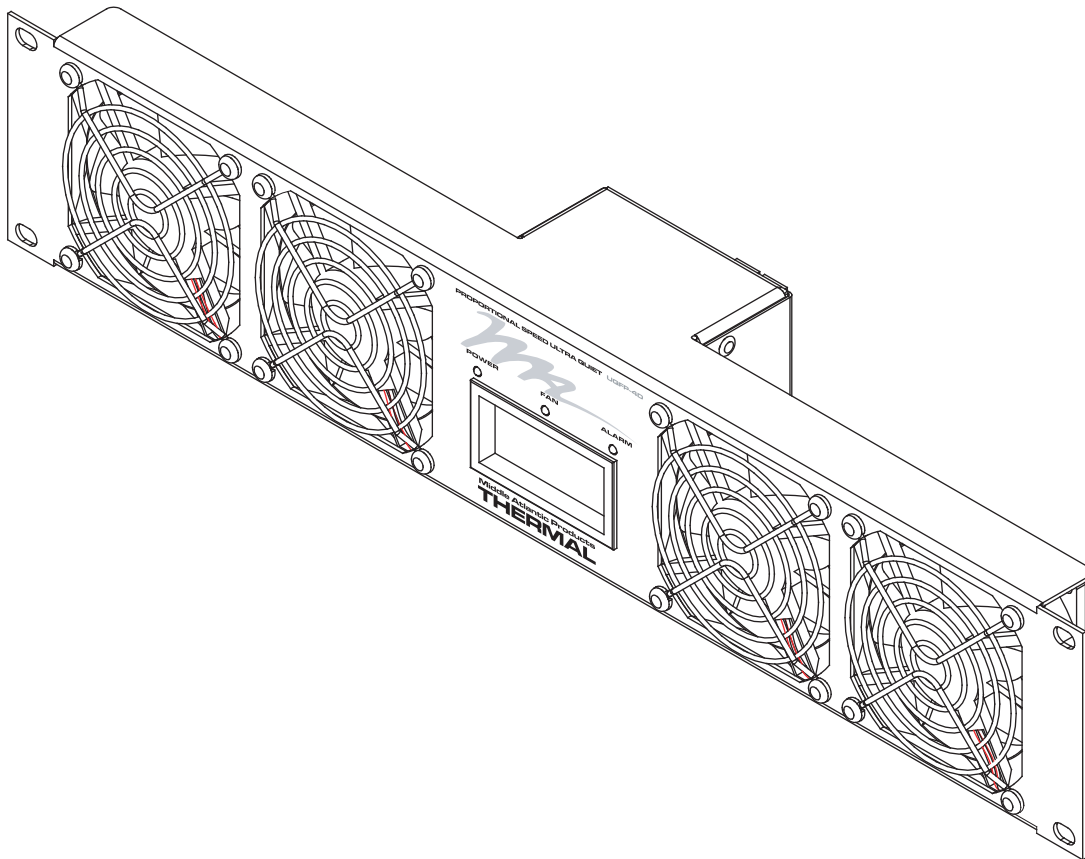


INSTRUCTION SHEET
UQFP SERIES
ULTRA QUIET FAN PANELS

CE
(220V Models)



THANK YOU

Thank you for purchasing the UQFP Series Ultra Quiet Fan Panel. Please read these instructions thoroughly before installing this product.

PRODUCT FEATURES

- Reliable cooling with minimal noise
- Local and remote status notification
- On-board processor controls fan speed proportional to enclosure temperature

SPECIFICATIONS

UQFP-2 & UQFP-2D/IUQFP-2 & IUQFP-2D

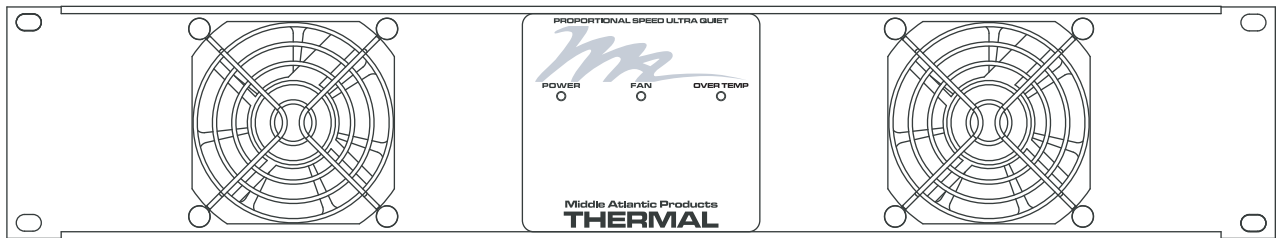
Current Draw: 270 mA @ 5V DC (UQFP-2/IUQFP-2)
310 mA @ 5V DC (UQFP-2D/IUQFP-2D)

Airflow: 50 CFM @ Full Speed
RPM: 1900 @ Full Speed
Noise: 24 dB @ Full Speed

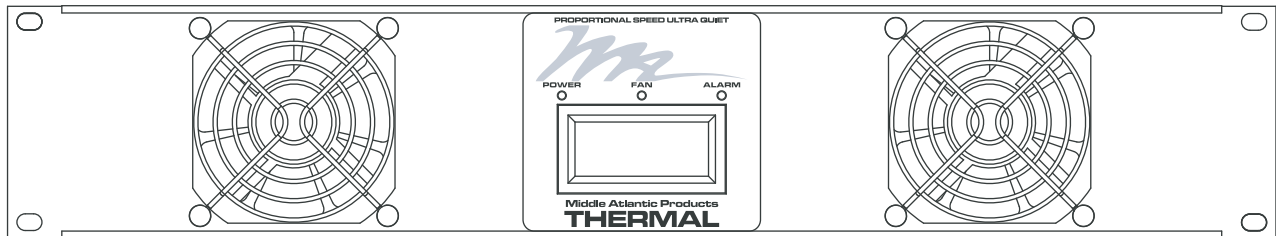
UQFP-4 & UQFP-4D/IUQFP-4 & IUQFP-4D

Current Draw: 510 mA @ 5V DC (UQFP-4/IUQFP-4)
560 mA @ 5V DC (UQFP-4D/IUQFP-4D)

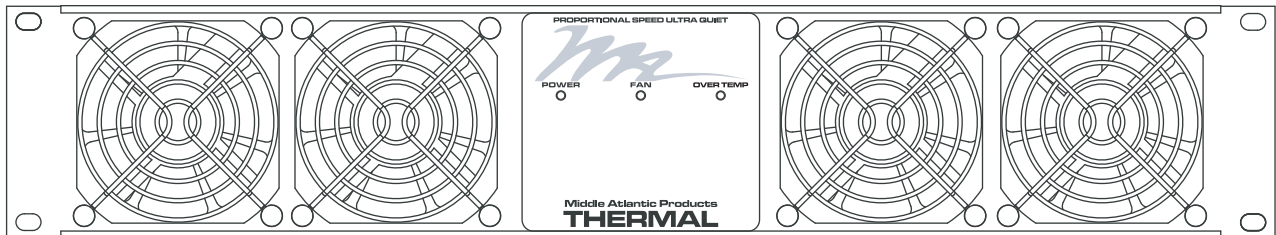
Airflow: 100 CFM @ Full Speed
RPM: 1900 @ Full Speed
Noise: 27 dB @ Full Speed



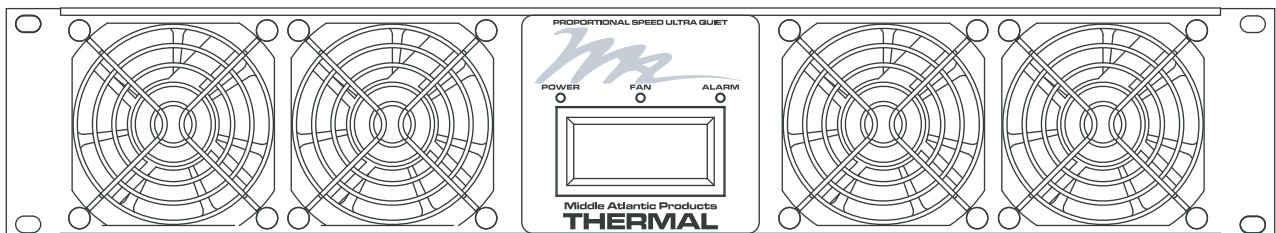
UQFP-2/IUQFP-2



UQFP-2D/IUQFP-2D



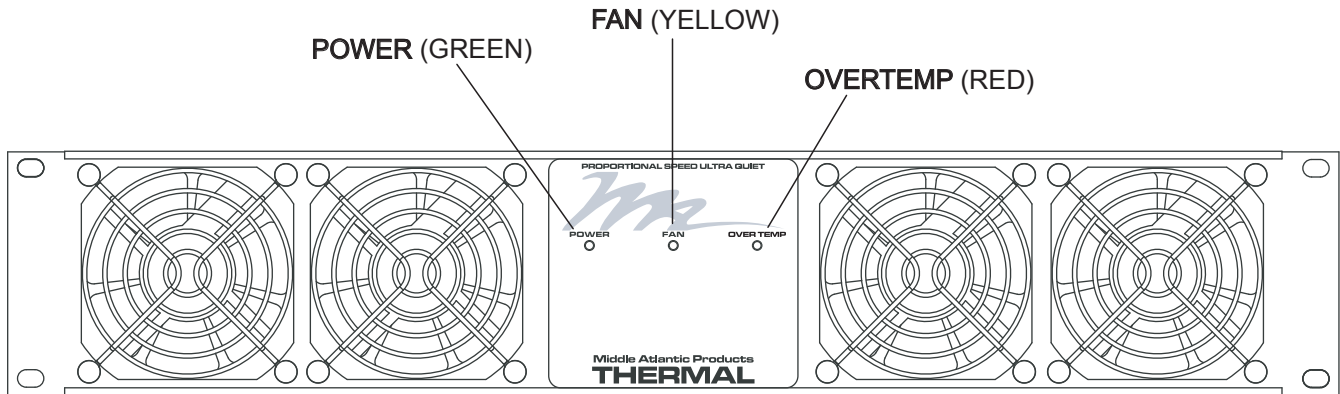
UQFP-4/IUQFP-4



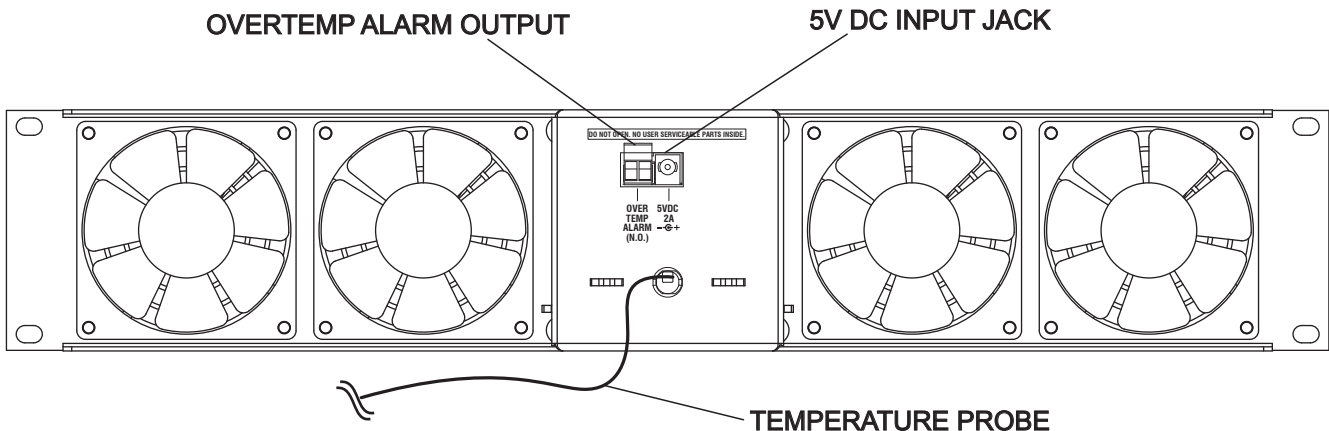
UQFP-4D/IUQFP-4D

FUNCTIONS

Models UQFP-2 & UQFP-4/IUQFP-2 & IUQFP-4
(UQFP-4 Model Shown)



FRONT VIEW



REAR VIEW

POWER (GREEN): This LED indicates that the unit is receiving power.

FAN (YELLOW): When rack temperature reaches 81°F (27°C) this LED will begin to flash indicating that the fans have turned on. It will continue flashing proportional to the fan speed, as long as the fans are on.

OVERTEMP (RED): If rack temperature reaches 100°F (37°C) this LED will light indicating an over temperature condition within the rack.

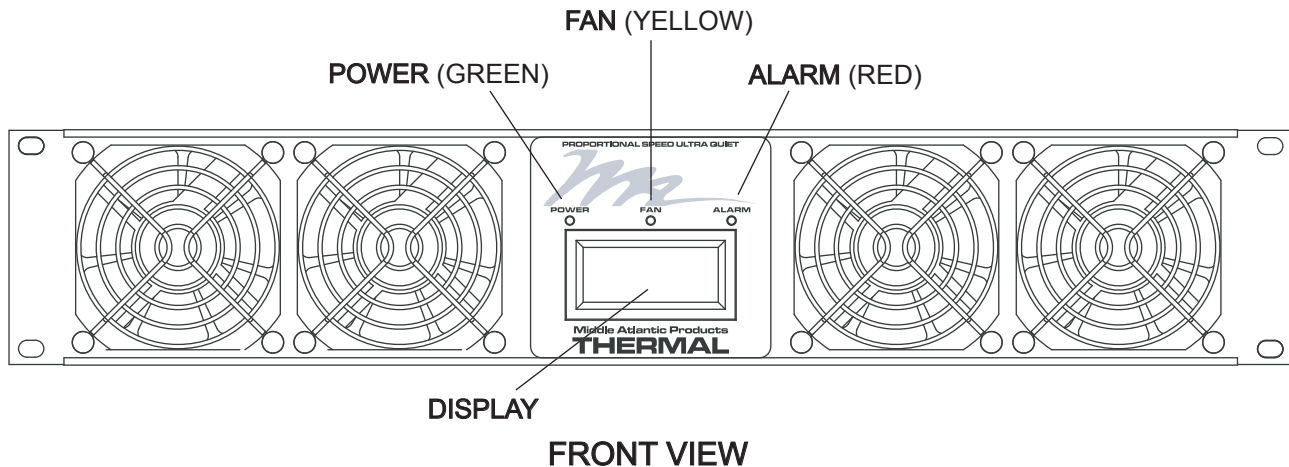
OVERTEMP ALARM OUTPUT: This normally open dry contact closure will provide an alarm to an external (remote) monitoring system if your enclosure reaches overtemp condition.

5V DC INPUT JACK: Power supply connector

TEMPERATURE PROBE: Remote temperature sensor. (9' long)

Models UQFP-2D & UQFP-4D/IUQFP-2D & IUQFP-4D

(UQFP-4D Model Shown)



POWER (GREEN): This indicates that the unit is receiving power.

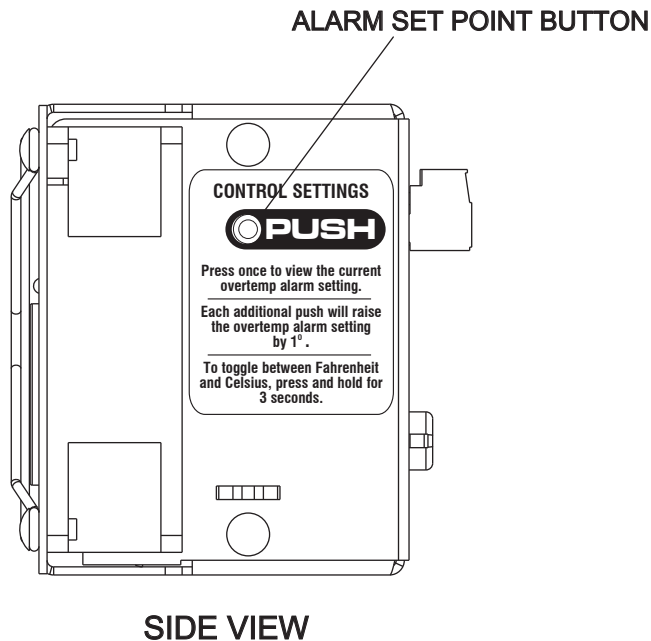
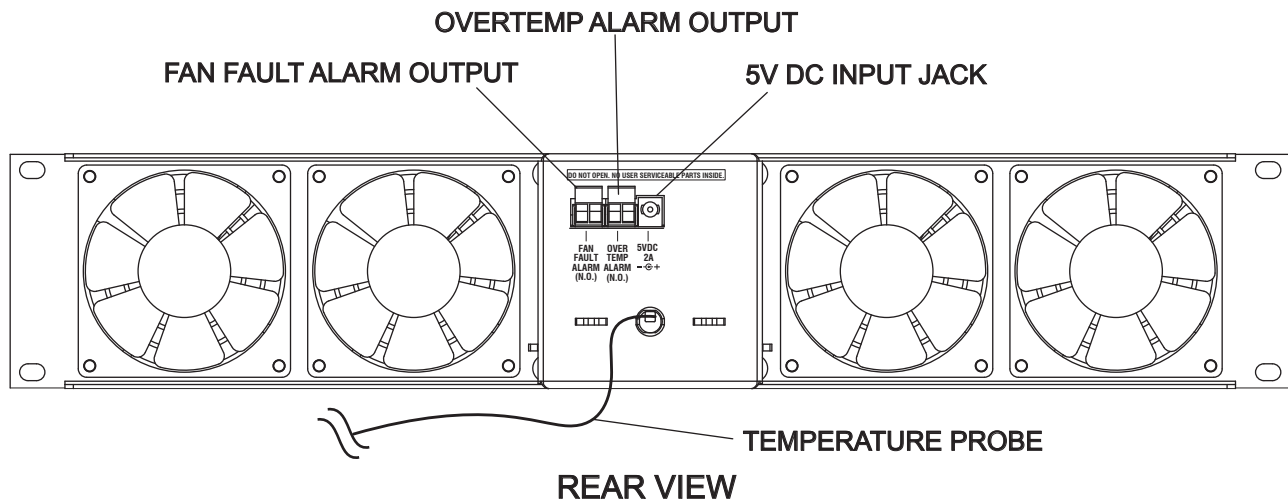
FAN (YELLOW): When rack temperature reaches 81°F (27°C), this LED will begin to flash indicating that the fans have turned on. It will continue flashing proportional to the fan speed, as long as the fans are on.

ALARM (RED): At the factory preset overtemp of 100°F (37°C), this LED will light indicating an over temperature condition within the rack. See **Alarm Set Point Button** instructions below to change the overtemp alarm setting.

DISPLAY: The display will indicate the rack temperature and provide a read-out of the following fault codes during one of these conditions:

OVERTEMP: The temperature of the enclosure has risen above the alarm set point. Inspect airflow intake and output for obstructions. Additional cooling capacity may be required.

FAN FAULT: One or more of the fans has stopped. Check all fans for obstruction. If problem persists, call Technical Support at (800) 266-7225.



ALARM SET POINT BUTTON:

- To change display from Fahrenheit to Celsius, press and hold Alarm Set Point Button for 3 seconds.
- To view alarm set point, simply press and release the Alarm Set Point Button once.
- To change the factory preset alarm set point, repeatedly press the Alarm Set Point Button until desired temperature is displayed. Factory preset overtemp alarm set point is 100°F (37°C). Adjustment range is from 95° to 115°F (35° to 46°C)

FAN FAULT / OVERTEMP ALARM OUTPUT:

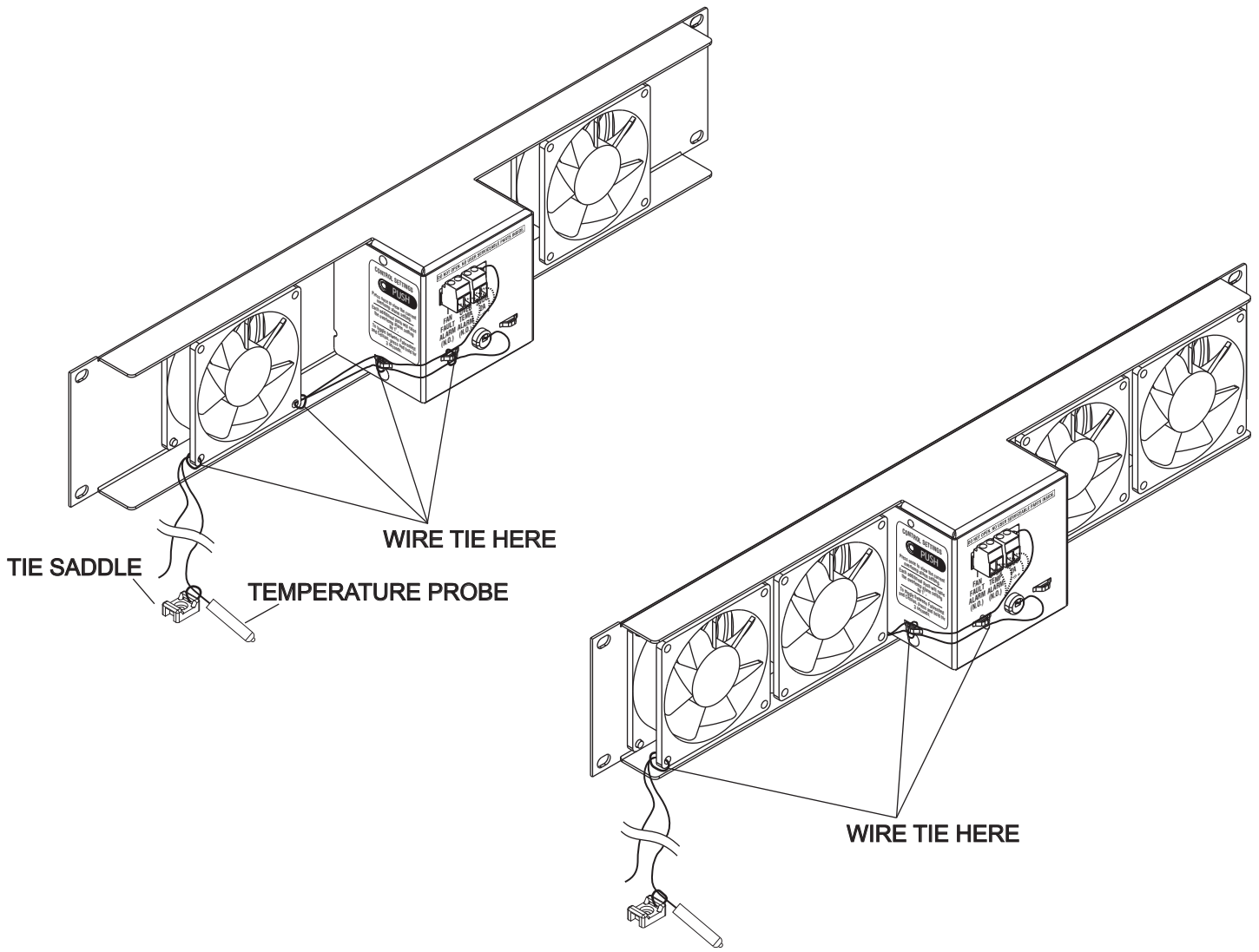
These normally open dry contact closures will provide an alarm to an external (remote) monitoring system if your enclosure experiences a fan fault or overtemp condition.

5V DC INPUT JACK: Power supply connector

TEMPERATURE PROBE: Remote temperature sensor (9' long).

INSTALLATION

UQFP-2D (left) & UQFP-4D (right) Shown.

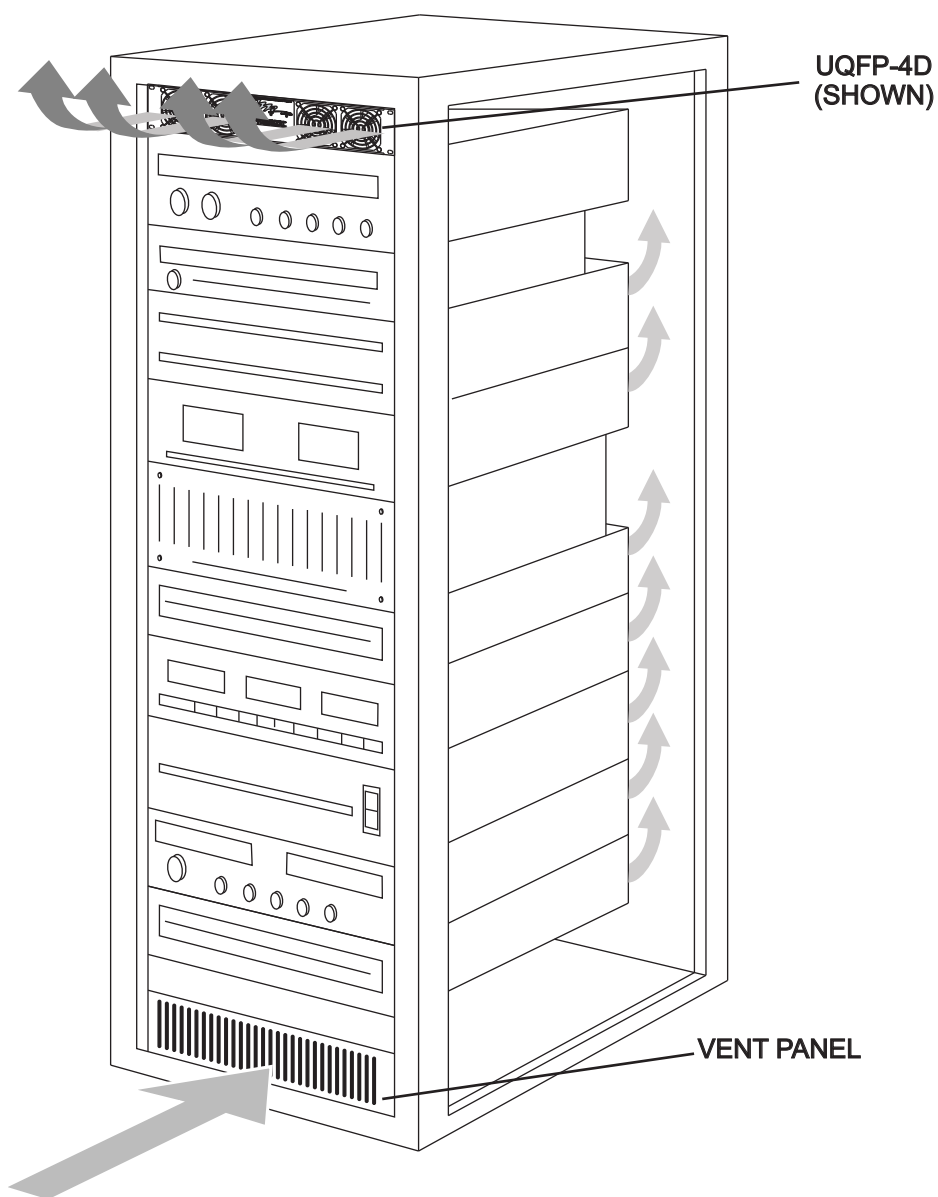


! **TECH TIP:** Ensure that you have access to the rear of the panel to make connections and configure settings once mounted. If access to rear of unit is limited, cable management and setting configurations must be done prior to mounting the panel.

- 1) Route Temperature Probe, Alarm Output, and Power Supply wires along the rear of the panel as shown above. Tie points are provided to route wires left or right. Do not allow wires to interfere with fan operation.
- 2) Using tie saddle included, mount the temperature probe wire into highest available area inside of rack. In order to achieve proper temperature sensing, the probe should be installed near the top of the rack. The probe is provided with a generous 9' lead.
- 3) **(220V models only)** Select appropriate wall plug for your region and attach to provided power supply. Connect power supply to power source.

THERMAL MANAGEMENT GUIDELINES

- Mount fan panel in highest available location of enclosure.
- Use vent blockers to cover any vent at the top of side panels.
- Do not place vent panels within six rackspaces below fan panel. Cover any of these spaces.
- If heat producing equipment is in the middle of the rack, use a 3 space vent panel at the bottom
- Use a 2 space vent panel if heat producing equipment is at the bottom of the enclosure.



WARRANTY

Middle Atlantic Products, Inc. (the "Company") warrants the UQFP Series Ultra Quiet Fan Panels to be free from defects in material or workmanship under normal use and conditions for a period of three (3) years from date of shipment by the Company.

The Company's entire liability to the purchaser, and the purchaser's (or any other parties) sole and exclusive remedy, under this warranty shall be limited, at the Company's option, to either (a) return of and refund of the price paid for, or (b) repair or replacement at the Company's factory of the products purchased, or any part or parts thereof, which the Company has determined to be defective after inspection thereof at the Company's factory.

This warranty does not cover damage due to acts of God, accident, misuse, abuse or negligence by parties other than the Company, or any modification or alteration of the products. In addition, this warranty does not cover damage due to improper handling, assembly, installation or maintenance.

THIS WARRANTY IS IN LIEU OF ALL OTHER WARRANTIES OF ANY KIND, EITHER EXPRESSED OR IMPLIED, INCLUDING, BUT NOT LIMITED TO, IMPLIED WARRANTIES OF MERCHANTABILITY AND FITNESS FOR A PARTICULAR PURPOSE.

TO THE MAXIMUM EXTENT PERMITTED BY APPLICABLE LAW, IN NO EVENT SHALL THE COMPANY BE LIABLE FOR ANY SPECIAL, INCIDENTAL, INDIRECT, OR CONSEQUENTIAL DAMAGES WHATSOEVER (INCLUDING, WITHOUT LIMITATION, DAMAGES FOR LOSS OF BUSINESS PROFITS, BUSINESS INTERRUPTION OR ANY OTHER PECUNIARY LOSS) ARISING OUT OF THE USE OF THE PRODUCTS PURCHASED, EVEN IF THE COMPANY HAS BEEN ADVISED OF THE POSSIBILITY OF SUCH DAMAGES. THE COMPANY'S LIABILITY TO THE PURCHASER (OR ANY OTHER PARTY) HEREUNDER, IF ANY, SHALL IN NO EVENT EXCEED THE PURCHASE PRICE OF THE PRODUCTS PAID TO THE COMPANY.

Corporate Headquarters

Corporate Voice 973-839-1011 - Fax 973-839-1976
International Voice +1 973-839-1011 - Fax +1 973-831-4982
middleatlantic.com - info@middleatlantic.com

Middle Atlantic Canada

113 Iber Road - Ottawa, ON - K2S 1E7
Voice 613-836-2501 - Fax 613-836-2690
middleatlantic.ca - customerservicecanada@middleatlantic.ca

Factory Distribution

USA: NJ - CA - IL Canada: ON - BC

At Middle Atlantic Products we are always listening. Your comments are welcome.

Middle Atlantic Products is an ISO 9001 and ISO 14001 Registered Company.



30% Recycled Paper

