

S-Mount

The S-Mount is a desktop or surface mounting kit for the HKB-2X Speaker Station that can be easily adjustable to several angles for better viewing.

#### DESCRIPTION

The S-Mount is a desktop or surface mounting kit for the HKB-2X with adjustable rake for best viewing. The rear plate has XLR-3M/F loop-thru and one RJ45 LAN connector for connecting to the intercom. Optional power methods include Powerline (XLR intercom connection), Power-over-Ethernet (RJ45 Ethernet intercom connection via third party power source), or Universal AC/DC power supply.

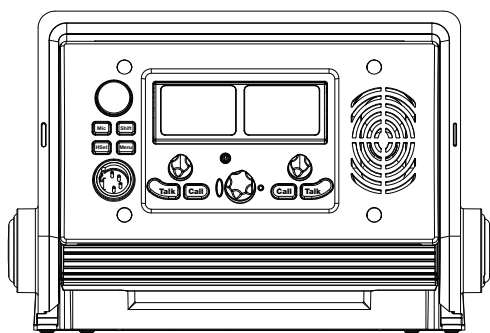
Raised sides protect the knobs of the HKB-2X speaker station from impact. Mounted speaker stations can be carried face-to-face if needed due to keyed lugs for easy stacking. Anti-slip feet help prevent movement when using the S-Mount on a desktop. For temporary setup, the screw holes provided on the S-Mount allow simple and quick surface mounting.

#### KEY FEATURES AND BENEFITS

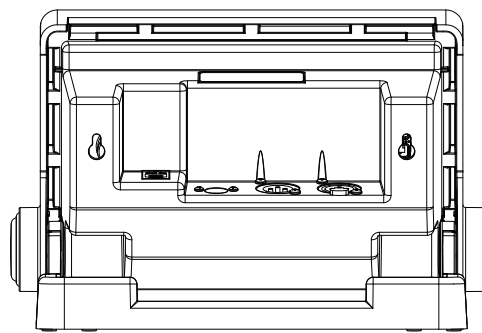
- For use with HelixNet HKB-2X Speaker Stations
- Connects to Main Station over mic or Ethernet cable
- Powered by Powerline, third party PoE power source or AC/DC adapter (universal)



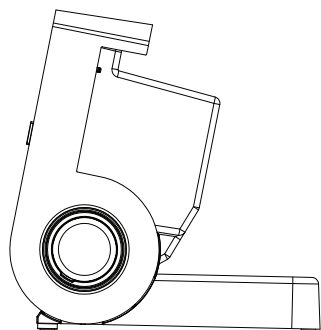
Speaker Station sold separately



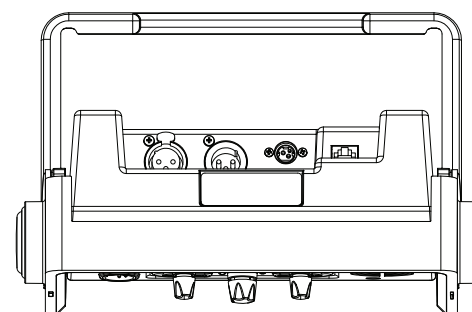
Front View



Rear View



Side View



Top View

## TECHNICAL SPECIFICATIONS

### Connectors

Intercom Line:	(1) 3-pin XLR-M (1) 3-pin XLR-F
DC Power:	3-pin to AC adapter (provided)
DC Power:	3-pin to AC adapter (provided)
Ethernet/PoE:	RJ-45
PSU:	3-pin

### Main Power

Via AC Adapter:	
AC Adapter Power Connector:	IEC60320-1-C14
Via Power over Ethernet (PoE):	
Connector:	RJ-45

### Environmental

Max temperature is 40°C (104°F)  
0 - 90% relative humidity

### Dimensions

Minimum (Closed):	10.4"W x 3.9"H x 6.7"D (265mm x 99mm x 170mm)
Maximum (Fully Open):	10.4"W x 6.9"H x 6.7"D (265mm x 175mm x 170mm)

### Weight

2.8lbs (1.2kg)

#### Notice About Specifications

While Clear-Com makes every attempt to maintain the accuracy of the information contained in its data sheets, that information is subject to change without notice. Performance specifications included in this data sheet are design-center specifications and are included for customer guidance and to facilitate system installation. Actual operating performance may vary.