



H A Harman International Company

D 440

Dynamic Instrument Microphone

Description

The AKG Model D 440 is a rugged dynamic cardioid microphone intended for all on-stage instrumental pickup requirements. Its cardioid pattern is uniform with frequency, and response has been boosted at mid and high frequencies for crisp instrumental pickup under typical stage conditions. The strong housing and shock absorbing outer grille provide protection for the transducer. A layer of inert textile provides a very effective guard against wind and pop noise. The microphone incorporates two important AKG developments: In the "Teifzieh" Varimotion System™ the diaphragm thickness varies from 20 microns at the edge to 40 microns at the center. The distribution of mass produces extended bass response, virtually eliminating the need for a tuning resonator. In addition, the Doubleflex™ mounting system used with the capsule assembly places the primary resonance of the moving system to well below the audible range, resulting in excellent isolation of handling and cable induced noises. The microphone has an integral stand adapter, and an accessory H 440 mount allows the microphone to fit directly on snares, tom toms and other similar percussion instruments. The light-weight body has a dark matte finish for minimum reflection and glare.

Specifications

Transducer type:	Dynamic pressure gradient
Frequency response:	60 - 20 kHz (20 - 20 kHz @ 2 cm)
Polar pattern:	Cardioid
Sensitivity:	2.5 mV/Pa; -52 dB (re 1 V/Pa)
Equivalent noise level (with typical electronics):	18 dB (A)
S/N ratio:	76 dB (A)
Sound pressure level for 1% (3%) THD:	147 dB SPL (156)
Impedance:	<600 ohms
Recommended load impedance:	>2000 ohms
Output connector:	XLR-M
Finish:	Matte black enamel
Size:	Maximum diameter: 1.81 in. (46 mm) 3.35 in. length (85 mm) 4.0 in. height (104 mm)
Net weight:	5.3 oz. (148 g)
Shipping weight:	15.6 oz. (438 g)
Accessories included:	H 440
Optional accessories:	ST 45, ST 305



Features

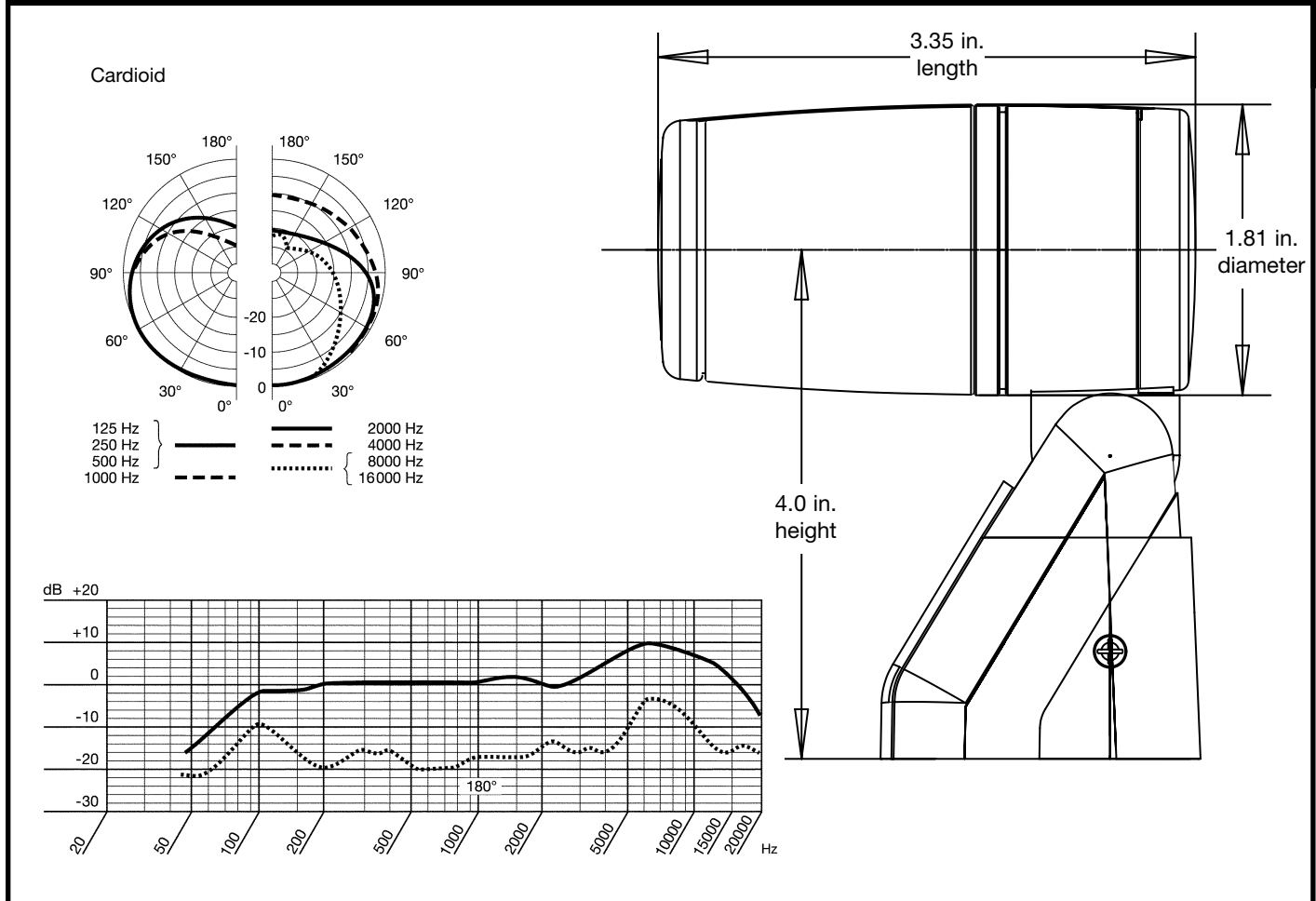
- **Response tailored for instrumental on-stage performance**
- **Frequency independent cardioid pattern for added immunity to feedback**
- **Very low susceptibility to pop and wind noise**
- **High sensitivity (2.5 mV/Pa) resulting from use of high-energy neodymium-iron-boron magnet**
- **Integral stand adapter**
- **Included H 440 adapter allows mounting directly on snare drums and tom toms**

Architects and Engineers Specifications

The microphone shall be a dynamic type with a cardioid pickup pattern. Sensitivity shall be no less than 2.5 mV/Pa, and the maximum operating level for 3% THD shall be no less than 156 dB SPL. The maximum diameter of the microphone shall be no greater than 1.81 in. (46 mm), and the microphone length shall be no

greater than 4.76 in. (121 mm). Microphone net weight shall be no greater than 7.2 oz. (203 grams). The microphone shall have an integral stand adapter permitting direct attachment to either 3/8" or 5/8" stand threads. The microphone shall be the AKG Acoustics Model D 440.

Graphical Data



AKG is constantly improving and modifying its products, therefore, specifications are subject to change without notice.

Limited Warranty

Valid only in the United States. AKG Acoustics warrants AKG products against defects in material or workmanship for a period of two years from the date of original purchase for use, and agrees to repair or, at our option, replace any defective unit without charge for either parts or labor. Important: This warranty does not cover damage resulting from accident, misuse or abuse, lack of reasonable care, the affixing of any attachment not provided with the product, loss of parts or connecting the product to any but the specified receptacles. This warranty is void unless service or repairs are performed by an authorized service center. No responsibility is assumed for any special, incidental

or consequential damages. However, the limitation of any right or remedy shall not be effective where such is prohibited or restricted by law. Simply take or ship your AKG product prepaid to our service department. Be sure to include your sales slip as proof of purchase date. (We will not repair transit damage under the no-charge terms of this warranty.) Note: No other warranty, written or oral is authorized by AKG Acoustics, Inc. This warranty gives you specific legal rights, and you may also have other rights which vary from state to state. Some states do not allow the exclusion or limitation of incidental or consequential damages or limitation on how long an implied warranty lasts, so the above exclusions and limitation may not apply to you.

Microphones · Headphones · Wireless Microphones · Wireless Headphones · Headsets · Electroacoustical Components

 <p>AKG A Harman International Company</p>	<p>AKG Acoustics GmbH Lemböckgasse 21-25, P.O.B. 158, A-1230 Vienna/AUSTRIA Tel: (43 1) 86 654-0*, Fax: (43 1) 86 654-516 Internet: http://www.ake.com</p> <p>AKG Acoustics; A Division of Harman Pro Germany Bodenseestraße 228, D-81243 München/GERMANY Tel: (089) 87 16-0, Fax: (089) 87 16-200</p> <p>Arbiter Pro Audio Wilberforce Road, London NW9 6AX/ENGLAND Tel: (0181) 202 1199, Fax: (0181) 202 7076</p>	<p>AKG ACOUSTICS, U.S. 914 Airpark Center Drive Nashville, TN 37217, U.S.A. Tel: (615) 620-3800, Fax: (615) 620-3875</p> <p>Studer Japan Ltd. 2-43-7, Uehara, Shibuya-ku, Tokyo 151-0064/JAPAN Tel: (813) 3465-2211, Fax: (813) 3465-2214</p> <p>Erikson Pro Audio 620 McCaffrey, St-Laurent, Quebec, H4T 1N1, CANADA Tel: (514) 738-3000, Fax: (514) 737-5069 Internet: www.jam-ind.com/eriksonpro</p>
--	---	--

Specifications subject to change without notice.

DS-D 440