

## SP850-V2X2

# Pull-out Pivot Wall Mount

## For 26"-65" Flat Panel Displays

The SP850-V2X2 Pull-out Pivot Mount combines the best features of a wall mount and a pivot arm. In the closed position, the SP850-V2X2 acts as a flat or tilting wall mount. At only 2.73" (69mm) from the wall, its unique wall plate and built-in cable management neatly hide all components and cords. Extended, the sturdy arm construction smoothly glides the display out 11.18" from the wall and allows the flat panel display to pivot up to 45°. This feature not only enables the display to be positioned for an optimal viewing angle, but it also provides easy access to the back of the display for hassle-free maintenance. The SP850-V2X2 is also ideal in applications where the display needs to be recessed into the wall, custom framed or aligned into a multi-display wall.



### FEATURES

- Built in pivot up to 90° (45° in each direction) allows for adjustable viewing angles
- Easy pull-out pivot provides quick maintenance access
- Dedicated VESA® 200 x 200 mounting pattern
- 2.73" (69mm) deep when retracted, pivot arms extend up to 11.18" (284mm) when extended
- Clean profile design hides wiring and mount within the enclosed wall plate
- IncreLok™ tilt provides tilt at 0°, 5° and 10°
- ±1° of roll for horizontal display leveling during installation
- Lock Key™ installation tool secures arms for display installation
- Lock-out screw prevents unwanted extension
- Mounts to 16" wood studs, concrete and cinder block



Display size: 26"-65"

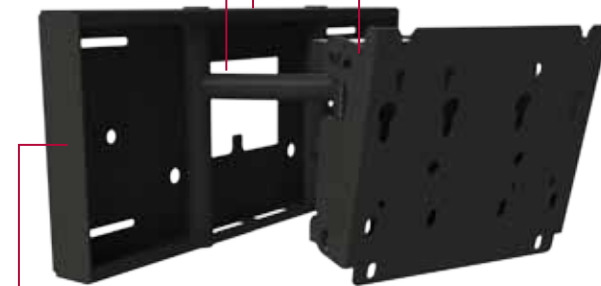


Max load: 150lb (68kg)

■ **PULL-OUT SERVICE ACCESS**  
Provides easy access to the back of the display for maintenance

■ **ENHANCED SECURITY**  
Prevent tampering or theft with unique LockKey™ installation brace and security screws on the adapter plate

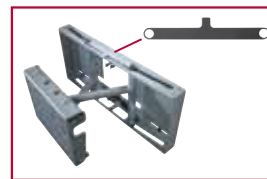
■ **OPTIMUM VIEWING ANGLE**  
Offers up to 90° of pivot for flexible display positioning, with 45° each way



■ **CLEAN PROFILE DESIGN**  
Hides cables within enclosed wall plate for a clutter-free installation



Dedicated Models (SP850 shown)



LockKey™ Installation tool secures pivot arms in place



Perfect for in-wall or recessed applications



RoHS  
2002/95/EC

MADE IN USA

CLICK: [peerless-av.com](http://peerless-av.com)

CALL: 800.865.2112

FAX: 800.359.6500

peerless-AV™

**SP850-V2X2** Pull-out Pivot Wall Mount for 32"-65" Flat Panel Displays (VESA® 200 x 200mm mounting pattern)

Product Specifications

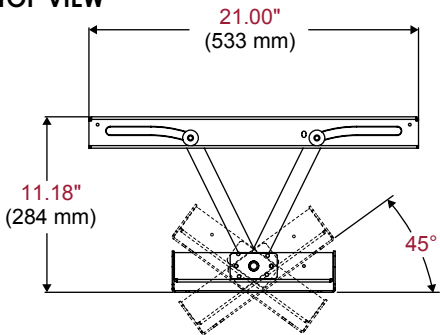
	DIMENSIONS (W x H x D)	PRODUCT WEIGHT	LOAD CAPACITY	FINISH	AVAILABLE COLORS
SP850-V2X2	21" x 9.19" x 2.73"-11.18" (533 x 233 x 69-284mm)	20lb (9kg)	150lb (68kg)	Powder Coat	Black

Package Specifications

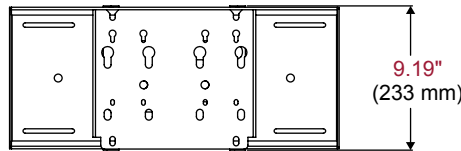
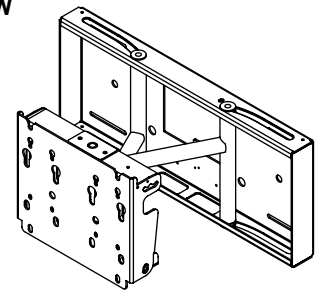
	PACKAGE SIZE (W x H x D)	PACKAGE SHIP WEIGHT	PACKAGE UPC CODE	PACKAGE CONTENTS	UNITS IN PACKAGE
SP850-V2X2	12" x 4.69" x 33" (305 x 119 x 838mm)	25lb (11kg)	735029283379	Wall Mount assembly, LockKey™ installation tool, locking tab, cable management sleeve, fastener pack and VESA® 200 x 200mm adapter	1

All dimensions = inch (mm)

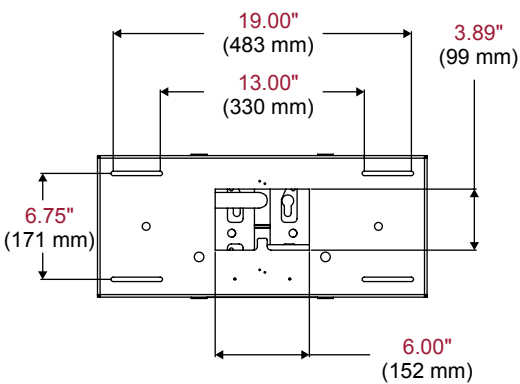
TOP VIEW



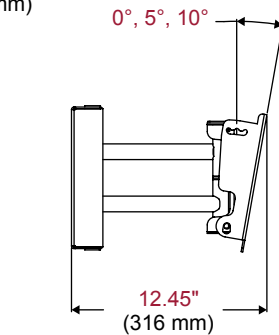
ISOMETRIC VIEW



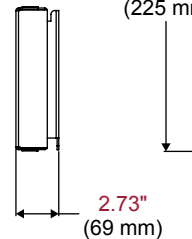
FRONT VIEW



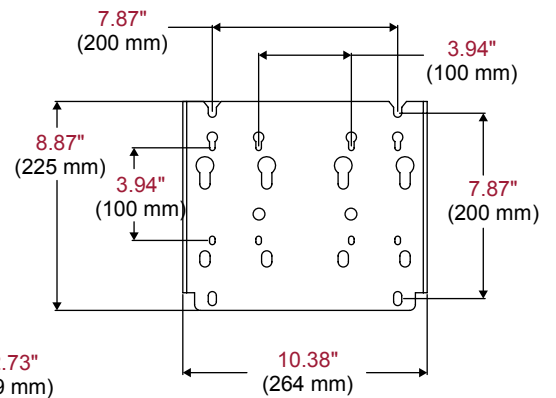
BACK VIEW



SIDE VIEW EXTENDED



SIDE VIEW RETRACTED



ADAPTER PLATE DETAIL

ARCHITECTS SPECIFICATIONS

The Pull-out Pivot Wall Mount shall be Peerless-AV model SP850-V2X2 shall be located where indicated on the plans. It shall be constructed of heavy gauge steel. The finish shall be scratch resistant black fused epoxy. Assembly and installation shall be done according to instructions provided by the manufacturer.