

PA521U/PA571W/PA621X Installation Guide

Desktop and Ceiling Mount

Rev 1.0

Contents

Product Description, Lens Specs, Screen/Aspect Ratio	
Notes and Formulas	Pg 1
Distance Charts and Formulas	Pg 2-4
Ceiling Mount/Desktop Installation	Pg 5
Lens Shift Adjustable Range	Pg 6
Cabinet Dimensions	Pg 7
Cabinet Dimensions	Pg 8
Cabinet Dimensions (Terminal Cover)	Pg 9
Lens Dimensions (Optional)	Pg 10-12
Ceiling Mount Dimensions and Input Panel	Pg 13
Control Codes	Pg 14



Product Description

Type:	3 panel LCD projector, 0.75 p-Si TFT w/MLA (PA571W) 0.76 p-Si TFT w/MLA (PA521U) 0.79 p-Si TFT w/MLA (PA621X)	Dimensions: 19.7"(W) x 6.5"(H) x 14.4"(D)	Weight: 18.5 lbs
Resolution:	1280 x 800 (16:10) 1920 x 1200 (16:10) 1024 x 768 (4:3)	Brightness:	PA571W: 5700 Lumens PA521U: 5200 Lumens PA621X: 6200 Lumens
Fan Noise:	39 dB / 33dB @ 1 meter	BTU's:	1571 BTU/hour
Power Consumption:	460W (max)		

Network Ready, integrated wired and wireless adapter
Manual: Lens Shift, Horizontal & Vertical /Zoom/ Focus

Lens Specifications

NP11FL: Throw Ratio: ~ 0.8:1 Screen Sizes: 60"-150"	Focal Length: 13.2mm F/#:2.3	NP14ZL: Throw Ratio: 2.97 -4.79:1 Screen Sizes: 60" - 200"	Focal Length: 48.5 - 77.6mm F/#:2.2 -2.64
NP12ZL: Throw Ratio: 1.19 - 1.56:1 Screen Sizes: 40" - 200"	Focal Length: 19.4 – 25.3mm F/#:2.2 – 2.69	NP15ZL: Throw Ratio: 4.70 - 7.02:1 Screen Sizes: 80" - 200"	Focal Length: 76.6 - 116.5mm F/#:2.2 - 2.7
NP13ZL: Throw Ratio: 1.50 - 3.02:1 Screen Sizes: 40" - 200"	Focal Length: 24.4 – 48.6mm F/#:1.7 – 2.37	NP30ZL: Throw Ratio: 0.79 – 1.04:1 Screen Sizes: 40" - 200"	Focal Length: 13.2 – 17.2mm F/#:1.9 - 2.1

Screen/Aspect Ratio

4:3, 16:9 and 16:10 screens are fully supported with proper aspect ratio control for both type sources using NEC developed scaling technology. Menu selections have settings for each screen type and aspect ratio control for each source type.

Notes

- For screen sizes not indicated on the projection tables, use the formulas below.
If the figures on the tables do not match the results of formulas, use the figures in the table..
- Distances are in inches, for millimeters multiply by 25.4.
- Distances may vary ±5%.

PA521U/PA571W/PA621X Installation Guide

Desktop and Ceiling Mount

Rev 1.0

Formulas: 4:3 Aspect Ratio (PA621X—XGA)

The Projection Formulas use the image width for calculation. Image width is the same for all aspect ratios, only vertical image size varies. For proper projector placement, determine the image width for a desired screen size. Use the Screen Formulas below to calculate all screen dimensions. Plug in the image width for “W” in the Projection Formulas.

Refer to the diagrams and charts for popular screen sizes on page 2 and 3:

Projection Formulas:

- NP11FL: C = 0.827W – 1.374
- NP12ZL: C(Wide) = 1.214W – 1.794 ----- C(Tele) = 1.578W – 1.794
- NP13ZL: C(Wide) = 1.525W – 1.974 ----- C(Tele) = 3.043W – 1.972
- NP14ZL: C(Wide) = 3.034W – 4.844 ----- C(Tele) = 4.855W – 4.844
- NP15ZL: C(Wide) = 4.797W – 7.630 ----- C(Tele) = 7.291W – 7.660
- NP30ZL: C(Wide) = 0.827W – 1.587 ----- C(Tele) = 1.078W – 1.587

Definitions:

- W = Image Width
- H = Image Height (size)
- C = Throw distance

4:3 Screen Formulas:

- W = H x 4/3
- H = W x 3/4
- Diagonal = W x 5/4

Note: Tilting the front of the projector up or down by more than 45° from level could reduce lamp life by up to 20%.

Distance Chart for popular 4:3 screens

Screen Size (4:3)			Rear Lens	Zoom Lenses					
			NP11FL	NP30ZL	NP12ZL	NP13ZL	NP14ZL	NP15ZL	
Diagonal	Width(W)	Height (H)	0.8:1	0.79 - 1.04:1	1.19 - 1.56:1	1.50 - 3.02:1	2.97 -4.79:1	4.70 - 7.20:1	
inches	inches	inches	inches	inches		inches		inches	
40	32	24	25.09	24.9 - 32.9	37.1 - 48.7	46.8 - 95.4	92.2 - 150.5	145.9	225.7
60	48	36	25.09	38.1 - 50.2	56.5 - 74.0	71.2 - 144.1	140.8 - 228.2	222.6	342.3
67	54	40	25.09	42.7 - 56.2	63.3 - 82.8	79.8 - 161.1	157.8 - 255.4	249.5	383.1
72	58	43	25.09	46.0 - 60.5	68.1 - 89.1	85.9 - 173.3	169.9 - 274.8	268.7	412.3
84	67	50	25.09	54.0 - 70.9	79.8 - 104.2	100.5 - 202.5	199.0 - 321.4	314.7 - 482.3	
90	72	54	25.09	58.0 - 76.0	85.6 - 111.8	107.8 - 217.1	213.6 - 344.7	337.8 - 517.3	
100	80	60	25.09	64.6 - 84.7	95.3 - 124.4	120.0 - 241.5	237.9 - 383.6	376.1 - 575.6	
120	96	72	25.09	77.8 - 101.9	114.8 - 149.7	144.4 - 290.2	286.4 - 461.2	452.9 - 692.3	
150	120	90	NA	97.7 - 127.8	143.9 - 187.6	181.0 - 363.2	359.2 - 577.8	568.0 - 867.3	
180	144	108	NA	117.5 - 153.6	173.0 - 225.4	217.6 - 436.2	432.1 - 694.3	683.1 - 1042.2	
210	168	126	NA	137.3 - 179.5	202.2 - 263.3	254.2 - 509.3	504.9 - 810.8	798.3 - 1217.2	
240	192	144	NA	157.2 - 205.4	231.3 - 301.2	290.8 - 582.3	577.7 - 927.3	913.4 - 1392.2	
270	216	162	NA	177.0 - 231.3	260.4 - 339.1	327.4 - 655.3	650.5 - 1043.8	1028.5 - 1567.2	
300	240	180	NA	196.9 - 257.1	289.6 - 376.9	364.0 - 728.3	723.3 - 1160.4	1143.7 - 1742.2	
400	320	240	NA	263.1 - 343.4	386.7 - 503.2	486.0 - 971.8	966.0 - 1548.8	1527.4 - 2325.5	
500	400	300	NA	329.2 - 429.6	483.8 - 629.4	608.0 - 1215.2	1208.8 - 1937.2	1911.2 - 2908.7	

PA521U/PA571W/PA621X Installation Guide

Desktop and Ceiling Mount

Rev 1.0

Formulas: 16:10 Aspect Ratio (PA571W—WXGA)

The Projection Formulas use the image width for calculation. Image width is the same for all aspect ratios, only vertical image size varies. For proper projector placement, determine the image width for a desired screen size. Use the Screen Formulas below to calculate all screen dimensions. Plug in the image width for “W” in the Projection Formulas.

Refer to the diagrams and charts for popular screen sizes on page 2 and 3:

Projection Formulas:

NP11FL:	C = 0.812W – 1.346	
NP12ZL:	C(Wide) = 1.193W – 1.795	C(Tele) = 1.551W – 1.795
NP13ZL:	C(Wide) = 1.495W – 1.972	C(Tele) = 2.985W – 1.972
NP14ZL:	C(Wide) = 2.976W – 4.843	C(Tele) = 4.763W – 4.843
NP15ZL:	C(Wide) = 4.708W – 7.630	C(Tele) = 7.154W – 7.630
NP30ZL:	C(Wide) = 0.808W – 1.587	C(Tele) = 1.054W – 1.587

Definitions:

W = Image Width
H = Image Height (size)
C = Throw distance

16:10 Screen Formulas:

W = H x 16/10
H = W x 10/16
Screen Diagonal = W x 18.868/16

Distance Chart for popular 16:10 Screens (WXGA)

Screen Size (16:10)			Rear Lens	Zoom Lenses						
Diagonal	Width(W)	Height (H)	NP11FL	NP30ZL	NP12ZL	NP13ZL	NP14ZL		NP15ZL	
inches	inches	inches	0.8:1	0.79 - 1.04:1	1.19 - 1.56:1	1.50 - 3.02:1	2.97 - 4.79:1		4.70 - 7.20:1	
			inches	inches		inches		inches		inches
40	34	21	26.3	25.9 - 34.3	38.8 - 50.9	48.9 - 99.5	96.3	157.1	152.4	235.6
60	51	32	40.1	39.7 - 52.2	59.0 - 77.3	74.3 - 150.3	146.9	238.1	232.5	357.2
67	57	36	44.9	44.5 - 58.5	66.2 - 86.6	83.2 - 168.2	164.8	266.6	260.7	400.1
72	61	38	48.2	47.8 - 62.8	71.0 - 92.8	89.2 - 180.1	176.7	285.7	279.6	428.8
84	71	45	56.3	55.8 - 73.3	82.9 - 108.3	104.2 - 210.0	206.5	333.3	326.6	500.3
90	76	48	60.4	59.9 - 78.6	88.9 - 116.1	111.6 - 224.9	221.3	357.1	350.2	536.1
100	85	53	67.7	67.1 - 88.1	99.6 - 130.0	125.1 - 251.8	248.1	400.0	392.6	600.5
120	102	64	81.5	80.9 - 106.0	119.9 - 156.4	150.5 - 302.5	298.7	481.0	472.6	722.1
150	127	79	NA	101.1 - 132.3	149.7 - 195.2	187.9 - 377.1	373.1	600.1	590.3	900.9
180	153	95	NA	122.1 - 159.7	180.7 - 235.5	226.8 - 454.7	450.5	723.9	712.7	1086.9
210	178	111	NA	142.3 - 186.1	210.6 - 274.3	264.1 - 529.4	524.9	843.0	830.4	1265.8
240	204	127	NA	163.3 - 213.5	241.6 - 314.6	303.0 - 607.0	602.3	966.8	952.8	1451.8
270	229	143	NA	183.5 - 239.8	271.4 - 353.4	340.4 - 681.6	676.7	1085.9	1070.5	1630.6
300	254	159	NA	203.7 - 266.2	301.2 - 392.2	377.8 - 756.2	751.1	1205.0	1188.2	1809.5
400	339	212	NA	272.4 - 355.8	402.6 - 524.0	504.8 - 1009.9	1004.0	1609.8	1588.4	2417.6
500	424	265	NA	341.1 - 445.4	504.0 - 655.8	631.9 - 1263.7	1257.0	2014.7	1988.6	3025.7

PA521U/PA571W/PA621X Installation Guide

Desktop and Ceiling Mount

Rev 1.0

Formulas: 16:10 Aspect Ratio (PA521U—WUXGA)

The Projection Formulas use the image width for calculation. Image width is the same for all aspect ratios, only vertical image size varies. For proper projector placement, determine the image width for a desired screen size. Use the Screen Formulas below to calculate all screen dimensions. Plug in the image width for “W” in the Projection Formulas.

Refer to the diagrams and charts for popular screen sizes on page 2 and 3:

Projection Formulas:

- NP11FL: C = 0.807W – 1.354
- NP12ZL: C(Wide) = 1.185W – 1.794 ----- C(Tele) = 1.541W – 1.794
- NP13ZL: C(Wide) = 1.488W – 1.974 ----- C(Tele) = 2.970W – 1.972
- NP14ZL: C(Wide) = 2.961W – 4.844 ----- C(Tele) = 4.737W – 4.844
- NP15ZL: C(Wide) = 4.681W – 7.630 ----- C(Tele) = 7.115W – 7.630
- NP30ZL: C(Wide) = 0.808W – 1.537 ----- C(Tele) = 1.054W – 1.537

Definitions:

- W = Image Width
- H = Image Height (size)
- C = Throw distance

16:10 Screen Formulas

- W = H x 16/10
- H = W x 10/16
- Screen Diagonal = W x 18.868/16

Distance Chart for popular 16:10 Screens (WUXGA)

Screen Size (16:10)			Rear Lens	Zoom Lenses								
Diagonal	Width(W)	Height (H)	NP11FL	NP30ZL	NP12ZL	NP13ZL	NP14ZL	NP15ZL				
inches	inches	inches	0.8:1	0.79 - 1.04:1	1.19 - 1.56:1	1.50 - 3.02:1	2.97 - 4.79:1	4.70 - 7.20:1				
			inches	inches	inches	inches	inches	inches				
40	34	21	26.08	25.9 - 34.3	38.5 - 50.6	48.6 - 99.0	95.8 - 156.2	151.5 - 234.3				
60	51	32	39.80	39.7 - 52.2	58.6 - 76.8	73.9 - 149.5	146.2 - 236.7	231.1 - 355.2				
67	57	36	44.65	44.5 - 58.5	65.8 - 86.0	82.8 - 167.3	163.9 - 265.2	259.2 - 397.9				
72	61	38	47.87	47.8 - 62.8	70.5 - 92.2	88.8 - 179.2	175.8 - 284.1	277.9 - 426.4				
84	71	45	55.94	55.8 - 73.3	82.3 - 107.6	103.7 - 208.9	205.4 - 331.5	324.7 - 497.5				
90	76	48	59.98	59.9 - 78.6	88.3 - 115.3	111.1 - 223.7	220.2 - 355.2	348.1 - 533.1				
100	85	53	67.24	67.1 - 88.1	98.9 - 129.2	124.5 - 250.5	246.8 - 397.8	390.3 - 597.1				
120	102	64	80.96	80.9 - 106.0	119.1 - 155.4	149.8 - 301.0	297.2 - 478.3	469.8 - 718.1				
150	127	79	NA	101.1 - 132.3	148.7 - 193.9	187.0 - 375.2	371.2 - 596.8	586.9 - 896.0				
180	153	95	NA	122.1 - 159.7	179.5 - 234.0	225.7 - 452.4	448.2 - 719.9	708.6 - 1081.0				
210	178	111	NA	142.3 - 186.1	209.1 - 272.5	262.9 - 526.7	522.2 - 838.3	825.6 - 1258.8				
240	204	127	NA	163.3 - 213.5	239.9 - 312.6	301.6 - 603.9	599.2 - 961.5	947.3 - 1443.8				
270	229	143	NA	183.5 - 239.8	269.6 - 351.1	338.8 - 678.2	673.2 - 1079.9	1064.3 - 1621.7				
300	254	159	NA	203.7 - 266.2	299.2 - 389.6	376.0 - 752.4	747.3 - 1198.4	1181.3 - 1799.6				
400	339	212	NA	272.4 - 355.8	399.9 - 520.6	502.5 - 1004.9	998.9 - 1601.0	1579.2 - 2404.4				
500	424	265	NA	341.1 - 445.4	500.6 - 651.6	628.9 - 1257.3	1250.6 - 2003.6	1977.1 - 3009.1				

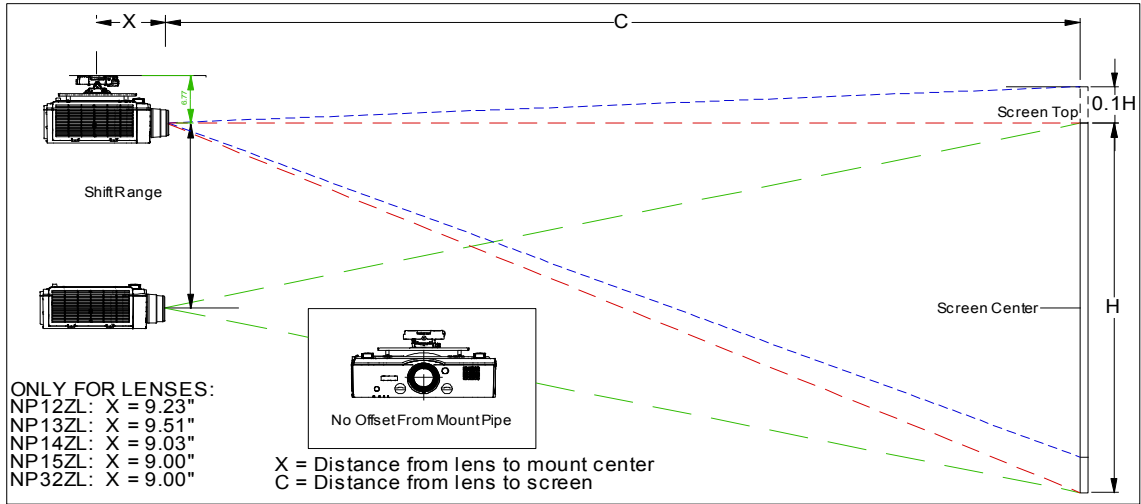
Note: For screen sizes not indicated in projection tables, refer to formulas above respective charts.

PA521U/PA571W/PA621X Installation Guide

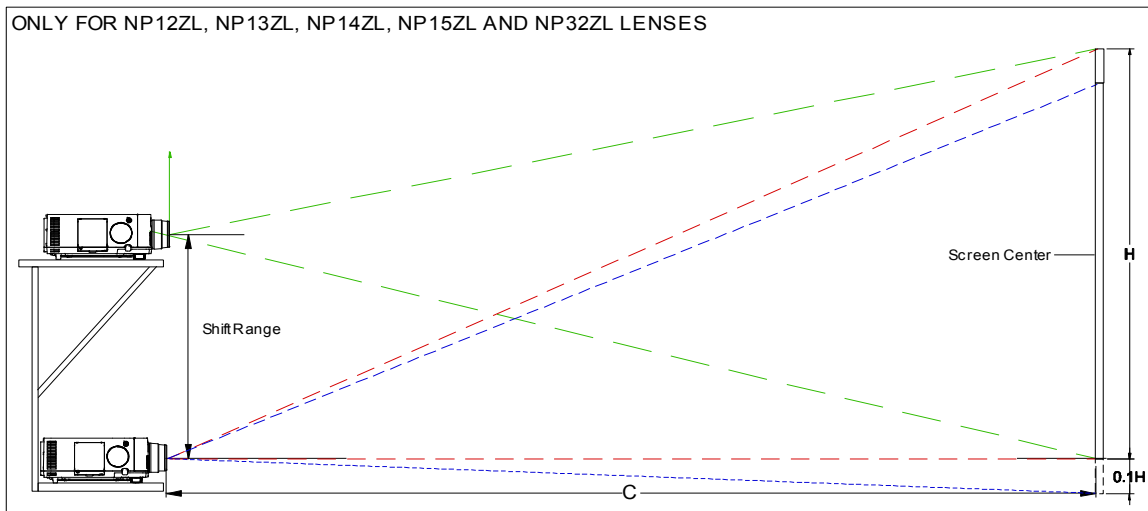
Desktop and Ceiling Mount

Rev 1.0

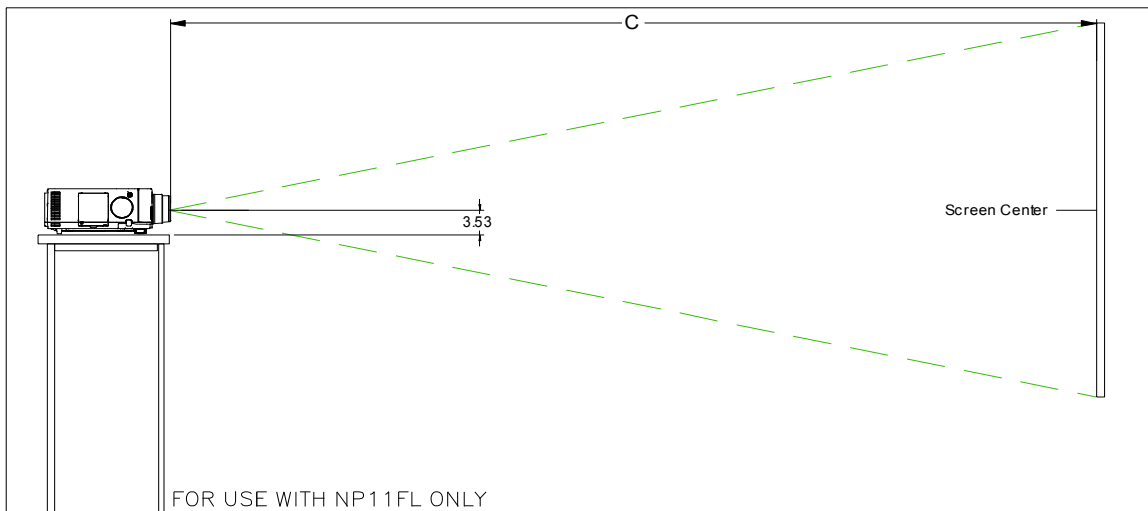
Ceiling Mount Installation



Desktop Installation



Note: Lens Shift Feature is not available to NP11FL. This lens should only be used for "zero degree"/"no-offset" applications. See below

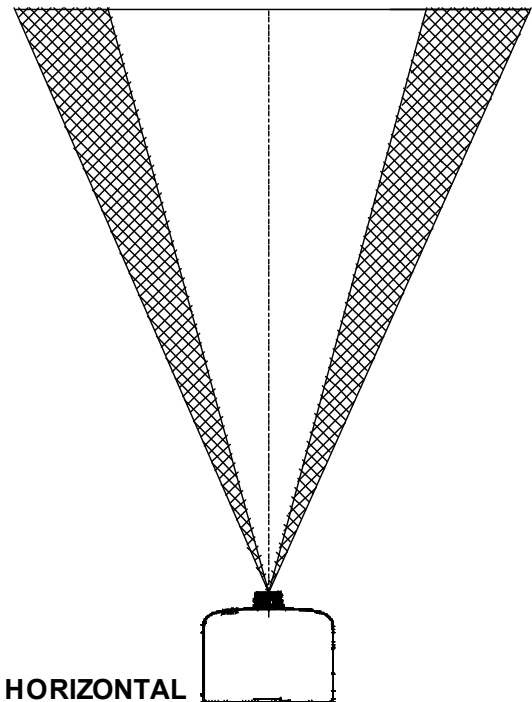
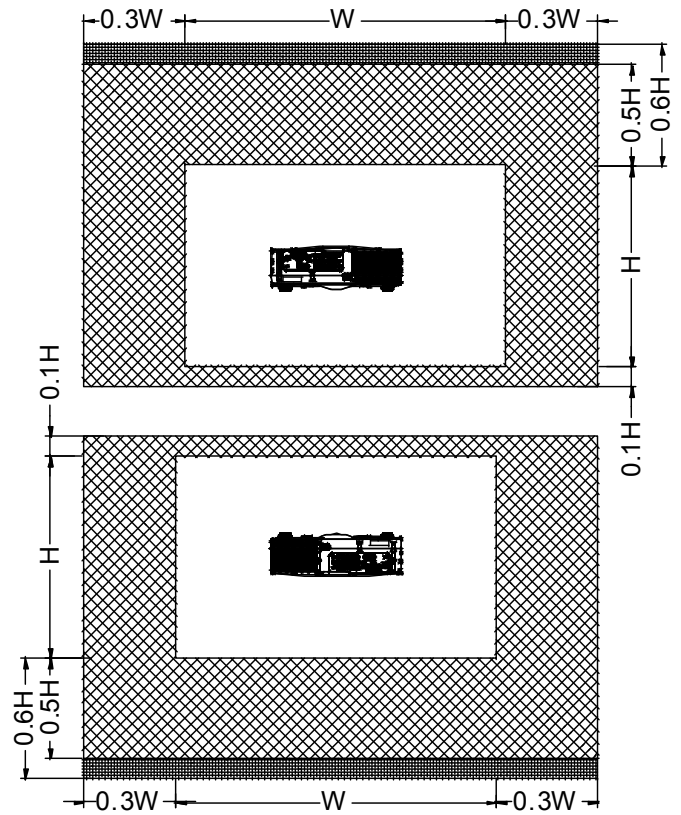
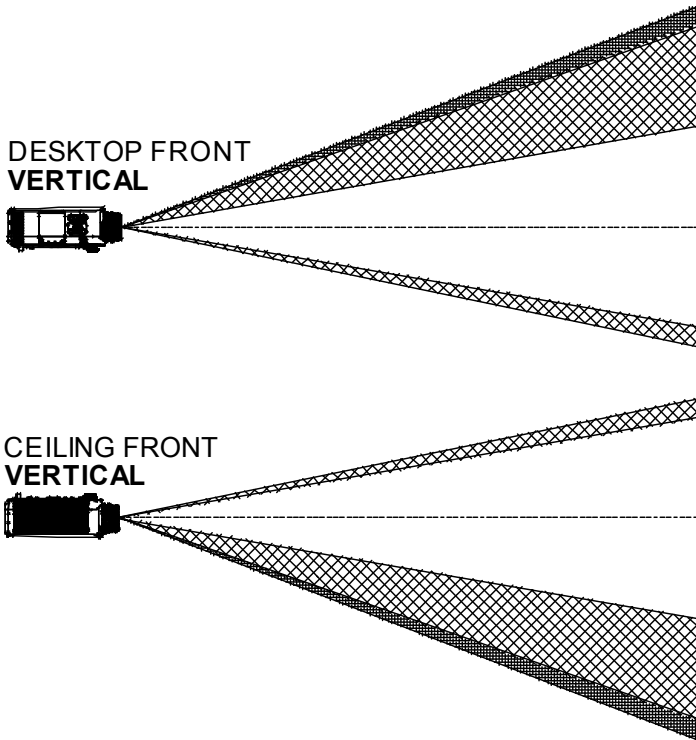


PA521U/PA571W/PA621X Installation Guide

Desktop and Ceiling Mount

Rev 1.0

Lens Shift Adjustable Range



Lens Shift Range for Desktop and Ceiling Mount Application

The diagram below shows the location of the image position in the lens. The lens can be shifted within the shaded area as shown using the normal projection position as a starting point.

Note: Lens shift feature is not available with NP11FL (rear lens). NP11FL should be used only for "zero degree" / "no-offset" applications.

Maximum Possible Range for NP12ZL, NP13ZL, NP14ZL, NP15ZL, NP32ZL:

Towards ceiling/floor: 0.5H (0.6H for PA571W)

Away from ceiling/floor: 0.1H

Right: 0.3W

Left: 0.3W

(W: width of projected image, H: height of projected image)

Note: Horizontal lens shift range for the PA521U is 0.15W at a 200" projected image with NP13ZL

PA521U/PA571W/PA621X Installation Guide

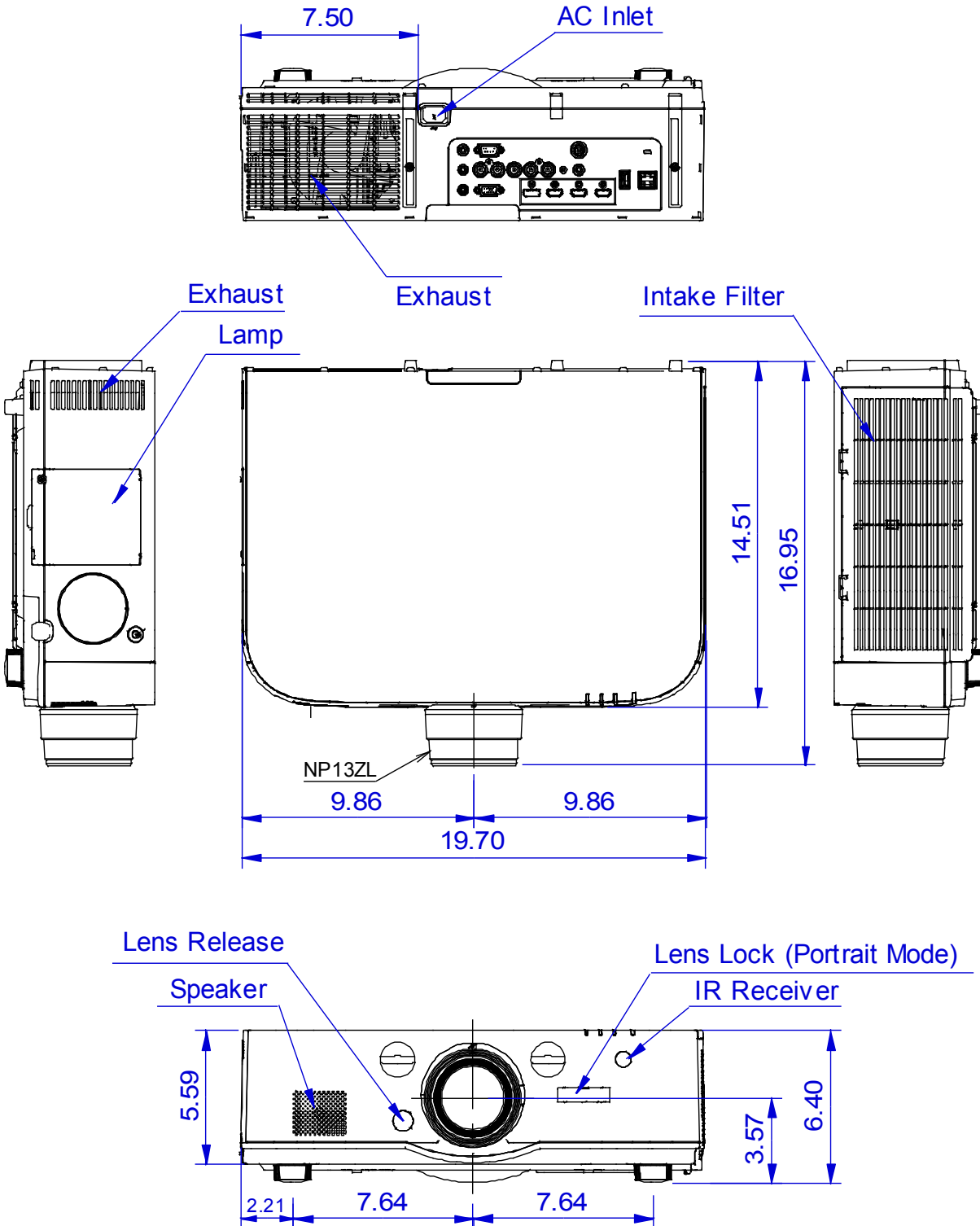
Desktop and Ceiling Mount

Rev 1.0

Cabinet Dimensions

The following diagrams show the cabinet dimensions for the PA521U/ PA571W/PA621X. Dimensions are in inches. For millimeters multiply by 25.4.

Note: Dimensions below shown with the NP13ZL lens

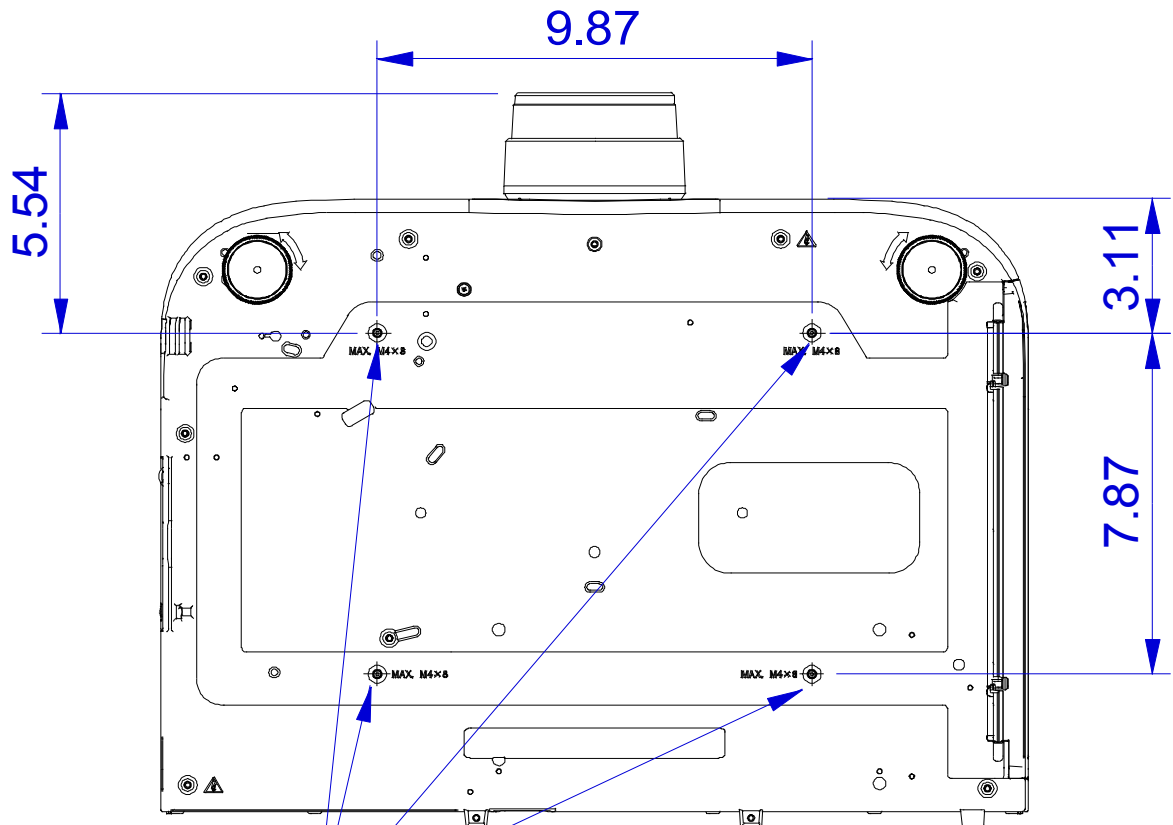


PA521U/PA571W/PA621X Installation Guide

Desktop and Ceiling Mount

Rev 1.0

Cabinet Dimensions



4 - M4x8mm

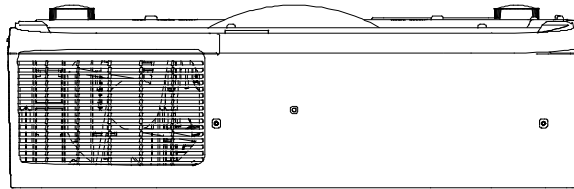
FOR CEILING MOUNT

PA521U/PA571W/PA621X Installation Guide

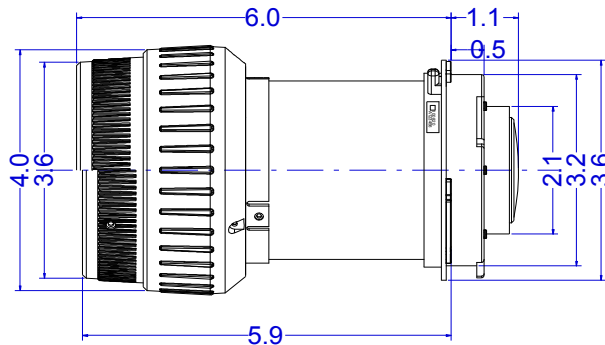
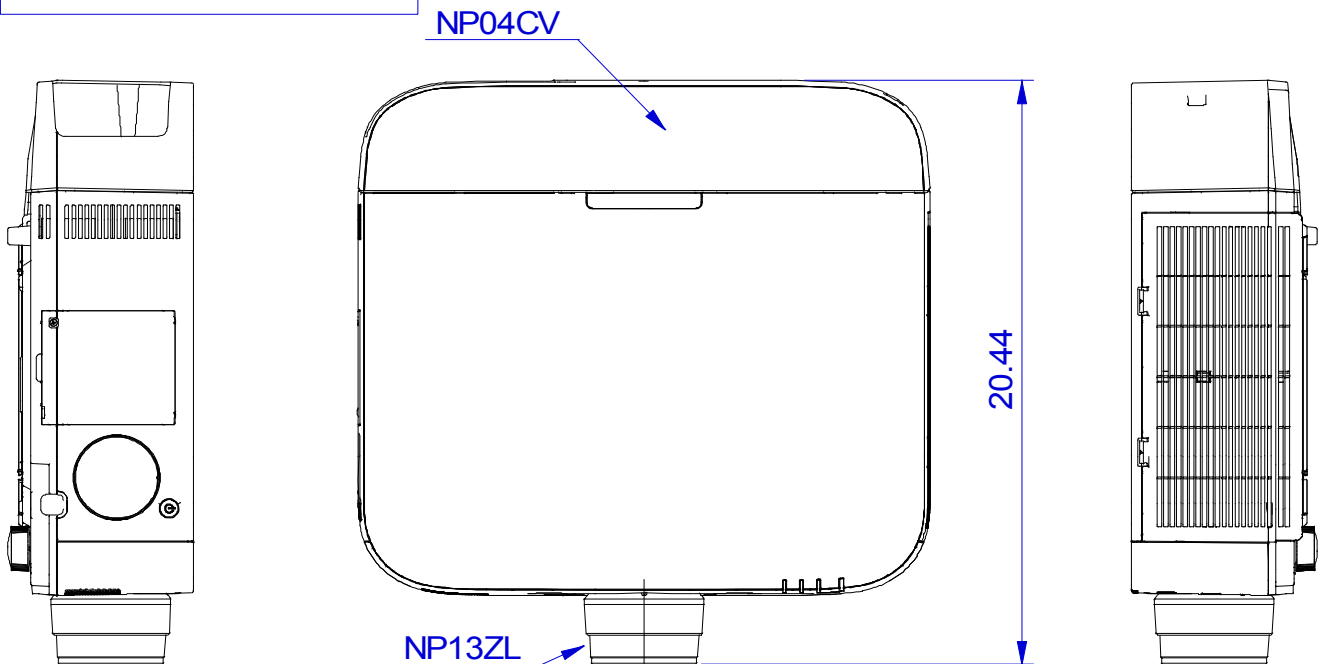
Desktop and Ceiling Mount

Rev 1.0

Optional Terminal Cover (Part #: NP04CV)



NP13ZL & NP04CV



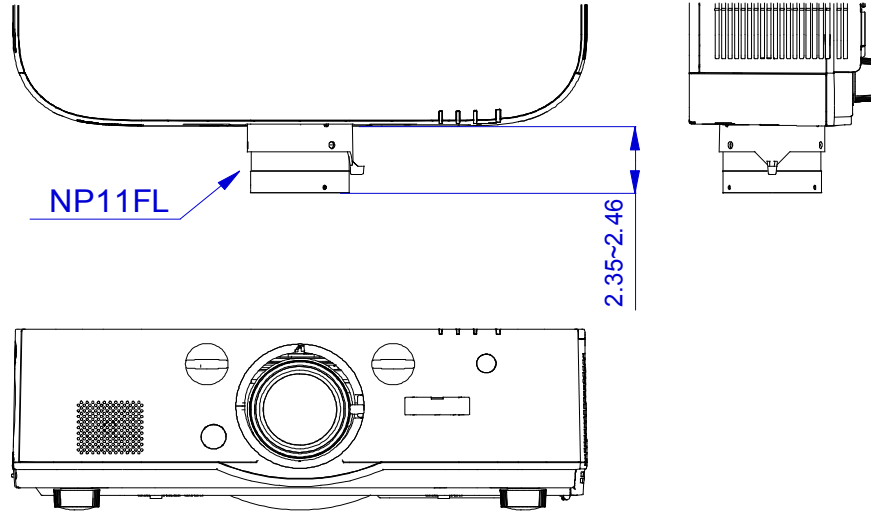
PA521U/PA571W/PA621X Installation Guide

Desktop and Ceiling Mount

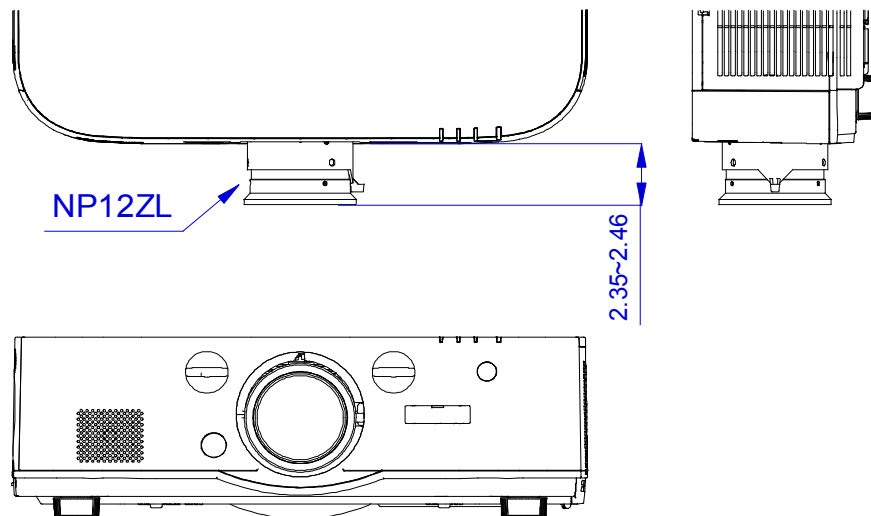
Rev 1.0

Optional Lens Dimensions (NP11FL and NP12ZL)

NP11FL



NP12ZL



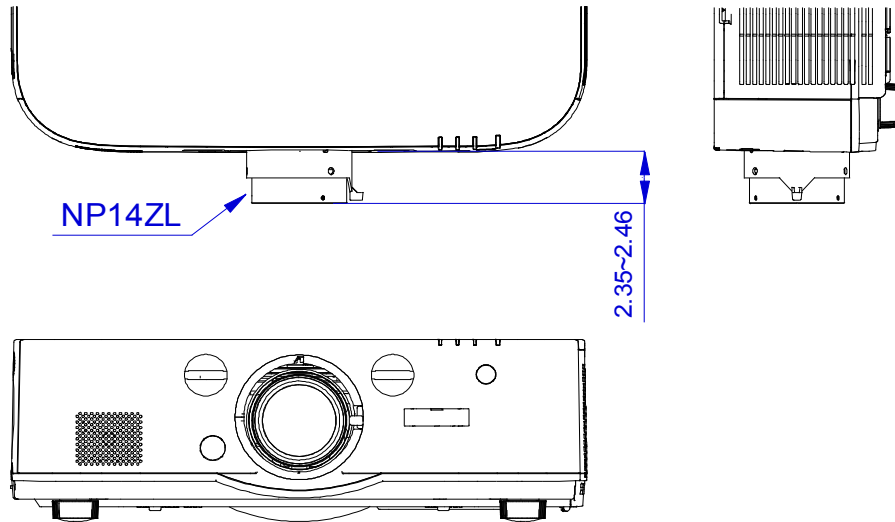
PA521U/PA571W/PA621X Installation Guide

Desktop and Ceiling Mount

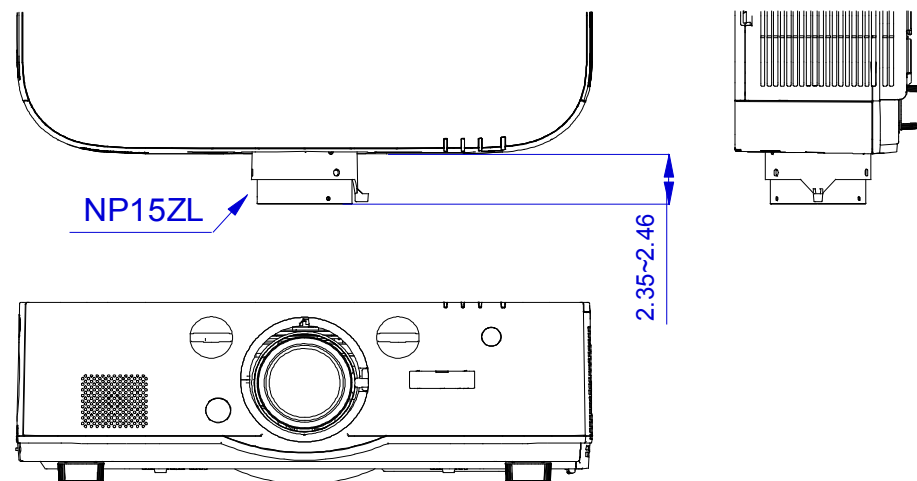
Rev 1.0

Optional Lens Dimensions (NP14ZL and NP15ZL)

NP14ZL



NP15ZL



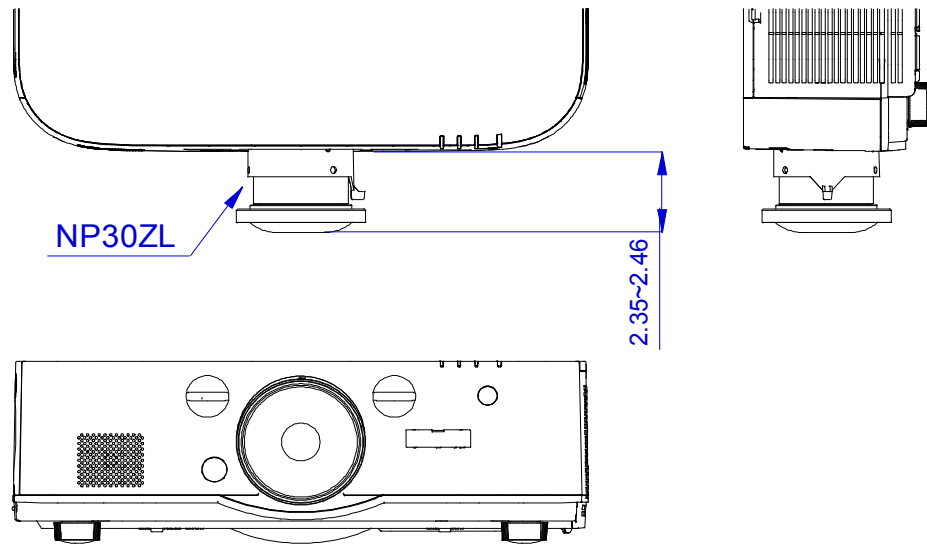
PA521U/PA571W/PA621X Installation Guide

Desktop and Ceiling Mount

Rev 1.0

Optional Lens Dimensions (NP30ZL)

NP30ZL



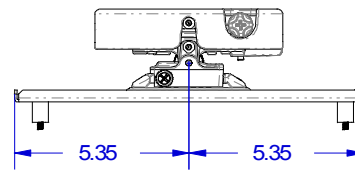
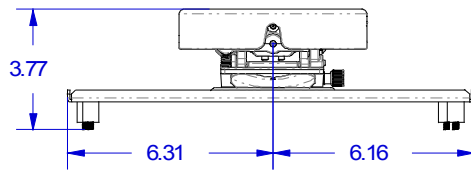
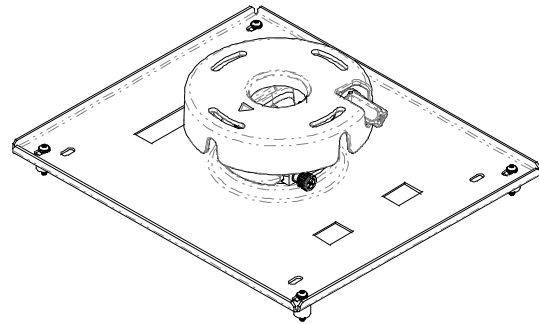
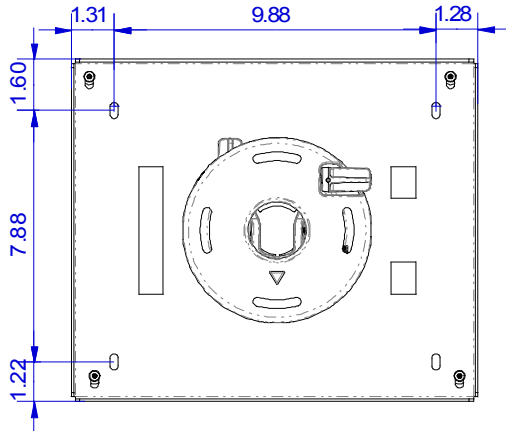
PA521U/PA571W/PA621X Installation Guide

Desktop and Ceiling Mount

Rev 1.0

Optional Ceiling Mount Dimensions (Part #: NP3250CM)

The following diagrams show ceiling mount dimensions for the NP3250CM. Dimensions are in inches. For millimeters multiply by 25.4.



Input Panel



PA521U/PA571W/PA621X Installation Guide

Desktop and Ceiling Mount

Rev 1.0

PC Control Codes

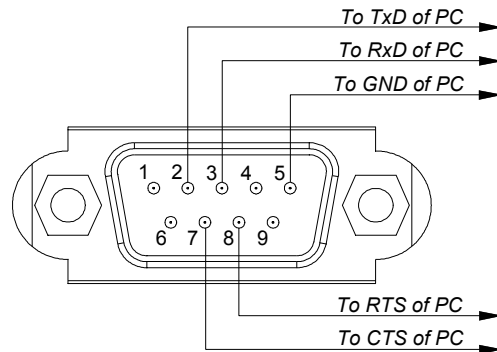
Function	Code Data
POWER ON	02H 00H 00H 00H 00H 02H
POWER OFF	02H 01H 00H 00H 00H 03H
INPUT SELECT VGA	02H 03H 00H 00H 02H 01H 01H 09H
INPUT SELECT BNC	02H 03H 00H 00H 02H 01H 02H 0AH
INPUT SELECT HDMI	02H 03H 00H 00H 02H 01H 1AH 22H
INPUT SELECT DisplayPort	02H 03H 00H 00H 02H 01H 1BH 23H
INPUT SELECT BNC (CV)	02H 03H 00H 00H 02H 01H 06H 0EH
INPUT SELECT BNC (Y/C)	02H 03H 00H 00H 02H 01H 0BH 13H
INPUT SELECT NETWORK	02H 03H 00H 00H 02H 01H 1FH 27H
INPUT SELECT HDBaseT	02H 03H 00H 00H 02H 01H 20H 28H
PICTURE MUTE ON	02H 10H 00H 00H 00H 12H
PICTURE MUTE OFF	02H 11H 00H 00H 00H 13H
SOUND MUTE ON	02H 12H 00H 00H 00H 14H
SOUND MUTE OFF	02H 13H 00H 00H 00H 15H
ON SCREEN MUTE ON	02H 14H 00H 00H 00H 16H
ON SCREEN MUTE OFF	02H 15H 00H 00H 00H 17H
ASPECT RATIO (4:3 Screen)	
4:3	03H 10H 00H 00H 05H 18H 00H 00H 00H 00H 30H
LETTERBOX	03H 10H 00H 00H 05H 18H 00H 00H 01H 00H 31H
WIDESCREEN	03H 10H 00H 00H 05H 18H 00H 00H 02H 00H 32H
ZOOM	03H 10H 00H 00H 05H 18H 00H 00H 03H 00H 33H
ASPECT RATIO (RGB)	
4:3 WINDOW	03H 10H 00H 00H 05H 18H 00H 00H 00H 00H 30H
16:9	03H 10H 00H 00H 05H 18H 00H 00H 02H 00H 32H
5:4	03H 10H 00H 00H 05H 18H 00H 00H 0BH 00H 3BH
16:10	03H 10H 00H 00H 05H 18H 00H 00H 0CH 00H 3CH
15:9	03H 10H 00H 00H 05H 18H 00H 00H 0DH 00H 3DH
AUTO ADJUST	02H 0FH 00H 00H 02H 05H 00H 18H

Cable Connection

Communication Protocol:

Baud Rate: 38400 bps (for cable lengths longer than 20', it is recommended changing to 9600 bps in setup menu)
 Data Length: 8 bits
 Parity: No Parity
 Stop Bit: One bit
 X on/off: None
 Communications: Full duplex

PC Control Connector (D-Sub 9P)



NOTE 1 : Pins 1, 4, 6, and 9 are used inside the projector.

NOTE 2 : For long cable runs it is recommended to set communication speed within the projector to 9600 bps.

NOTE 3 : Jumper "Request to Send" and "Clear to Send" together on both ends of the cable to simplify cable connection.