

---

**S P E C F I L E**

---

Product Number : **PT-VX600**

Product Name : LCD Projectors

**Specifications**

**Main unit**

Power supply		AC 120 V, 50/60 Hz (North America), AC 110 V, 60 Hz (Taiwan), AC 100–240 V, 50/60 Hz (other countries)
Power consumption		356 W (North America), 362 W (Taiwan), 362 W (other countries) 0.2 W when STANDBY MODE set to ECO <sup>*1</sup> (North America), 0.2 W when STANDBY MODE set to ECO <sup>*1</sup> (Taiwan), 0.4 W when STANDBY MODE set to ECO <sup>*1</sup> (other countries) 8 W when STANDBY MODE set to NORMAL (20 W at rated audio output.)
LCD panel	Panel size	16.0 mm (0.63 inches) diagonal (4:3 aspect ratio)
	Display method	Transparent LCD panel (× 3, R/G/B)
	Drive method	Active matrix method
	Pixels	786,432 (1,024 × 768) × 3, total of 2,359,296 pixels
Lens		Manual zoom (1.6×), manual focus, F 1.60–1.90, f 15.31–24.64 mm
Throw ratio		1.2–1.9:1
Lamp		270 W UHM lamp
Screen size		0.76–7.62 m (30–300 inches) diagonally, 4:3 aspect ratio
Colors		Full color (16,777,216 colors)
Brightness* <sup>2</sup>		5,500 lumens (ANSI) (Input signals: PC, Lamp power: Normal, Picture mode: Dynamic)
Center-to-corner uniformity* <sup>2</sup>		85%
Contrast* <sup>2</sup>		1,000:1 (full on/off, Input signals: PC, Lamp power: Normal, Picture mode: Dynamic, Iris: on)
Resolution		XGA 1,024 × 768 pixels (Input signals that exceed this resolution will be converted to 1,024 × 768 pixels.)
Scanning frequency	HDMI	480i (525i)* <sup>3</sup> , 576i (625i)* <sup>3</sup> , 480p (525p), 576p (625p), 720 (750)/60p, 720 (750)/50p, 1080 (1125)/60i, 1080 (1125)/50i, 1080 (1125)/25p, 1080 (1125)/24p, 1080 (1125)/24sF, 1080 (1125)/30p, 1080 (1125)/60p, 1080 (1125)/50p VGA (640 × 480)–WUXGA (1,920 × 1,200), VESA CVT-RB compliant dot clock: 25–162 MHz, HDCP compatible
	RGB YPbPr (YCbCr)	f <sub>H</sub> : 15–91 kHz, f <sub>V</sub> : 24–100 Hz, dot clock: 162 MHz or lower 480i (525i): f <sub>H</sub> 15.73 kHz; f <sub>V</sub> 59.94 Hz, 576i (625i): f <sub>H</sub> 15.63 kHz; f <sub>V</sub> 50 Hz, 480p (525p): f <sub>H</sub> 31.47 kHz; f <sub>V</sub> 59.94 Hz, 576p (625p): f <sub>H</sub> 31.25 kHz; f <sub>V</sub> 50 Hz, 720 (750)/60p: f <sub>H</sub> 45.00 kHz; f <sub>V</sub> 60 Hz, 720 (750)/50p: f <sub>H</sub> 37.50 kHz; f <sub>V</sub> 50 Hz, 1080 (1125)/60i: f <sub>H</sub> 33.75 kHz; f <sub>V</sub> 60 Hz, 1080 (1125)/50i: f <sub>H</sub> 28.13 kHz; f <sub>V</sub> 50 Hz, 1080 (1125)/25p: f <sub>H</sub> 28.13 kHz; f <sub>V</sub> 25 Hz, 1080 (1125)/24p: f <sub>H</sub> 27.00 kHz; f <sub>V</sub> 24 Hz, 1080 (1125)/24sF: f <sub>H</sub> 27.00 kHz; f <sub>V</sub> 48 Hz, 1080 (1125)/30p: f <sub>H</sub> 33.75 kHz; f <sub>V</sub> 30 Hz, 1080 (1125)/60p: f <sub>H</sub> 67.50 kHz; f <sub>V</sub> 60 Hz, 1080 (1125)/50p: f <sub>H</sub> 56.25 kHz; f <sub>V</sub> 50 Hz
	Video/S-Video	f <sub>H</sub> : 15.73 kHz/15.63 kHz, f <sub>V</sub> : 59.94 Hz/50 Hz [NTSC/NTSC4.43/PAL/PAL60/PAL-N/PAL-M/SECAM]
Optical axis shift		Vertical 0 – +40% from center of screen (manual), U/D ratio on top end: 9:1
Keystone correction range		Vertical: maximum ±35° (auto/manual, input: XGA), Horizontal: maximum ±35° (manual, input: XGA)
Installation		Ceiling/desk, front/rear
Built-in speaker	Size	4 cm (1-9/16 inches) (round) × 1
	Output power	10 W (monaural)

LCD Projectors

Terminals	HDMI IN  COMPUTER 1 IN R, G, B  Y, P <sub>B</sub> (C <sub>B</sub> ), P <sub>R</sub> (C <sub>R</sub> )  S-VIDEO COMPUTER 2 IN / 1 OUT R, G, B  Y, P <sub>B</sub> (C <sub>B</sub> ), P <sub>R</sub> (C <sub>R</sub> )  VIDEO IN AUDIO IN 1 AUDIO IN 2 / MIC IN AUDIO IN 3 AUDIO OUT  SERIAL IN LAN	HDMI 19-pin × 2, Deep Color, HDCP compatible Audio signals: Linear PCM (Sampling frequency: 48 kHz/44.1 kHz/32 kHz) D-sub HD 15-pin (female) × 1 G: 0.7 Vp-p (1.0 Vp-p for sync on G), 75 ohms; B, R: 0.7 Vp-p, 75 ohms; HD/SYNC TTL high impedance, automatic positive/negative polarity compatible VD TTL high impedance, automatic positive/negative polarity compatible Y: 1.0 Vp-p (including sync signal); P <sub>B</sub> (C <sub>B</sub> ), P <sub>R</sub> (C <sub>R</sub> ): 0.7 Vp-p, 75 ohms Y: 1.0 Vp-p, C: 0.286 Vp-p, 75 ohms D-sub HD 15-pin (female) × 1, (input/output switching) G: 0.7 Vp-p (1.0 Vp-p for sync on G), 75 ohms; B, R: 0.7 Vp-p, 75 ohms; HD/SYNC TTL high impedance, automatic positive/negative polarity compatible VD TTL high impedance, automatic positive/negative polarity compatible Y: 1.0 Vp-p (including sync signal); P <sub>B</sub> (C <sub>B</sub> ), P <sub>R</sub> (C <sub>R</sub> ): 0.7 Vp-p, 75 ohms Pin jack × 1, 1.0 Vp-p, 75 ohms M3 (L, R) × 1, 0.5 Vrms, input impedance: 22 kilohms or more M3 (L, R) × 1, 0.5 Vrms, input impedance: 22 kilohms or more Pin jack (L, R) × 1, 0.5 Vrms, input impedance: 22 kilohms or more M3 (L, R) × 1 (monitor out, stereo) 0–2.0 Vrms, variable, output impedance: 22 kilohms or less D-sub 9-pin (female) × 1, for external control (RS-232C compliant) RJ-45 × 1, for network connection, 100BASE-TX / 10BASE-TX, compliant with PLink™
Power cord length	2.0 m* (6 ft 7 in)	
Cabinet materials	*PT-VX600D(for India) : 3.0 m (9 ft 10 in)	
Dimensions (W × H × D)	Molded plastic	
Weight <sup>6</sup>	389 × 125 <sup>*4</sup> × 332 <sup>*5</sup> mm	
Operation noise <sup>2</sup>	(15-5/16 × 4-29/32 <sup>*4</sup> × 13-1/16 <sup>*5</sup> inches)	
Operating temperature	Approx. 4.8 kg (10.6 lbs)	
Operating humidity	37 dB (LAMP POWER: NORMAL), 29 dB (LAMP POWER: ECO)	
<b>Remote control unit</b>	0–40 °C (32–104 °F) (altitude: less than 1200 m)	
Power supply	0–30 °C (32–86 °F) (altitude: 1,200 m–2,700 m)	
Operation range <sup>*7</sup>	* When the ambient operating temperature is 35–40 °C (95–104 °F), [Lamp Power] will switch automatically to [Eco mode].	
Dimensions (W × H × D)	20%–80% (no condensation)	
Weight	3 V DC (R03/LR03/AAA type battery × 2)	
Weight	Approx. 7 m (23 ft) when operated from directly in front of the signal receptor	
Weight	44 × 105 × 20.5 mm (1-23/32 × 4-1/8 × 13/16 inches)	
Weight	Approx. 63 g (2.2 oz) (including batteries)	

**Supplied accessories**

Wireless remote control unit (x 1)  
Power cord (2 m\*) (x 1)  
\*PT-VX600D(for India) : 3.0 m  
Software CD-ROM (Operating instructions,  
Multi Projector Monitoring and Control Software,  
Logo Transfer Software) (x 1)  
Batteries for remote control (R03/LR03/AAA type) x 2  
Computer cable (1.8 m) (x 1)  
Lens cap (x 1)

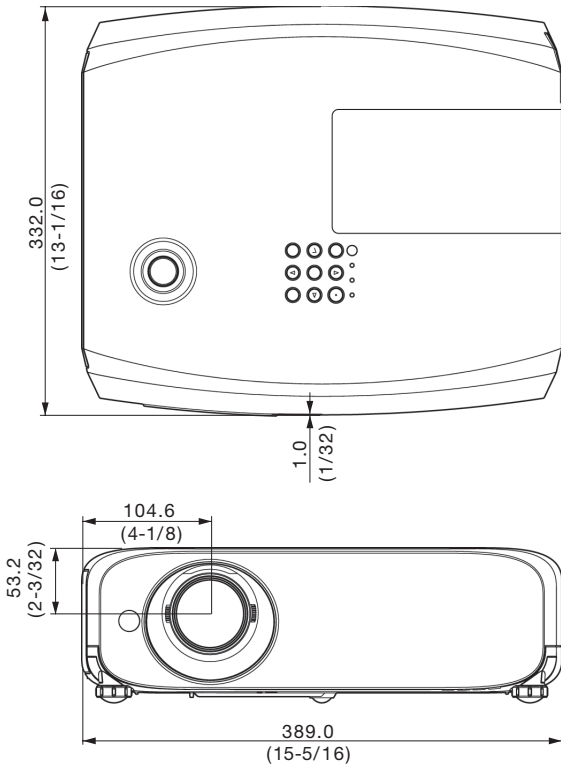
**Optional accessories**

Ceiling mount bracket	ET-PKL100H (for high ceilings)
Ceiling mount bracket	ET-PKL100S (for low ceilings)
Projector Mount Bracket	ET-PKV400B
Replacement lamp unit	ET-LAV400
Replacement filter unit	ET-RFV400
Early Warning Software	ET-SWA100
D-SUB - S Video conversion cable	ET-ADSV

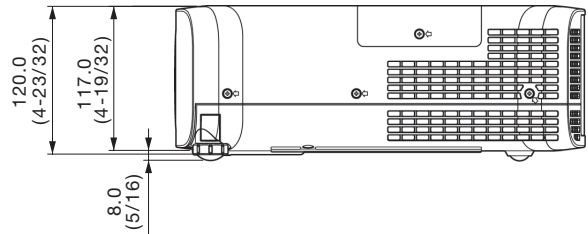
Weights and dimensions shown are approximate. Specifications subject to change without notice.

- \*1 When the Standby mode is set to Eco, network functions such as power on over the LAN network will not operate. Also, only certain commands can be received for external control using the serial terminal.
- \*2 Measurement, measuring conditions, and method of notation all comply with ISO 21118 international standards.
- \*3 Only compatible with dot clock frequency of 27 MHz (pixel repetition signal)
- \*4 With legs at shortest position.
- \*5 Include protruding parts.
- \*6 Average value. May differ depending on models.
- \*7 Operation range differs depending on environments.

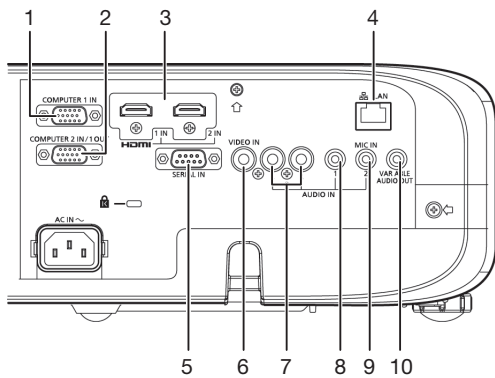
**Dimensions**



unit : mm (inch)  
 NOTE: This illustration is not drawn to scale.

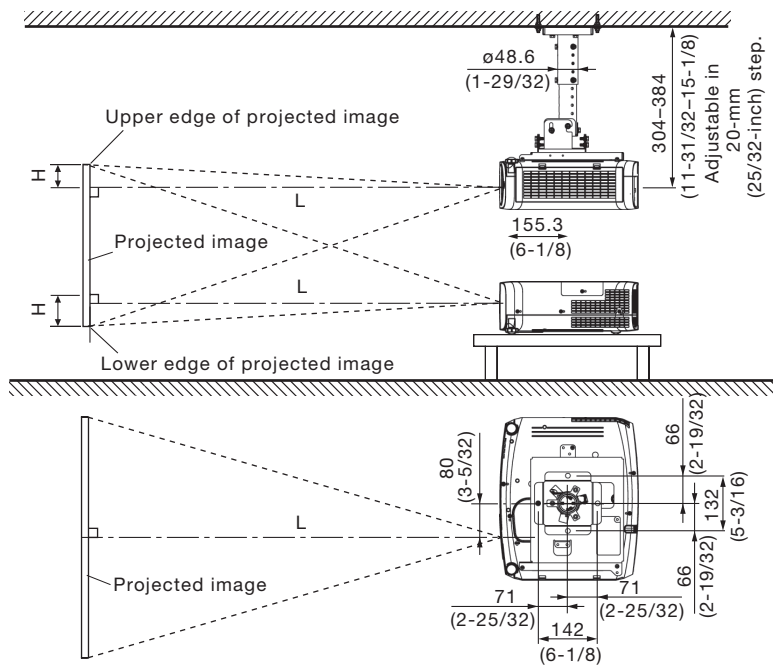


**Terminals**



- 1 Computer 1 input
- 2 Computer 2 input / computer 1 output
- 3 HDMI input
- 4 LAN connector
- 5 Serial input
- 6 Video input
- 7 Audio input 3
- 8 Audio input 1
- 9 Audio input 2
- 10 Audio output

Standard setting-up position



NOTE:

Illustrations show the projector installed using optional ceiling mount bracket ET-PKL100H and projector mount bracket ET-PKV400B.

This illustration is not drawn to scale.

unit : mm (inch)

Caution:

- All construction work should be done by a qualified technician.
- When mounting to the ceiling, use the special mounting bracket. To prevent the projector from dropping, attach the wire that is included with the projector between the mounting bracket and the ceiling.

Projection distance for 16:9 aspect ratio screen

unit: meters (feet)

Projection size [diagonal]	Projection distance [L]		Height from the edge of screen to center of lens [H]
	Min [wide]	Max [telephoto]	
0.76 m / 30"	0.8 (2.5)	1.2 (4.1)	-0.01 – 0.19 (-0.04 – 0.61)
1.02 m / 40"	1.0 (3.3)	1.7 (5.5)	-0.02 – 0.25 (-0.06 – 0.82)
1.27 m / 50"	1.3 (4.2)	2.1 (6.9)	-0.02 – 0.31 (-0.07 – 1.02)
1.52 m / 60"	1.5 (5.1)	2.5 (8.3)	-0.03 – 0.37 (-0.08 – 1.23)
1.78 m / 70"	1.8 (5.9)	2.9 (9.6)	-0.03 – 0.44 (-0.10 – 1.43)
2.03 m / 80"	2.1 (6.8)	3.4 (11.0)	-0.03 – 0.50 (-0.11 – 1.63)
2.29 m / 90"	2.3 (7.6)	3.8 (12.4)	-0.04 – 0.56 (-0.12 – 1.84)
2.54 m / 100"	2.6 (8.5)	4.2 (13.8)	-0.04 – 0.62 (-0.14 – 2.04)
3.05 m / 120"	3.1 (10.2)	5.1 (16.6)	-0.05 – 0.75 (-0.16 – 2.45)
3.81 m / 150"	3.9 (12.8)	6.3 (20.8)	-0.06 – 0.93 (-0.20 – 3.06)
5.08 m / 200"	5.2 (17.1)	8.5 (27.7)	-0.08 – 1.25 (-0.27 – 4.08)
6.35 m / 250"	6.5 (21.4)	10.6 (34.7)	-0.10 – 1.56 (-0.34 – 5.11)
7.62 m / 300"	7.8 (25.7)	12.7 (41.6)	-0.13 – 1.87 (-0.41 – 6.13)

NOTE:

- The value for L (distance to screen) varies slightly depending on the zoom lens characteristics.
- At the shortest projection distance, the zoom lens characteristics may cause slight image distortion.

**Projection distance for 4:3 aspect ratio screen**

unit: meters (feet)

Projection size [diagonal]	Projection distance [L]		Height from the edge of screen to center of lens [H]
	Min [wide]	Max [telephoto]	
0.76 m / 30"	0.7 (2.3)	1.1 (3.7)	0.05 – 0.23 (0.15 – 0.75)
1.02 m / 40"	0.9 (3.1)	1.5 (5.0)	0.06 – 0.31 (0.20 – 1.00)
1.27 m / 50"	1.2 (3.8)	1.9 (6.3)	0.08 – 0.38 (0.25 – 1.25)
1.52 m / 60"	1.4 (4.6)	2.3 (7.6)	0.09 – 0.46 (0.30 – 1.50)
1.78 m / 70"	1.7 (5.4)	2.7 (8.8)	0.11 – 0.53 (0.35 – 1.75)
2.03 m / 80"	1.9 (6.2)	3.1 (10.1)	0.12 – 0.61 (0.40 – 2.00)
2.29 m / 90"	2.1 (7.0)	3.5 (11.4)	0.14 – 0.69 (0.45 – 2.25)
2.54 m / 100"	2.4 (7.8)	3.9 (12.7)	0.15 – 0.76 (0.50 – 2.50)
3.05 m / 120"	2.9 (9.4)	4.6 (15.2)	0.18 – 0.91 (0.60 – 3.00)
3.81 m / 150"	3.6 (11.7)	5.8 (19.1)	0.23 – 1.14 (0.75 – 3.75)
5.08 m / 200"	4.8 (15.7)	7.8 (25.4)	0.31 – 1.52 (1.00 – 5.00)
6.35 m / 250"	6.0 (19.6)	9.7 (31.8)	0.38 – 1.91 (1.25 – 6.25)
7.62 m / 300"	7.2 (23.5)	11.6 (38.2)	0.46 – 2.29 (1.50 – 7.50)

**NOTE:**

- The value for L (distance to screen) varies slightly depending on the zoom lens characteristics.
- At the shortest projection distance, the zoom lens characteristics may cause slight image distortion.

**Calculation of the projection distance**

For a screen size different from the above, use the equation below to calculate the projection distance.

Aspect ratio 16:9

minimum  $L (m) = (\text{diagonal screen size in inches}) \times 0.0262 - 0.0295$

maximum  $L (m) = (\text{diagonal screen size in inches}) \times 0.0424 - 0.0272$

Aspect ratio 4:3

minimum  $L (m) = (\text{diagonal screen size in inches}) \times 0.0240 - 0.0295$

maximum  $L (m) = (\text{diagonal screen size in inches}) \times 0.0389 - 0.0272$

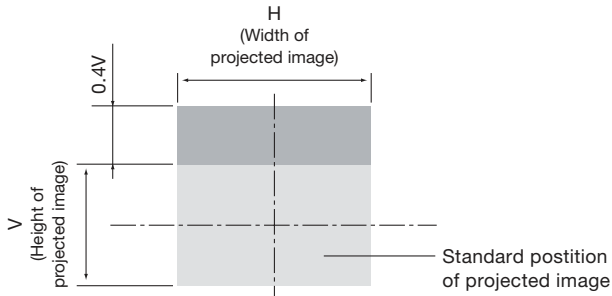
**NOTE:**

Distances calculated with the above equations will include a slight error.

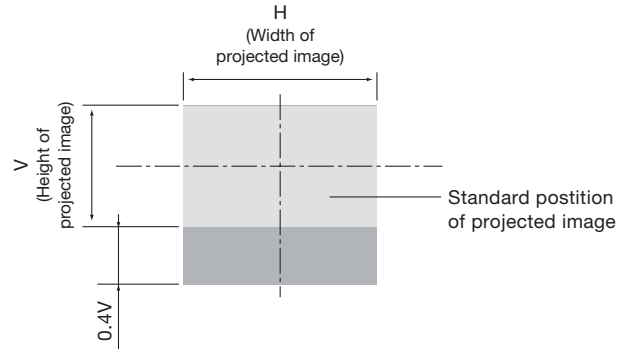
**Shift range**

Optical axis shift function allows to shift the position of a projected image as shown below.

• **Floor mount**



• **Ceiling mount**



**Installable angle**

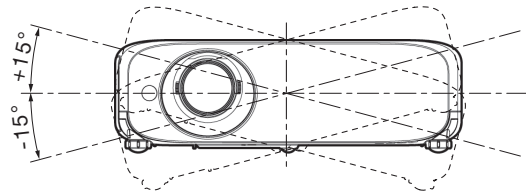
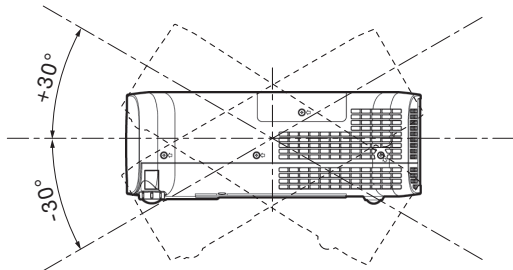
Install the projector at an angle within the range shown below.

• **Vertical direction**

The projector may be installed at a vertical angle of 30°.

• **Horizontal direction**

The projector may be installed at a horizontal angle of 15°.





**List of compatible signals**

The signals that can be input to this projector are shown in the table below. Horizontal scanning frequencies of 15 kHz to 91 kHz, vertical scanning frequencies of 24 Hz to 100 Hz, and a dot clock of 162 MHz maximum can be input.

**NOTE:** The native resolution of this projector is 1,024 x 768 pixels. If the display resolution of the input signal is different from the native resolution, image compression or expansion will be used to convert the input signal to a level within the native resolution.

Display mode	Display resolution (dots)*1	Scanning frequency		Dot clock frequency (MHz)	Format	
		H (kHz)	V (kHz)			
NTSC/NTSC4.43/PAL-M/PAL60	720 x 480i	15.7	59.9	–	VIDEO	
PAL/PAL-N/SECAM	720 x 576i	15.6	50.0	–		
525i (480i)	720 x 480	15.7	59.9	13.5	RGB/YCbCr	
625i (576i)	720 x 576i	15.6	50.0	13.5		
525i (480i)	720 (1440) x 480i*2	15.7	59.9	27.0	HDMI	
625i (576i)	720 (1440) x 576i*2	15.6	50.0	27.0		
525p (480p)	720 x 483	31.5	59.9	27.0	RGB/YPbPr/HDMI	
625p (576p)	720 x 576	31.3	50.0	27.0		
750 (720)/60p	1280 x 720	45.0	60.0	74.3		
750 (720)/50p		37.5	50.0	74.3		
1125 (1080)/60i*3	1920 x 1080i	33.8	60.0	74.3		
1125 (1080)/50i		28.1	50.0	74.3		
1125 (1080)/24p	1920 x 1080	27.0	24.0	74.3		
1125 (1080)/24sF	1920 x 1080i	27.0	48.0	74.3		
1125 (1080)/25p	1920 x 1080	28.1	25.0	74.3		
1125 (1080)/30p		33.8	30.0	74.3		
1125 (1080)/60p		67.5	60.0	148.5		
1125 (1080)/50p		56.3	50.0	148.5		
640 x 400	640 x 400	31.5	70.1	25.2		RGB/HDMI
		37.9	85.1	31.5		
VGA	640 x 480	31.5	59.9	25.2		
		35.0	66.7	30.2		
		37.9	72.8	31.5		
		37.5	75.0	31.5		
		43.3	85.0	36.0		
SVGA	800 x 600	35.2	56.3	36.0		
		37.9	60.3	40.0		
		48.1	72.2	50.0		
		46.9	75.0	49.5		
		53.7	85.1	56.3		
MAC16	832 x 624	49.7	74.6	57.3		
XGA	1024 x 768	39.6	50.0	51.9		
		48.4	60.0	65.0		
		56.5	70.1	75.0		
		60.0	75.0	78.8		
		65.5	81.6	86.0		
		68.7	85.0	94.5		
		81.4	100.0	113.3		
1152 x 864		1152 x 864	53.7	60.0	81.6	
			67.5	74.9	108.0	
			77.1	85.0	119.7	
MAC21	1152 x 870	68.7	75.1	100.0		
1280 x 720	1280 x 720	37.1	50.0	60.5		
		44.8	60.0	74.5		

\*1 The "i" appearing after the resolution indicates an interlaced signal.  
 \*2 Only compatible with dot clock frequency of 27 MHz (pixel repetition signal)  
 \*3 When a 1125 (1035)/60i signal was input, it is displayed as a 1125 (1080)/60i signal.

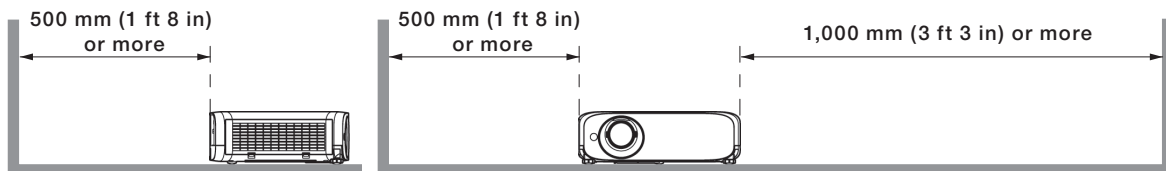
Display mode	Display resolution (dots)*1	Scanning frequency		Dot clock frequency (MHz)	Format
		H (kHz)	V (kHz)		
1280 x 768	1280 x 768	60.3	74.9	102.3	RGB/HDMI
		68.6	84.8	117.5	
1280 x 800	1280 x 800	41.3	50.0	68.0	
		49.7	59.8	83.5	
		62.8	74.9	106.5	
		71.6	84.9	122.5	
1280 x 960	1280 x 960	60.0	60.0	108.0	
SXGA	1280 x 1024	64.0	60.0	108.0	
		80.0	75.0	135.0	
		91.1	85.0	157.5	
1366 x 768	1366 x 768	39.6	49.9	69.0	
		47.7	59.8	85.5	
1400 x 1050	1400 x 1050	65.2	60.0	122.6	
		65.3	60.0	121.8	
		82.2	75.0	156.0	
1440 x 900	1440 x 900	55.9	60.0	106.5	
1600 x 900	1600 x 900	46.3	50.0	97.0	
		55.9	60.0	119.0	
UXGA	1600 x 1200	75.0	60.0	162.0	
1680 x 1050	1680 x 1050	54.1	50.0	119.5	
		65.3	60.0	146.3	
1920 x 1080	1920 x 1080	55.6	49.9	141.5	
	1920 x 1080*2	66.6	59.9	138.5	
	1920 x 1080*3	67.2	60.0	173.0	
WUXGA	1920 x 1200	61.8	49.9	158.3	RGB/HDMI
	1920 x 1200*2	74.0	60.0	154.0	
	1920 x 1200*3	74.6	59.9	193.3	RGB

\*1 The "i" appearing after the resolution indicates an interlaced signal.  
 \*2 Compliant with VESA CVT-RB (Coordinated Video Timing-Reduced Blanking).  
 \*3 The image processing circuit reduces the number of pixels to display images.

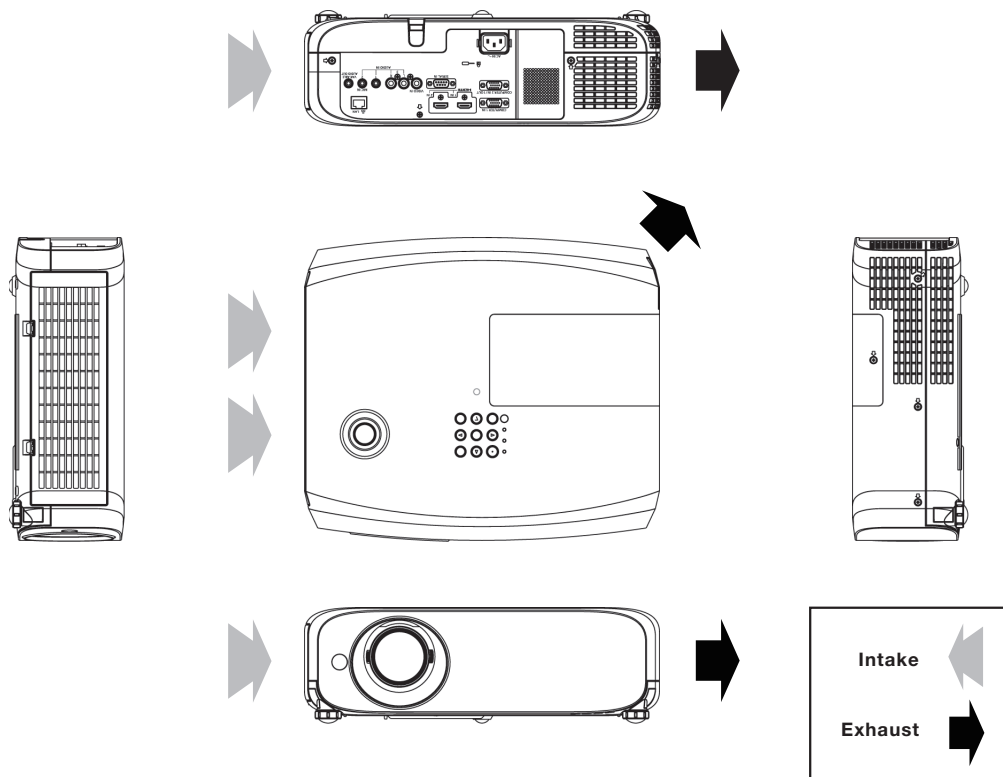
**Notes on projector placement and operation**

The projector uses a high-wattage lamp that becomes very hot during operation. Please observe the following precautions.

1. Never place objects on top of the projector while it is operating.
2. Make sure there is the unobstructed space as shown below or more around the projector's exhaust openings. In addition to this space, also ensure that there is a sufficient work space for removing and installing the lamp, filter and other parts.
3. Make sure that nothing blocks the projector's air intake and exhaust openings. Also, install the projector so that cool or hot air from other air conditioning equipment does not flow directly toward the projector's air intake or exhaust openings.
4. Do not install the projector in an enclosed space. If it is necessary to install it in an enclosed space, add a separate ventilation system. If ventilation is insufficient, hot air will accumulate at the intake opening. This may cause the projector's protective circuit to interrupt projector operation.



**Direction of air intake and exhaust**



**Operating the projector continuously**

1. If the projector is to be operated continuously 12 hours or more, lamp replacement cycle duration becomes shorter.
2. The lamp replacement cycle duration becomes shorter if the projector is operated repeatedly for short periods (one hour or less).

Weights and dimensions shown are approximate. Specifications and appearance are subject to change without notice.  
Product availability differs depending on region and country. This product may be subject to export control regulations.

HDMI, the HDMI logo and High-Definition Multimedia Interface are trademarks or registered trademarks of HDMI Licensing LLC in the United States and other countries.  
PJLink is a registered trademark, or a trademark application has been filed, in Japan, the United States, and other countries and regions.  
All other trademarks are the property of their respective trademark owners.