

VLF Series

Versatile Low Frequency Systems

Models:

VLF208LV-BI

VLF208LV-WI

VLF208LV-BP



Operation Manual



TABLE OF CONTENTS

INTRODUCTION	3
IMPORTANT SAFETY INFORMATION	4
UNPACKING AND INSPECTION.....	4
VLF208LV SPECIFICATIONS	6
HIGH-PASS FILTERS	6
CONNECTING THE AMPLIFIER TO THE LOUDSPEAKER.....	7
PIN DESIGNATIONS	7
WIRING NEUTRIK TYPE CONNECTORS	8
RIGGING / SUSPENSION AND SAFETY	8
VLF-SAB STEERED ARRAY BRACKET	9
DIMENSIONAL DRAWINGS.....	10
WARRANTY INFORMATION AND SERVICE	11

TABLE OF FIGURES

Figure No.	Title	Page
Figure 1:	Physical Features of a VLF208LV-I (Black or White Install Model)	5
Figure 2:	Physical Features of a VLF208LV-BP (Black, Portable Model)	5
Figure 3:	VLF208LV Input Panel and Product Label	7
Figure 4:	Single Amp Connections	8
Figure 5:	VLF-SAB Steered Array Bracket with VLF208LV	9
Figure 6:	VLF208LV-BI, -WI Dimensions	10
Figure 7:	VLF208LV-BP Dimensions	10

EC STATEMENT OF CONFORMITY

This document confirms that the range of products of Community Professional Loudspeakers bearing the CE label meet all of the requirements in the EMC directive 89/336/EEC laid down by the Member States Council for adjustment of legal requirements. Furthermore, the products comply with the rules and regulations referring to the electromagnetic compatibility of devices from 30-August-1995.

The Community Professional Loudspeaker products bearing the CE label comply with the following harmonized or national standards:

DIN EN 55013:08-1991

DIN EN 55020:05-1995

DIN EN 55082-1:03-1993

The authorized declaration and compatibility certification resides with the manufacturer and can be viewed upon request. The responsible manufacturer is the company:

Community Light & Sound
333 East 5th Street
Chester, PA 19013
USA

TEL: 1-610 876-3400
FAX: 1-610 874-0190

Chester, PA USA September 2011

VLF208LV OPERATION MANUAL

Notice: Every effort has been made to insure that the information contained in this manual was complete and accurate at the time of printing. However, due to ongoing technical advances, changes or modifications may have occurred that are not covered in this manual.

INTRODUCTION

Thank you for selecting Community's **Versatile Low Frequency (VLF) Series**. VLF is a family of powerful and innovative low frequency subwoofers designed for demanding day-to-day use in a wide range of fixed and portable installations. Their high quality driver components are housed in rugged, acoustically inert enclosures equipped with rigging fittings.

This manual covers the **VLF208LV** compact dual 8-inch direct-radiating subwoofer. It is designed for applications that require the lowest frequencies from a slim profile design. With a birch-ply enclosure measuring just 10 x 21.75 x 21.75 inches, a frequency response down to 40 Hz (-3dB) and an operating range to 30 Hz (-10dB), the 1000W program VLF208LV stunningly delivers low end power. Its low velocity port design extends the response while eliminating air noise through the heavy duty 16-gauge steel perforated grille.

The VLF208LV is available in both portable and installation versions. The portable version includes a built-in handle and pole mount socket, while the black and white installation models incorporate multiple M10 hang points.

The VLF208LV subwoofer offers numerous features and advances in technology. Some of these include:

- Slim profile design with small footprint
- Designed to work as a traditional subwoofer or in steered bass arrays
- Heavy duty 16-gauge steel perforated grille
- Portable model VLF208LV-BP includes pole mount socket, built-in Ergo-Grip™ handle, rubber feet, and four foot recesses on the top of the cabinet
- Load-rated threaded rigging fittings for safe & easy rigging
- NL4-compatible locking connector with terminal strip for easy connectivity
- Suitable for in-wall, under-seating, under-stage and other "hidden" LF applications
- Optional factory designed steered array mounting bracket available from stock
- Available in black or white finish at no additional cost

VLF Family



IMPORTANT SAFETY INFORMATION

Always follow these basic safety precautions when using or installing VLF loudspeakers and accessories:

- Read these instructions.
- Keep these instructions.
- Heed all warnings.
- Follow all instructions, particularly those pertaining to rigging, mounting, hanging and electrical connections.
- Only use accessories that are specified and approved by the manufacturer.

The terms **CAUTION**, **WARNING**, and **DANGER** are used throughout this manual to alert the reader to important safety considerations. If you have any questions or do not understand the meaning of these terms, do not proceed with installation. Contact your local dealer, distributor, or call Community directly for assistance. These terms are defined below:



CAUTION: describes an operating condition or user action that may expose the equipment or user to potential damage or danger.

WARNING: describes an operating condition or user action that will likely cause damage to the equipment or injury to the user or to others in the vicinity.

DANGER: describes an operating condition or user action that will immediately damage the equipment and/or be extremely dangerous or life threatening to the user or to others in the vicinity.

The loudspeakers described in this manual are designed to be 'flown' or suspended for maximum acoustical performance using a variety of rigging hardware, means, and methods in some applications. It is essential that all installation work involving the suspension of these loudspeaker products be performed by competent, knowledgeable persons who understand safe rigging practices. Severe injury and/or loss of life may occur if these products are improperly installed. Please read the section on rigging for additional information.

UNPACKING AND INSPECTION

VLF208LV loudspeakers are inherently rugged and are carefully packed in sturdy cartons. However, it is wise to thoroughly inspect each unit after it has been removed from the packaging, as damage could occur during shipping.

Please note that once the shipment has left your dealer or the Community factory, the responsibility for damage is *always* borne by the freight company. If damage has occurred during shipping, you must file a claim directly with the freight company. It's very important to contact the freight company as soon as possible after receiving your shipment, as most freight companies have a short time limit within which they will investigate claims. Make sure to save the carton and the packing material, as most claims will be denied if these materials are not retained. Your Community dealer and the factory will try to help in any way they can, but it is the responsibility of the party receiving the shipment to file the damage claim.

It's always a good idea to retain the carton and packing materials indefinitely, if possible, in the event that the unit may need to be returned to your dealer or distributor for repair in the future.

Each shipping carton contains the following items:

- VLF208LV Loudspeaker System (Qty 1)
- Installation and Operation Manual (Qty 1)
- Warranty Card (Qty 1)



DANGER: VLF208LV rigging fittings are rated at a Working Load Limit (WLL) of 100 lbs (45.4kg) with a 10:1 safety margin. No single rigging fitting should ever be subjected to a load that is greater than this stated limit. Failure to heed this warning could result in injury or even death!



IMPORTANT: The flat-head Allen-drive rigging screws that come installed in each enclosure must either be replaced with rigging brackets and threaded fasteners, or they must be kept in place to seal the enclosure from air leaks. If the rigging fittings do not remain sealed, air leaks will occur in the enclosure that will compromise the low-frequency performance with distortion and reduced output.

Figure 1: Physical Features of a VLF208LV-I (Black or White Install Model)

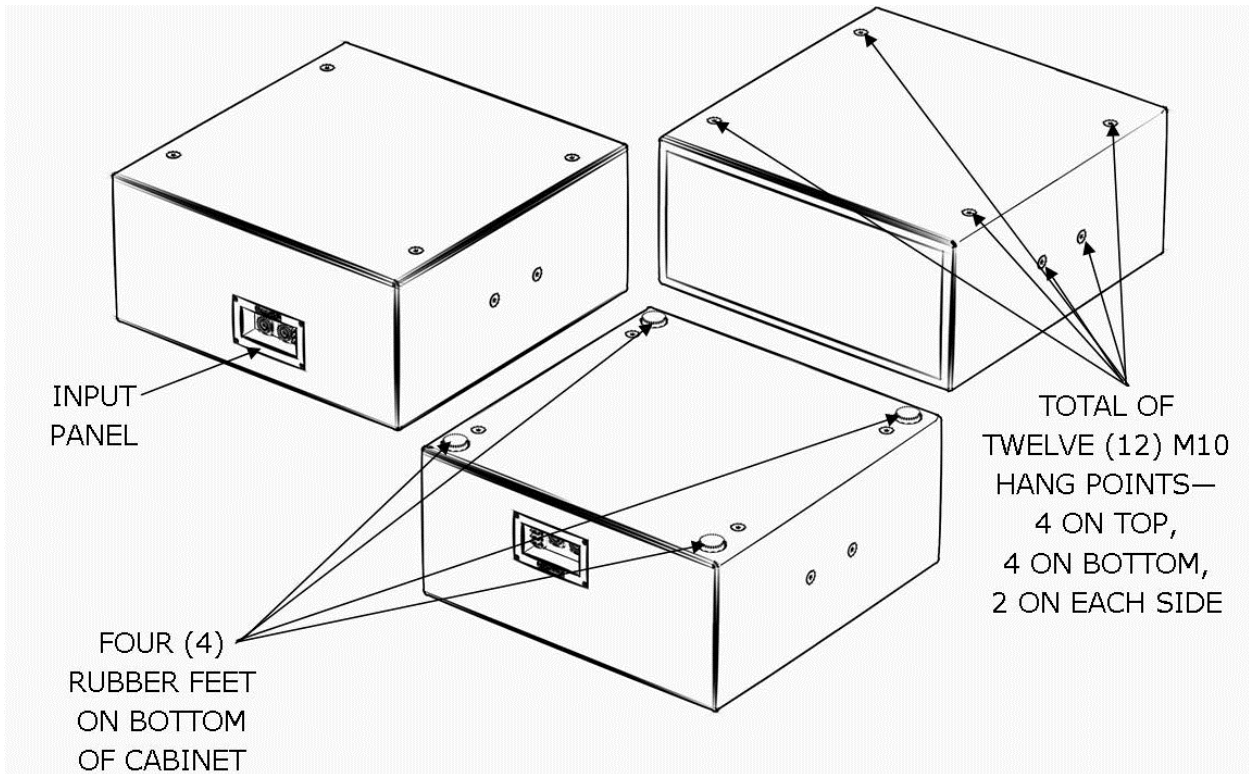
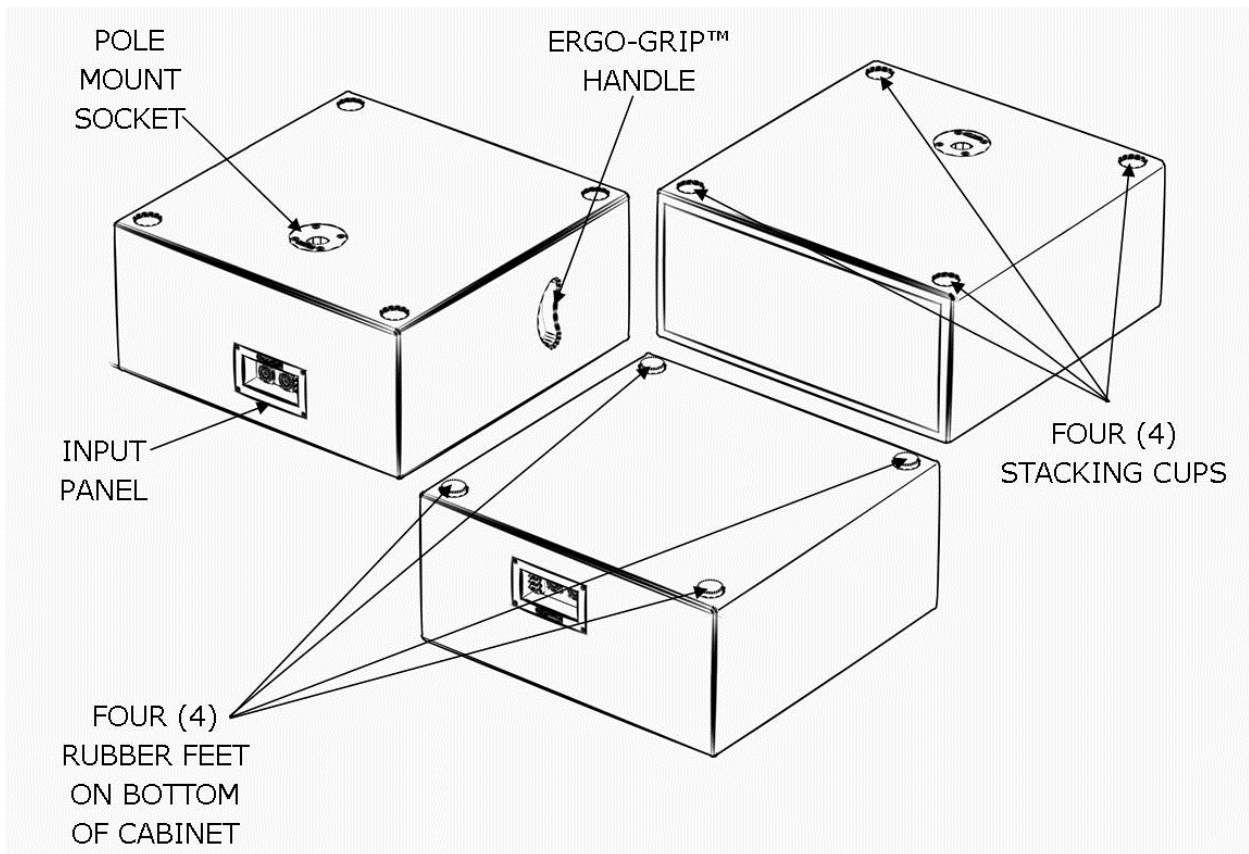


Figure 2: Physical Features of a VLF208LV-BP (Black, Portable Model)



VLF208LV SPECIFICATIONS

Model	VLF208LV-I	VLF208LV-BP
Loudspeaker Type	Compact, direct-radiating subwoofer	Compact, direct-radiating subwoofer
Driver Complement	LF: 2 x 8"	LF: 2 x 8"
Operating Range	30 Hz – 1000 Hz	30 Hz – 1000 Hz
Frequency Response	40 Hz – 200 Hz (±3dB)	40 Hz – 200 Hz (±3dB)
Input Ratings	400W RMS 1000W PGM	400W RMS 1000W PGM
Sensitivity 1W/1m	93 dB	93 dB
Maximum SPL Continuous Peak	119 dB SPL / 126 dB SPL (peak)	119 dB SPL / 126 dB SPL (peak)
Nominal Impedance	4 ohms	4 ohms
Input Connection	(2) NL4-compatible locking connector (1) 2 conductor barrier strip	(2) NL4-compatible locking connector (1) 2 conductor barrier strip
Rigging Provisions	(12) M10 hang points	None
Handles	None	(1) Built-in Ergo-Grip™ handle
Construction	11-ply cross laminated birch	11-ply cross laminated birch
Finish	Black or white paint finish	Black or white paint finish
Height	10.2 in / 260 mm (including feet)	10.2 in / 260 mm (including feet)
Width	21.75 in / 552 mm	21.75 in / 552 mm
Depth	21.75 in / 552 mm	21.75 in / 552 mm
Net Weight	48 lbs / 21.8 kg	48 lbs / 21.8 kg

Due to ongoing development, specifications are subject to change without notice.

HIGH-PASS FILTERS

The use of an external, active high-pass filter to protect the cone drivers from excessive low-frequency excursion is strongly encouraged. A high-pass filter will eliminate the potential of low-frequency modulation from wind noise, turntable rumble, stage vibration, and other causes that result in a poorly defined and 'muddy' bass response. Additionally, a high-pass filter will avoid wasting amplifier power by keeping the amplifier from attempting to reproduce frequencies below the loudspeaker's intended operating range. The table below shows the recommended filter settings:

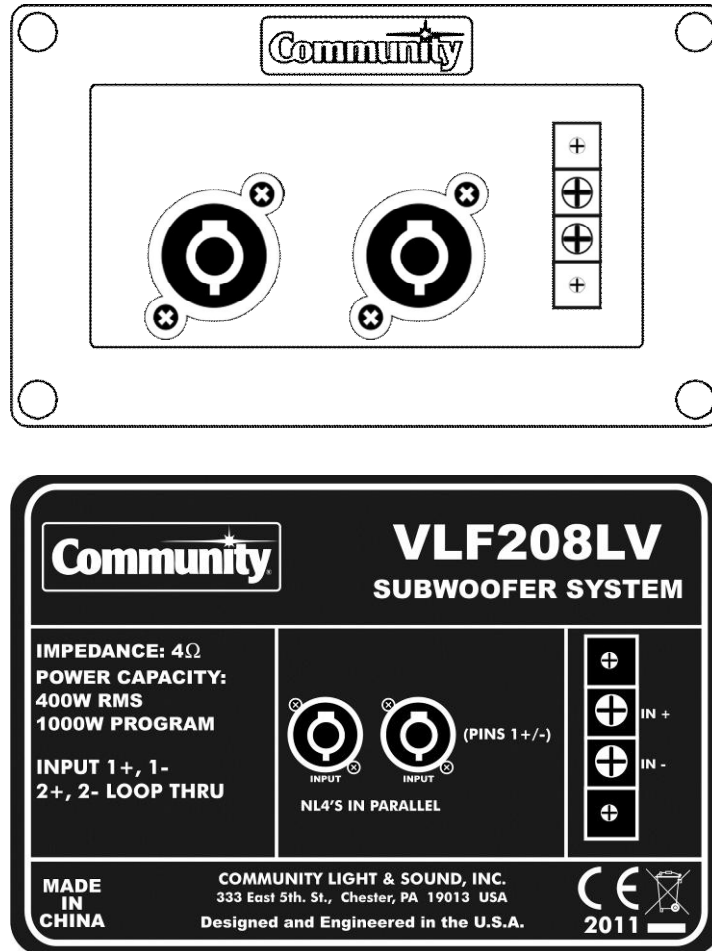
Model	High-Pass Filter
VLF208LV-BI Subwoofer:	40 Hz, 24 dB/octave
VLF208LV-WI Subwoofer:	40 Hz, 24 dB/octave
VLF208LV-BP Subwoofer:	40 Hz, 24 dB/octave

CONNECTING THE AMPLIFIER TO THE LOUDSPEAKER

The VLF208LV comes with two methods of connecting the amplifier to the loudspeaker. One is an industry standard NL4 type locking connector, and the other is a terminal strip. These two connectors are wired in parallel with each other, on all models.

Figure 3: VLF208LV Input Panel and Product Label

The loudspeaker is intended to be connected directly to the amplifier.



PIN DESIGNATIONS

For all models the pin designation is as follows:

NL4 Pin 1+ or the terminal screw labeled (+) connect to the positive (red) output of the amplifier.

NL4 Pin 1- or the terminal screw labeled (-) connect to the negative (black) output of the amplifier.

Note that the NL4 and the terminal strip are wired in parallel, and that Pins 2+ and 2- on the NL4 connector are not utilized.

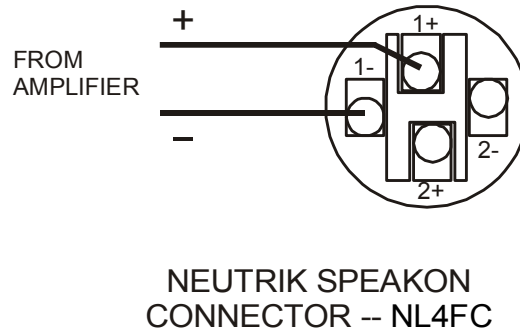


CAUTION: Be sure to carefully observe polarity when wiring your loudspeakers. If one loudspeaker is wired with the opposite polarity from another loudspeaker, acoustic cancellation will occur. The result will be less acoustic power output than if only one loudspeaker were used by itself.

WIRING NEUTRIK TYPE CONNECTORS

The diagrams below show how connections are made to a Neutrik Speakon™ style loudspeaker connector. Terminations may be soldered, or made by means of their built-in screw and pressure clamp. If using the pressure clamp, it's important to tighten it fully, then to wait about ten minutes (longer is better), then to tighten it again. This is because copper wire *flows* under pressure. After initially tightening the screw clamp, some minutes later the screw will no longer be as tight due to the effect of the compression on the copper. Typically, only one cycle of "tighten – wait – re-tighten" is required for a secure connection.

Figure 4: Single Amp Connections



DANGER: When wiring the amplifier(s) to the loudspeaker(s), always power-down the amplifier(s) and disconnect their AC Mains plug(s). Many modern, high power amplifiers can deliver enough voltage and current to cause a harmful or lethal electric shock. Shocks from very low frequencies, such as kick drums, can cause the human heart to stop beating at relatively low power levels.



WARNING: After wiring the amplifier(s) to the loudspeaker(s), first power up all devices that are upstream of the amplifier, such as mixers, equalizers, compressor/limiters, etc., **before** powering-up the amplifier. This is to avoid passing any clicks or pops that may originate in the upstream devices to the loudspeakers. The amplifier should initially be powered-up with its gain controls turned all the way down. After making sure that a continuous signal is present, such as a CD playing, slowly raise the level of the gain controls to establish that the wiring has been installed correctly. Only then should the loudspeaker be operated at normal output levels.

The VLF208LV-BI, VLF208LV-WI and VLF208LV-BP have two (2) NL4-compatible locking connectors.

RIGGING / SUSPENSION AND SAFETY

The terms "rigging", "flying" and "suspension" are often used interchangeably in describing methods of installing loudspeaker systems at elevated positions.



DANGER: Some of the loudspeakers described in this manual are designed and intended to be suspended using a variety of rigging hardware, means, and methods. It is essential that all installation work involving the suspension of these loudspeaker products be performed by competent, knowledgeable persons who understand safe rigging practices. Severe injury and/or loss of life may occur if these products are improperly suspended.



DANGER: All rigging fittings must remain sealed with the included flat-head allen screws or they must be fitted with properly rated optional mounting hardware. Any missing fasteners will compromise the structural integrity of the enclosure and constitute a safety hazard. Do not suspend this loudspeaker unless all fasteners are securely in place!

COMMUNITY RIGGING HARDWARE WARRANTY: Community warrants that its loudspeaker systems and its optional mounting and rigging hardware have been carefully designed and tested. Community loudspeakers may be safely suspended when each loudspeaker model is suspended with Community-manufactured optional mounting and rigging brackets specifically designed for use with that particular model of loudspeaker. This warranty applies only

for use under normal environmental conditions, and when all loudspeakers, component parts, brackets and hardware are assembled and installed in strict accordance with Community's installation guidelines contained herein. Beyond this, Community assumes no further or extended responsibility or liability, in any way or by any means whatsoever. It is the responsibility of the installer to insure that safe installation practices are followed, and that such practices are in accordance with any and all local, state, federal, or other, codes, conditions, and regulations that may apply to, or govern the practice of, rigging, mounting, and construction work in the relevant geographic territory. Any modifications made to any parts or materials manufactured or supplied by Community shall immediately void all pledges of warranty or surety, related in any way to the safe use of those parts and materials.



WARNING - NON-COMMUNITY RIGGING HARDWARE: Non-Community hardware used for rigging a VLF208LV loudspeaker must be certified by the supplier for this use and must be properly rated for safety.

Important Notes on Rigging Loudspeakers

There are three areas of responsibility for rigging loudspeakers. The first is the building structure. Always consult with the building architect or structural engineer to assure the ability of the structure to support the loudspeaker system. The second area of responsibility is the loudspeaker itself. Community certifies its loudspeaker systems and rigging accessories for suspension when they are properly installed according to our published guidelines. The third area of responsibility is everything between the loudspeaker and the building structure and the actual process of installation. The installing contractor assumes this responsibility. Loudspeaker rigging should be performed only by certified rigging professionals using certified rigging hardware chosen for the specific application. Prior to installation, the contractor should present a rigging plan, with drawing and detailed parts list, to a licensed structural engineer (P.E.) or architect for written approval.

VLF-SAB STEERED ARRAY BRACKET

The **VLF Steered Array Bracket** enables the construction of cardioid bass arrays, steered bass arrays, or vertical bass columns of compact VLF Series subwoofers, or combinations thereof. Designated the **VLF-SAB**, it is intended for use only with the VLF208, VLF212 and/or VLF208LV subwoofer systems, which share a common width of 21.75 inches. For more information, consult the VLF-SAB user's guide for detailed safety instructions. It is the responsibility of the installer to insure that safe installation practices are followed. Installation of loudspeakers should only be performed by trained and qualified personnel. It is strongly recommended that a licensed and certified professional structural engineer approve the mounting design.

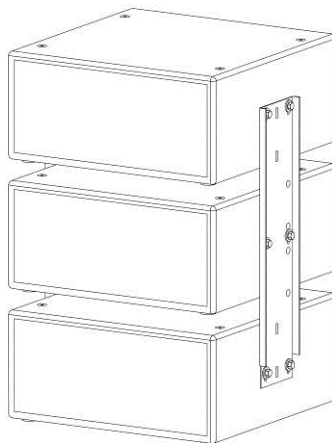


IMPORTANT: All rigging fittings should remain sealed, otherwise air leaks will occur in the enclosure that can compromise the low-frequency performance with distortion and reduced output.



WARNING: VLF rigging fittings are rated at a Working Load Limit of 100 lbs (45.4kg) with a 10:1 safety margin. No single rigging fitting should ever be subjected to a load that is greater than 100 lbs. Failure to heed this warning could result in injury or death!

Figure 5: VLF-SAB Steered Array Bracket with VLF208LV



DIMENSIONAL DRAWINGS

Figure 6: VLF208LV-BI, -WI Dimensions

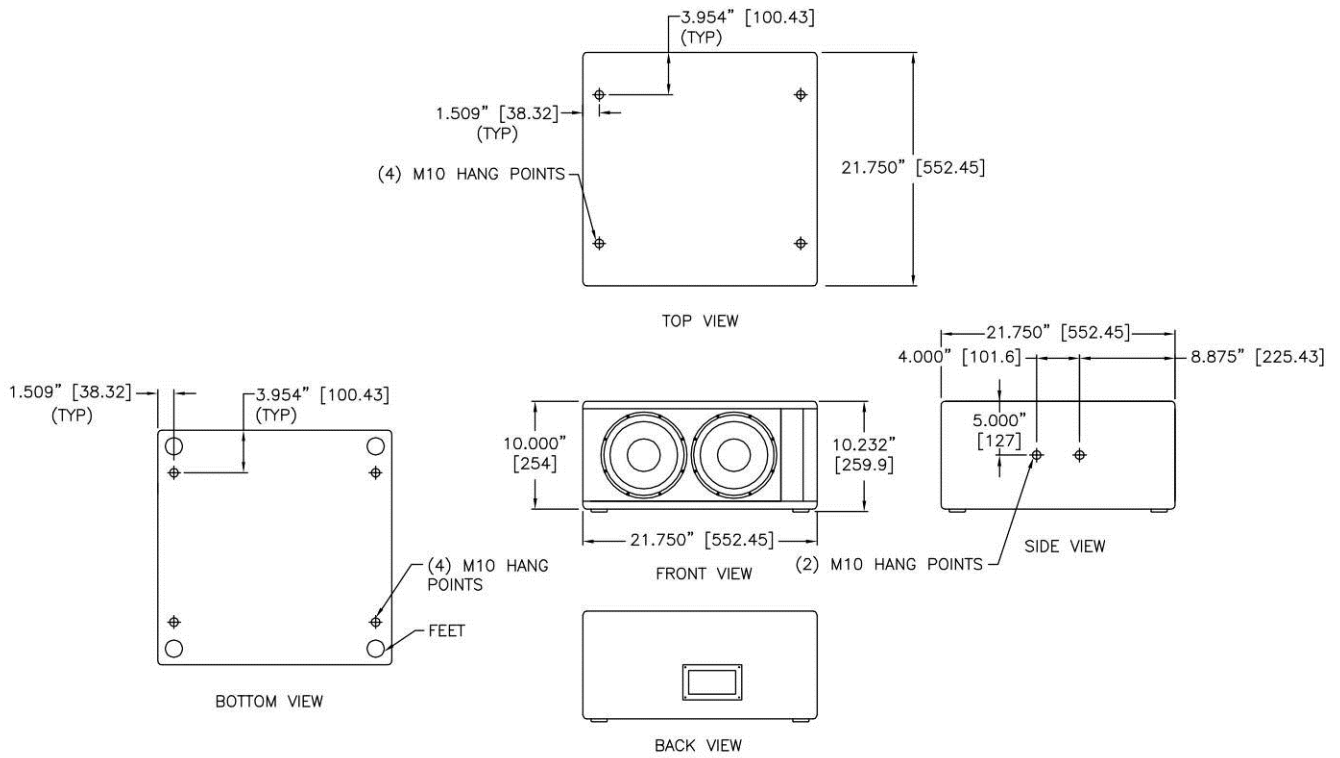
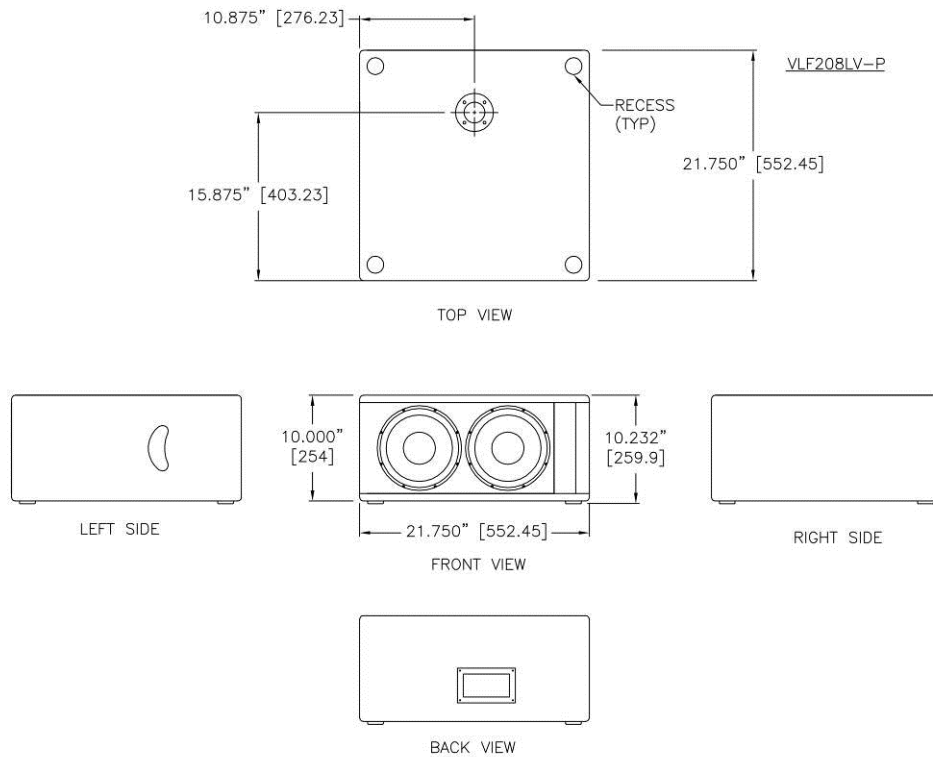


Figure 7: VLF208LV-BP Dimensions



WARRANTY INFORMATION AND SERVICE

Transferable Warranty "(Limited)" Valid in the USA Only

Community loudspeaker systems are warranted in the USA to be free from manufacturing defects in materials and workmanship for a period of five years, as determined by one of the following two methods, whichever is longer:

Starting from the date of retail purchase, as noted on the sales receipt from an authorized Community dealer,

OR

Starting from the date of manufacture, determined by the serial number, if the sales receipt is not available.

This warranty applies to the product; therefore, the remainder of the warranty period will be automatically transferred to any subsequent owner.

This warranty applies only to failure of a Community loudspeaker caused by defects in materials and workmanship during the stated warranty period. It does not apply to a unit that has been subjected to abuse, accident, modification, improper handling/installation, or repairs made without factory authorization or by anyone other than authorized Community Field Service Stations. This warranty is void if the serial number has been defaced, altered or removed.

Products covered by this warranty will be repaired or replaced at the option of Community, without charge for materials or labor, provided all the terms of this warranty have been met.

Obtaining Warranty Service

Warranty service may be obtained from the factory, or from an authorized Field Service Station.

To obtain factory or field warranty service for products purchased in the United States, return the product for inspection to the address below, freight prepaid, in the original packaging. If the original packaging is not available, call or write Community Warranty Service to obtain proper packaging materials or hand carry the product to the nearest Field Service Station.

Factory Service Center:
Community Warranty Service
333 East Fifth Street
Chester, PA 19013-4511 USA

Field Service Station:
Call (610) 876-3400 for the nearest Authorized
Field Service Station

For factory service, please call (610) 876-3400 for a Return Authorization (R/A) number before shipping. The following information must be included in the package:

Owner's complete name, daytime phone number, return street address and return authorization number.

The serial number of the product being returned and a copy of the retail sales receipt, if possible.

A complete description of the problem(s) experienced, including a brief description of how the equipment is being used and with what brand, model and output power of amplifier.

Upon receipt, the service center will determine if the problem is covered under warranty. If covered under this warranty, the product will be repaired or replaced, at Community's option, and returned to the owner freight prepaid. If the problem is not covered under this warranty, the owner will be notified of the problem with an estimate of the repair costs.

Consequential and Incidental Damages: Community shall not be liable for any consequential or incidental damages including, without limitation, injury to persons, property, or loss of use. Some states do not allow the exclusion or limitations of consequential or incidental damages, so the above limitations and exclusions may not apply.

This Community warranty is not extended by the length of time which an owner is deprived of the use of the product. Repairs and replacement parts provided under the terms of this warranty shall carry only the remaining portion of the warranty.

Community reserves the right to change the design of any product from time to time, without notice and with no obligation to make corresponding changes in products previously manufactured.

While this warranty gives specific legal rights, there may also be other rights that vary from state to state. No action to enforce this warranty shall be permitted ninety days after expiration of the warranty period.

Warranty Information and Service for Countries Other Than the USA

To obtain specific warranty information and available service locations for countries other than the United States of America, contact the authorized Community Distributor for your specific country or region.



Community Professional Loudspeakers
333 East Fifth Street, Chester, PA 19013-4511 USA
Tel: 1-(610) 876-3400 | Fax: 1-(610) 874-0190
www.communitypro.com

© 2011 All Rights Reserved
6OCT2011