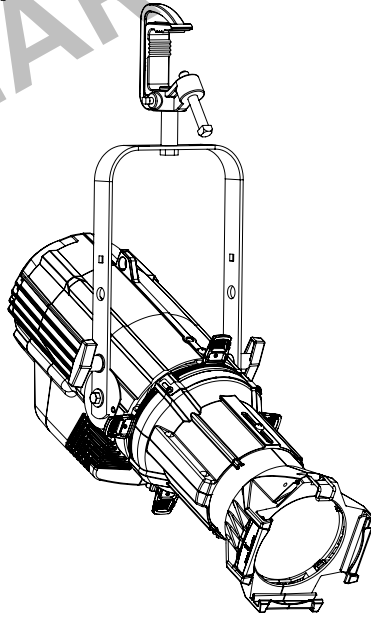




100V 115/120V 230/240V

Source Four LED Series



GENERAL INFORMATION

The **Source Four LED Series 2** is the evolution of LED lighting. While it may look the same on the outside, the Series 2 offers even more of what makes the Source Four LED the best LED profile available. With optimized arrays and finely-tuned electronics, the Series 2 offers a combination of light quality and output that cannot be matched.

Source Four LED Series 2 Lustr® luminaires are based on the x7 Color System™, utilizing seven colors including high-output lime to achieve true, usable broad-spectrum color with a depth and feel beyond any RGB fixture.

Source Four LED Series 2 Daylight HD and Tungsten HD arrays are designed for broadcast lighting, offering flicker-free operation and high-definition lighting. With a new mix of LED emitters, the luminaires' output is significantly brighter than the original Source Four LED white-light arrays. The Daylight HD array produces variable-cool white (4000 to 6500K) light that imitates natural daylight. The Tungsten HD array matches conventional tungsten lighting, with adjustable warm-white (2700 to 4500K) light. They offer tint control, so they can be tweaked to perfectly illuminate individual skin tones.

Series 2 light engines work with all Source Four lens tubes to deliver a high-quality, controllable beam of LED light. For the best results, it is highly recommended that EDLT versions are used. We also offer a special LED-only version of the 50° lens tube.

ORDERING INFORMATION

Source Four LED Series 2 Light Engine with Shutter Barrel

(For use with fixed-field lens tubes only)

MODEL	DESCRIPTION
S4LEDS2LS-0	Source Four LED Series 2 Lustr with shutter barrel, black
S4LEDS2THDS-0	Source Four LED Series 2 Tungsten HD with shutter barrel, black
S4LEDS2DHDS-0	Source Four LED Series 2 Daylight HD with shutter barrel, black

Source Four LED Series 2 Light Engine Body

(For use with zoom lens tubes and retrofit of existing fixtures)

MODEL	DESCRIPTION
S4LEDS2L-0	Source Four LED Series 2 Lustr, body only, black
S4LEDS2THD-0	Source Four LED Series 2 Tungsten HD, body only, black
S4LEDS2DHD-0	Source Four LED Series 2 Daylight HD, body only, black

Color options: -1 = white, -5 = silver gray/custom colors

Fixture ships with a soft-focus diffuser in a gobo holder and a 1.5m PowerCON™ power-input cable with a connector of choice. See page 2 for connector options.

Please note: Lens tubes to be ordered separately.

SPECIFICATIONS

GENERAL

- 60-LED array
- ETL listed to UL1573 – the standard for stage and studio lighting units
- IP20-rated for indoor use
- Power and DMX in/thru connections for easy setup
- User-friendly control interface with multiple modes and fixture settings

PHYSICAL

- Rugged die-cast all-metal housing
- Available in black (standard), white or silver gray or custom colors (contact factory)
- C-clamp
- Positive-locking double-clutch fixture body
- Slot for glass or stainless steel patterns and soft-focus diffuser
- Wide accessory slot with sliding cover for motorized pattern devices or optional iris
- Hanging yoke standard. Optional yoke/floor-stand available

ELECTRICAL

- 100VAC to 240VAC 50/60Hz universal power input
- Neutrik power in and thru connections
- Up to nine Lustr or seven Daylight HD/Tungsten HD luminaires (15A max) may be linked via power thru connector (10 Lustr or 8 Daylight HD/Tungsten HD fixtures total per circuit) when used with R20 Relay Module or Unison® Echo™ Relay Panel
 - Consult breaker-trip curves when used with other equipment. Requires power from a non-dim source
- Inrush
 - 120V: 50A (First half-cycle)
 - 240V: 107A (First half-cycle)

LED*

- 20,000-hour LED life (20,000 hours to 70% intensity)
- 60 Luxeon® Rebel LED emitters

*See additional LED notes on page four

COLOR

- Exclusive x7 Color System seven-color LED array (Lustr)
- Selection from the x7 Color System to provide high quality, variable-white light
 - Tungsten HD (2700K-4000K)
 - Daylight HD (4000K-6500K)
- Beautifully illuminates skin tones and other objects for natural appearance and high color rendering
- Broad-spectrum color interacts seamlessly with conventional sources
- Exclusive optional red-shift option emulates tungsten dimming performance

OPTICAL

- Use the included soft-focus diffuser for creating washes or soft light
- Best performance using ETC's EDLT lens tubes
- Can use all ETC Source Four interchangeable lens barrels: 5°, 10°, 14°, 19°, 26°, 36°, 50°, 70°, and 90° field angles, as well as 19°, 26°, 36°, and 50° EDLT lenses
- For better performance, use the LED 50° barrel

CONTROL

- DMX512 in and thru via five-pin XLR connectors
- Multiple control options, including RGB, strobe, and console-free Master/Slave mode
- See DMX Control Table for additional information

SPECIFICATIONS

CONTROL

- 15-bit virtual dimming engine provides smooth, high-quality theatrical fades and minimizes color shift during dimming
- RDM functionality for address and setting changes

THERMAL

- Ambient operating temperature of 32° to 104°F (0° to 40°C)
- Active electronic thermal management for droop-free operation
- Quiet fan cooling
- Fixture is designed for continuous operation up to 104°F (40°C) ambient temperature and requires free flow of air around fixture housing

ADDITIONAL ORDERING INFORMATION

Power Input Cables

Use information below to order 5' power input leads with factory-fitted connectors

MODEL	DESCRIPTION
DPA-A	5' PowerCon to parallel blade U-ground (Edison) connector
DPA-B	5' PowerCon to 20A two-pin and ground (stage pin) connector
DPA-C	5' PowerCon to grounded 20A twistlock connector
DPA-X	5' PowerCon to bare-end power input lead

Power Thru Jumpers

Note: Power thru jumpers connect to fixture's output (thru) connector to provide link to successive fixtures

MODEL	DESCRIPTION
DPJ-5	5' PowerCon-to-PowerCon fixture-to-fixture jumper
DPJ-10	10' PowerCon-to-PowerCon fixture-to-fixture jumper

Diffusers

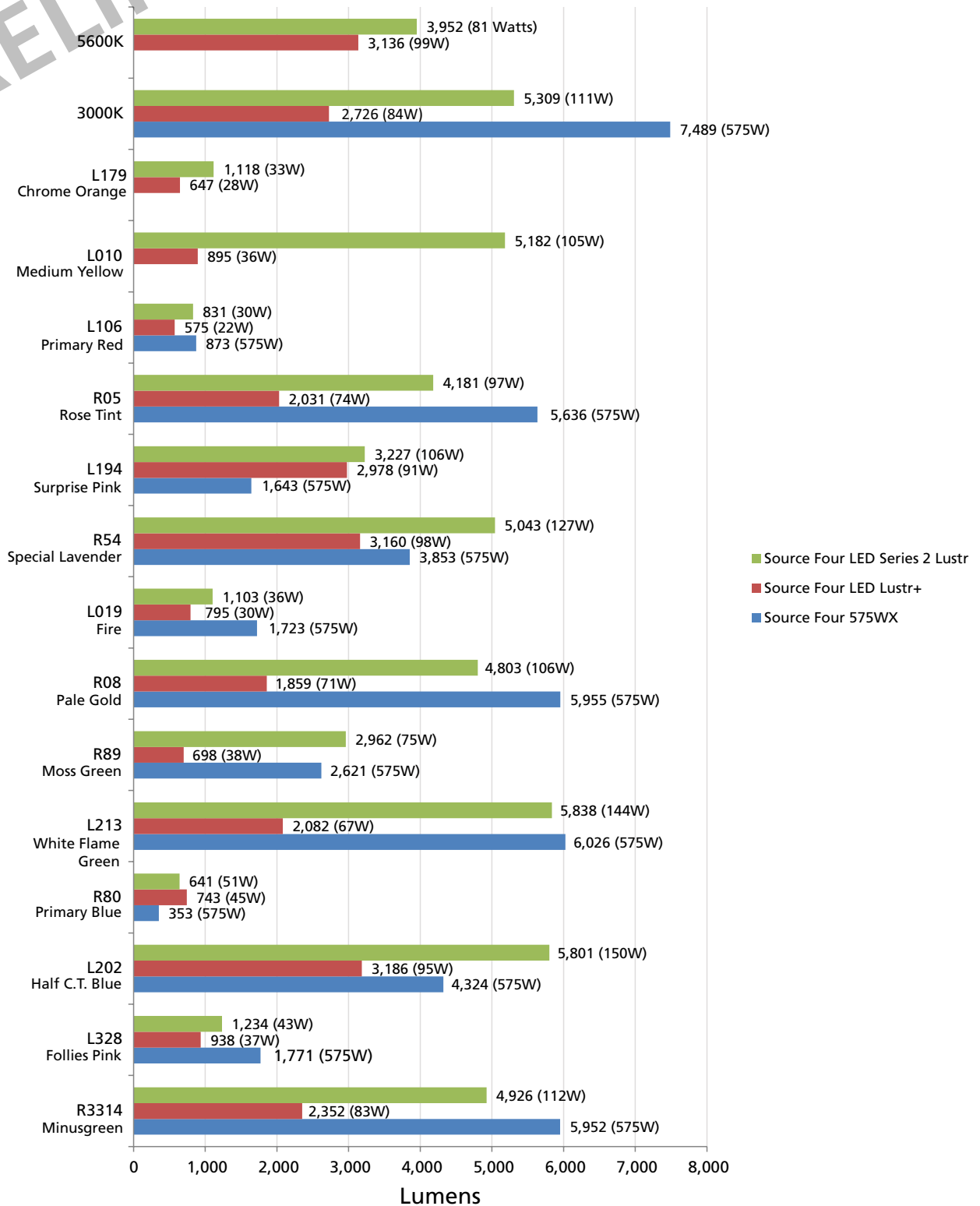
MODEL	DESCRIPTION
S4LED-SFD	Source Four LED - Soft Focus Diffuser (included)
S4LED-SWD6	Source Four LED - Smooth Wash Diffuser for 6.25" gel frame slots
S4LED-SWD7	Source Four LED - Smooth Wash Diffuser for 7.5" gel frame slots
S4LED-SWD12	Source Four LED - Smooth Wash Diffuser for 10° lens tubes
S4LED-SWD14	Source Four LED - Smooth Wash Diffuser for 5° lens tubes

The Soft Focus Diffuser fits into a standard A-Size pattern holder and delivers beautiful homogenized light when not in sharp focus. Also, use with patterns for dappled and soft-edge projections.

The Smooth Wash Diffuser is used when extra-smooth blending of multiple Source Four LED fixtures is required. The smooth wash diffuser is placed into the gel-frame slot of the lens tube.

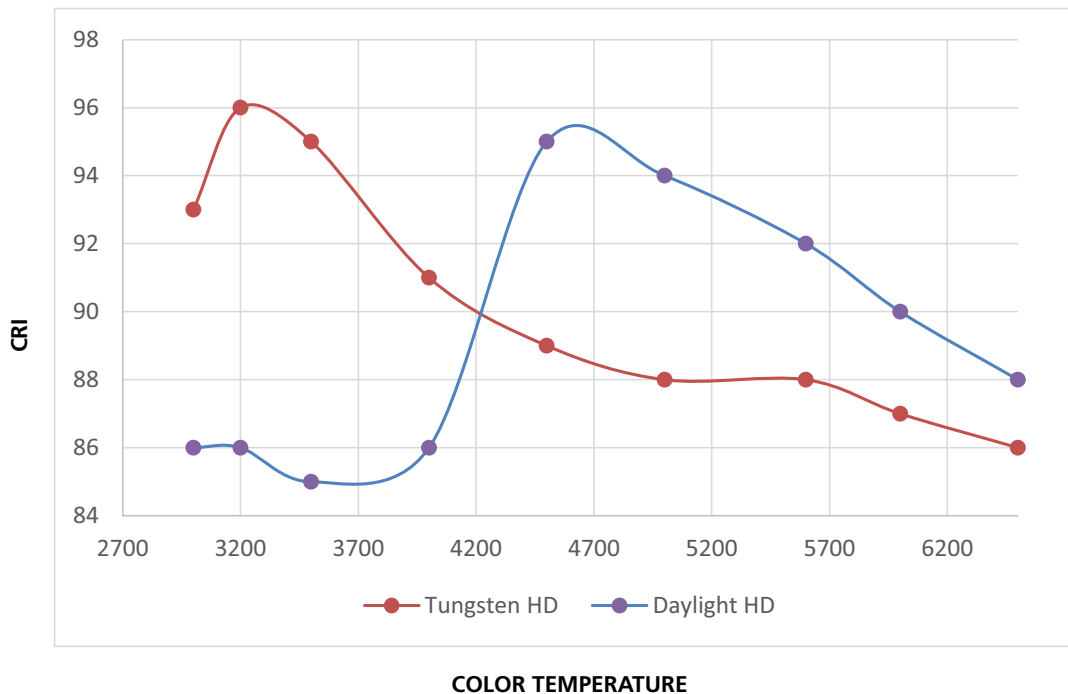
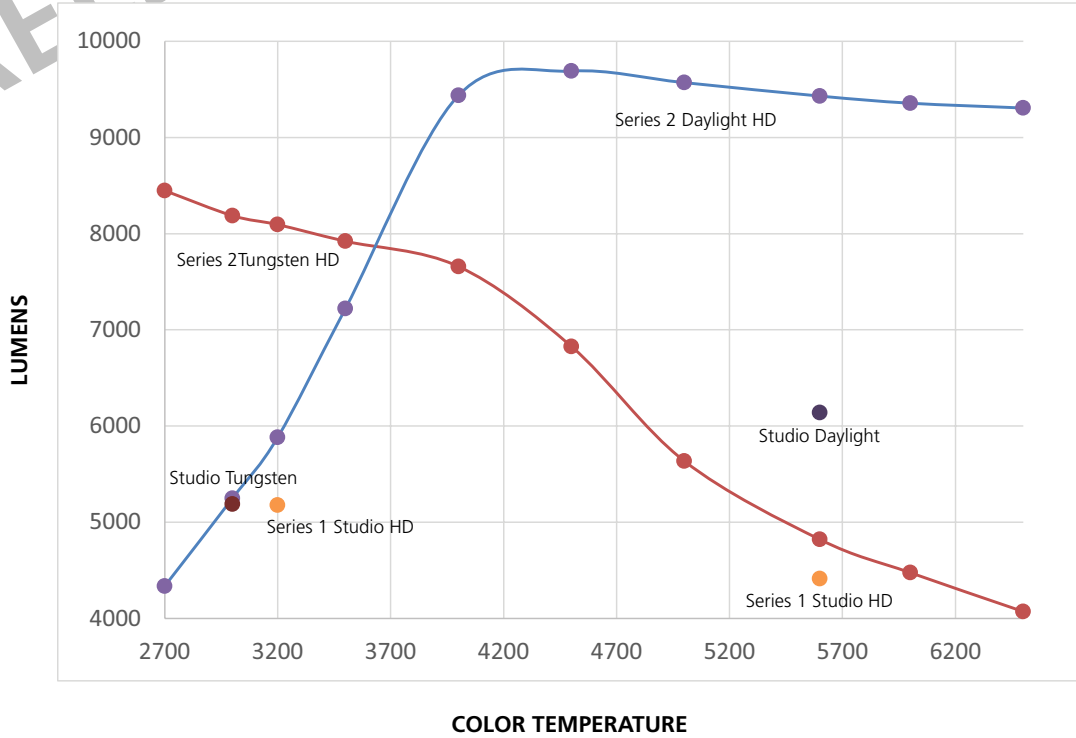
FIXTURE COMPARISON - LUSTR

- The data below was measured on a Source Four LED Series 2 Lustr and a Source Four LED Lustr+, both in Regulated mode. Gel colors shown are standard selections from the Rosco Laboratories Inc. and Lee Filters catalogs.



FIXTURE COMPARISON - DAYLIGHT HD AND TUNGSTEN HD

- The data below was measured on a Source Four LED Series 2 Daylight HD and Tungsten HD against a Source Four LED Series 1 Studio HD, Studio Daylight and Studio Tungsten. All in Regulated mode.



PREFERRED LENSING OPTIONS

(Lenses sold separately)

Fixed Beam Lenses

MODEL	DESCRIPTION
LED50LT	LED-specific 50° EDLT with lenses installed
LED50LT-1	LED-specific 50° EDLT (white) with lenses installed
436EDLT	36° EDLT w/lens installed
436EDLT-1	36° EDLT (white) w/lens installed
426EDLT	26° EDLT w/lens installed
426EDLT-1	26° EDLT (white) w/lens installed
419EDLT	19° EDLT w/lens installed
419EDLT-1	19° EDLT (white) w/lens installed
490LT	90° w/lens installed
490LT-1	90° (white) w/lens installed
470LT	70° w/lens installed
470LT-1	70° (white) w/lens installed
414LT	14° w/lens installed
414LT-1	14° (white) w/lens installed
410LT	10° w/lens installed
410LT-1	10° (white) w/lens installed
405LT	5° w/lens installed
405LT-1	5° (white) w/lens installed

Zoom Lens Assemblies

Use with light-engine body models.

MODEL	DESCRIPTION
41530LT	Source Four 15-30° Zoom lens assembly
42550LT	Source Four 25-50° Zoom lens assembly

Power Consumption at Full Capacity

MODEL	VOLTAGE (V)	CURRENT (A)	MAX POWER (W)
Source Four LED Series 2 Lustr	120	1.44	171
Source Four LED Series 2 Tungsten HD	120	1.76	208
Source Four LED Series 2 Daylight HD	120	2.08	246

ADDITIONAL ORDERING INFORMATION

Fixture Accessories

MODEL	DESCRIPTION
400CC	C-Clamp (included)
400SC	Safety Cable
400PH-A	Pattern holder (A size)
400PH-B	Pattern holder (B size)
400PH-G	Glass pattern holder
400RS	Drop-In Iris
400CF	Color frame (6.25")
407CF	7.5" square color frame
400DN	Donut
400TH	Top Hat
400HH	Half Hat
DPSJ-X	25' PowerCon to Edison input power cable with inline switch

NOTES ABOUT LED LUMINAIRES

All LED sources experience some lessening of light output and some color shift over time. LED output will vary with thermal conditions. Based on the LED manufacturer's B50 L70 specification, a Source Four LED Series 2 luminaire will achieve ~70% of its initial output after 20,000 hours of typical usage. In individual situations, LEDs will be used for different durations and at different levels. This can eventually lead to minor alterations in color performance, necessitating slight adjustments to presets, cues or programs.

CRI AND CQS RATINGS

Source Four LED fixtures were evaluated for CRI and CQS performance using measured output spectrum and optimized mix solutions for a best spectral match to black body sources at 3200K and 5600K.

FIXTURE	CRI	CQS	Color Fidelity	Duv
Source Four LED Series 2 Lustr Reg at 3200K	86	88	88	0
Source Four LED Series 2 Lustr Reg at 5600K	90	91	91	0
Source Four LED Series 2 Tungsten HD Reg at 3200K	96	xx	xx	xx
Source Four LED Series 2 Daylight HD Reg at 5600K	92	xx	xx	xx

All Source Four LED luminaire versions provide excellent color rendering to the eye, particularly at higher color temperature settings, such as 5600K. In most cases, the Duv is 0.000. A Duv rating of 0.000 indicates that the color mix used is exactly on the black body line, with no green or magenta tint.

CONTROL OPTIONS

User settings on Source Four LED Series 2 fixtures allow multiple operational modes and settings for either console operation via DMX protocol or stand-alone operation. The expanded LCD display provides easy navigation to all possible settings and options. Some of the setting options are:

- Multiple DMX choices ranging from a simple RGB profile – which effectively controls all seven LED colors via three channels – to nine-channel ‘direct’ color and intensity control
- Multiple dimming curve options
- Preset colors and sequences for stand-alone (no console required) operation
- White point selection – white light and color behavior based on a specific color-temperature white light, i.e. 3200K, 5600K, etc.
- Loss of data behavior options – instant off, hold last look for two minutes, etc.
- Output modes – three output options that offer you a choice between maximum output and maximum consistency

See the user manual for a complete explanation of all of the control settings and options for the Source Four LED Series 2.

Quick Setups

To assist in managing the numerous control and fixture behavior choices, five combinations of operational settings are available to quickly get started. These settings are specifically created for different applications and are easily accessible at the fixture display. Each setting can then be modified as required to take advantage of all of the possible control features.

Setting Title	Profile	Description	Typical Features*
General	Direct	Factory Default: For general-purpose use, including interior architectural applications	<ul style="list-style-type: none"> • Standard dimming curve • Regulated output for color consistency
Stage	HSI Plus 7 Enabled	Theatrical lighting: Duplicates the color and dimming behavior of tungsten stage lighting fixtures	<ul style="list-style-type: none"> • Incandescent dimming curve • Regulated output for color consistency • 3200K white-point setting
XT Arch	HSI	Exterior architectural lighting: Provides a high degree of color consistency in high ambient temperature environments	<ul style="list-style-type: none"> • Standard dimming curve • Protected output • 3200 white-point setting
High Impact	RGB	Event lighting: Enables quickest response, simple RGB control and strobe channel for maximum effect usage	<ul style="list-style-type: none"> • Quick dimming curve • Boost mode for maximum intensity • 5600K white-point setting
Studio	Studio	Studio factory default: Enables three-parameter control of white light (intensity, white point, and tint) via DMX from console or console-free from fixture display	<ul style="list-style-type: none"> • Linear dimming curve • Regulated output mode for color consistency

*See user manual for complete list of features for each Quick Setup

LUSTER CONTROL OPTIONS

DMX Input Channel Profiles

DMX Profile	DMX Channels	Channel Assignments	Notes
Direct	10	1 – Red 2 – Lime 3 – Amber 4 – Green 5 – Cyan 6 – Blue 7 – Indigo 8 – Intensity 9 – Strobe 10 – Fan Control	Direct control of each individual color with a separate master-intensity channel. Color calibration of LEDs is not active in this mode. This profile will produce additive color crossfades.
HSI	6	1 – Hue (coarse) 2 – Hue (fine) 3 – Saturation 4 – Intensity 5 – Strobe 6 – Fan Control	High-resolution hue (two channels), saturation, and intensity control. HSI mode will produce color crossfades around the color space.
HSIC	7	1 – Hue (coarse) 2 – Hue (fine) 3 – Saturation 4 – Intensity 5 – Strobe 6 – Fan Control 7 – Color Point (CCT)	High-resolution hue, saturation and intensity control as above, with the addition of a color-point channel to adjust the color temperature of the fixture in both white light and color. Color crossfade performance is the same as HSI.
RGB	6 (Ch. 4 not used)	1 – Red 2 – Green 3 – Blue 4 – n/a 5 – Strobe 6 – Fan Control	Effectively addresses all seven colors via three channels of control. RGB profile will produce additive color crossfades.
Studio	6 (Ch. 4 not used)	1 – Intensity 2 – Color Point (CCT) 3 – Tint 4 – n/a 5 – Strobe 6 – Fan Control	Controls fixture as a white light unit. If no DMX, (console input, for example), is present, the fixture can be adjusted for these three parameters on the user interface at the back of the unit.
Additional profile options			
Plus 7		Seven additional color-control channels are available in RGB, HSI and HSIC input-profile settings. For example, HSI with ‘Plus 7’ enabled becomes a 15-channel profile:	
		1 – Hue (coarse) 2 – Hue (fine) 3 – Saturation 4 – Intensity 5 – Strobe 6 – Fan Control 7 – n/a 8 – Plus 7 Control on/off 9 – Red 10 – Lime 11 – Amber 12 – Green 13 – Cyan 14 – Blue 15 – Indigo	<p>The desired color and intensity is achieved by using the HSI or RGB channels</p> <p>Placing channel seven at a value over 51% gives the fixture a 15-channel profile</p> <p>Channels 9-15 represent the native colors of the fixture and allow the operator to adjust individual color channels to fine tune the color output</p>
Strobe		Variable strobe control: 0% is no strobe. The fixture output will strobe more rapidly as the strobe channel value approaches 100%.	

DAYLIGHT HD CONTROL OPTIONS

DMX Input Channel Profiles

DMX Profile	DMX Channels	Channel Assignments	Notes
Studio	6 (Ch. 4 not used)	1 – Intensity 2 – Color Point (CCT) 3 – Tint 4 – n/a 5 – Strobe 6 – Fan Control	Controls fixture as a white light unit. If no DMX, (console input, for example), is present, the fixture can be adjusted for these three parameters on the user interface at the back of the unit.
Direct	10	1 – Red 2 – Mint 3 – Blue 4 – Indigo 5 – Intensity 6 – Strobe 7 – Fan Control	Direct control of each individual color with a separate master-intensity channel. Color calibration of LEDs is not active in this mode. This profile will produce additive color crossfades.
HSI	6	1 – Hue (coarse) 2 – Hue (fine) 3 – Saturation 4 – Intensity 5 – Strobe 6 – Fan Control	High-resolution hue (two channels), saturation, and intensity control. HSI mode will produce color crossfades around the color space.
HSIC	7	1 – Hue (coarse) 2 – Hue (fine) 3 – Saturation 4 – Intensity 5 – Strobe 6 – Fan Control 7 – Color Point (CCT)	High-resolution hue, saturation and intensity control as above, with the addition of a color-point channel to adjust the color temperature of the fixture in both white light and color. Color crossfade performance is the same as HSI.
RGB	6 (Ch. 4 not used)	1 – Red 2 – Green 3 – Blue 4 – n/a 5 – Strobe 6 – Fan Control	Effectively addresses all seven colors via three channels of control. RGB profile will produce additive color crossfades.

Additional profile options

Plus 7	Seven additional color-control channels are available in RGB, HSI and HSIC input-profile settings. For example, HSI with 'Plus 7' enabled becomes a 15-channel profile:	
	1 – Intensity 2 – Color Temp 3 – Tint 4 – Strobe 5 – Fan Control 6 – n/a 7 – Plus 7 Control on/off 8 – Red 9 – Mint 10 – Blue 11 – Indigo	The desired color and intensity is achieved by using the HSI or RGB channels Placing channel seven at a value over 51% gives the fixture a 15-channel profile Channels 9-15 represent the native colors of the fixture and allow the operator to adjust individual color channels to fine tune the color output
Strobe	Variable strobe control: 0% is no strobe. The fixture output will strobe more rapidly as the strobe channel value approaches 100%.	

TUNGSTEN HD CONTROL OPTIONS

DMX Input Channel Profiles

DMX Profile	DMX Channels	Channel Assignments	Notes
Studio	6 (Ch. 4 not used)	1 – Intensity 2 – Color Point (CCT) 3 – Tint 4 – n/a 5 – Strobe 6 – Fan Control	Controls fixture as a white light unit. If no DMX, (console input, for example), is present, the fixture can be adjusted for these three parameters on the user interface at the back of the unit.
Direct	10	1 – Red 2 – Red Orange 3 – Mint 4 – Blue 5 – Indigo 6 – Intensity 7 – Strobe 8 – Fan Control	Direct control of each individual color with a separate master-intensity channel. Color calibration of LEDs is not active in this mode. This profile will produce additive color crossfades.
HSI	6	1 – Hue (coarse) 2 – Hue (fine) 3 – Saturation 4 – Intensity 5 – Strobe 6 – Fan Control	High-resolution hue (two channels), saturation, and intensity control. HSI mode will produce color crossfades around the color space.
HSIC	7	1 – Hue (coarse) 2 – Hue (fine) 3 – Saturation 4 – Intensity 5 – Strobe 6 – Fan Control 7 – Color Point (CCT)	High-resolution hue, saturation and intensity control as above, with the addition of a color-point channel to adjust the color temperature of the fixture in both white light and color. Color crossfade performance is the same as HSI.
RGB	6 (Ch. 4 not used)	1 – Red 2 – Green 3 – Blue 4 – n/a 5 – Strobe 6 – Fan Control	Effectively addresses all seven colors via three channels of control. RGB profile will produce additive color crossfades.

Additional profile options

Plus 7	Seven additional color-control channels are available in RGB, HSI and HSIC input-profile settings. For example, HSI with 'Plus 7' enabled becomes a 15-channel profile:	
	1 – Intensity 2 – Color Temp 3 – Tint 4 – Strobe 5 – Fan Control 6 – n/a 7 – Plus 7 Control on/off 8 – Red 9 – Red Orange 10 – Mint 11 – Blue 12 – Indigo	The desired color and intensity is achieved by using the HSI or RGB channels Placing channel seven at a value over 51% gives the fixture a 15-channel profile Channels 9-15 represent the native colors of the fixture and allow the operator to adjust individual color channels to fine tune the color output
Strobe	Variable strobe control: 0% is no strobe. The fixture output will strobe more rapidly as the strobe channel value approaches 100%.	

PHOTOMETRY

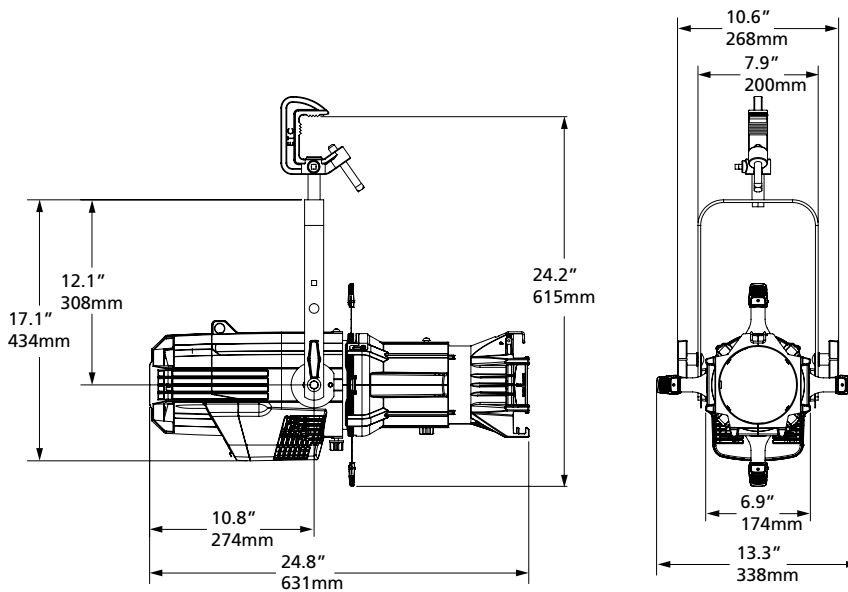
The Source Four LED Photometry Guide and complete IES photometry data files may be downloaded from the ETC website. Go to <http://www.etcconnect.com>

PHYSICAL

Source Four LED Series 2 Weights and Dimensions

	WEIGHT*		SHIPPING WEIGHT	
	lbs	kgs	lbs	kgs
With Barrel	18.3	8.3	28	12.7
Without Barrel	14.3	6.5	23	10.4

* Does not include mounting hardware or lens tube



Corporate Headquarters • 3031 Pleasant View Rd, PO Box 620979, Middleton WI 53562 0979 USA • Tel +1 608 831 4116 • Fax +1 608 836 1736
London, UK • Unit 26-28, Victoria Industrial Estate, Victoria Road, London W3 6UU, UK • Tel +44 (0)20 8896 1000 • Fax +44 (0)20 8896 2000
Rome, IT • Via Pieve Torina, 48, 00156 Rome, Italy • Tel +39 (06) 32 111 683 • Fax +44 (0)20 8752 8486
Holzkirchen, DE • Ohmstrasse 3, 83607 Holzkirchen, Germany • Tel +49 (80 24) 47 00-0 • Fax +49 (80 24) 47 00-3 00
Hong Kong • Room 1801, 18/F, Tower 1 Phase 1, Enterprise Square, 9 Sheung Yuet Road, Kowloon Bay, Kowloon, Hong Kong • Tel +852 2799 1220 • Fax +852 2799 9325
Web • www.etcconnect.com • Copyright©2014 ETC. All Rights Reserved. All product information and specifications subject to change. 7461L1000 Rev. C USA 11/14
 U.S. and international patents pending.