



MOUNTING INSTRUCTIONS FOR SHORT THROW PROJECTOR MOUNT

To fit Optoma:
X307UST / X307USTi / W307UST / W307USTi
MODEL No. OPCWM1100 FN. OPCWM1100
Max Weight Loading 15Kgs

- read these instructions carefully before installing your equipment.
- install the mount in a suitable location using fixings which are appropriate for the wall material and structure. Consult a qualified builder if you are in any doubt as to the structural integrity of the wall.
- use all available fixing points.
- do not attempt to alter or modify any part of the wall mount or it's attachments.
- do not use if any parts are broken or appear to be damaged.
- tighten all bolts and fixings securely. Only use fixings provided with this bracket.
- do not mount your projector near to sources of heat or moisture.
- always have a minimum of two persons to install the projector and the mount.

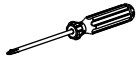
Mount Assembly Kit

	Cable protection grommet	x2
	A - M8 Washer	x4
	B - M8 Nut	x4

Projector Fixing Kit

	C - M3 x 10mm G - M3 x 25mm	
	D - M4 x 10mm H - M4 x 25mm	x4
	E - M5 x 10mm I - M5 x 25mm	
	F - M6 x 10mm J - M6 x 25mm	
	K - M3 Washer M - M5 Washer	x4
	L - M4 Washer N - M6 Washer	
	O - M5 x 15mm	x4
	P - M6 x 15mm	
	Q - Extension Arm	x4
	R - M5 x 10mm	x4

Also Required



1B Remove wall plate trim before attaching to wall

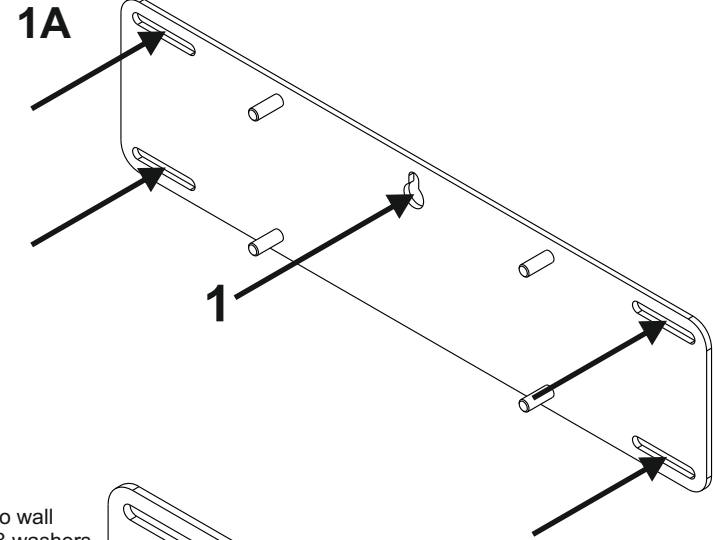
NOTE: Retain fixings for re-attaching trim later.

1 Attach Wall Plate To Wall

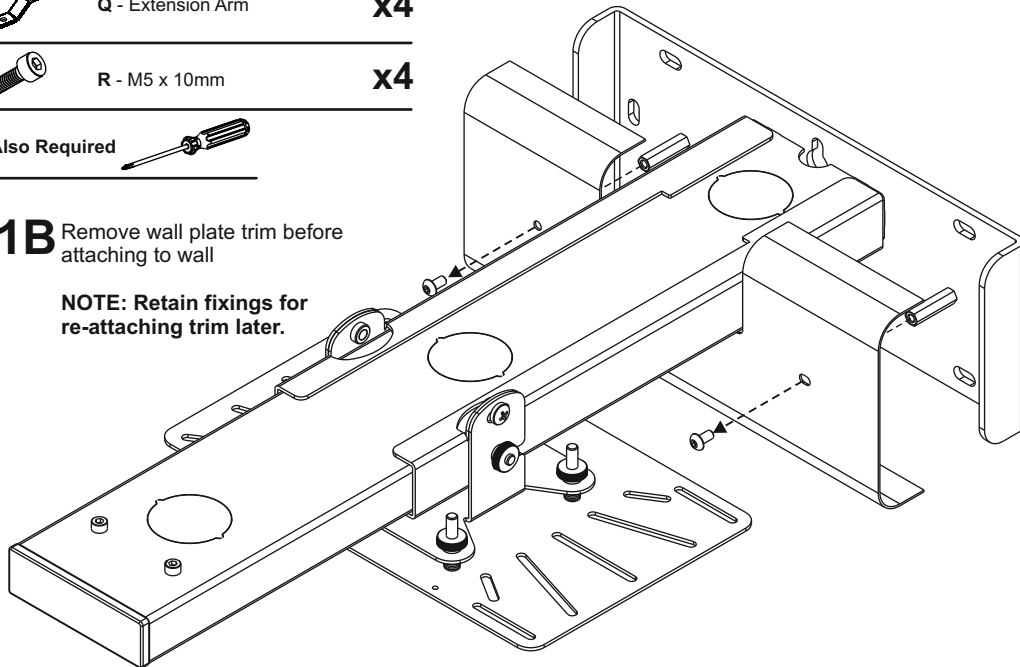
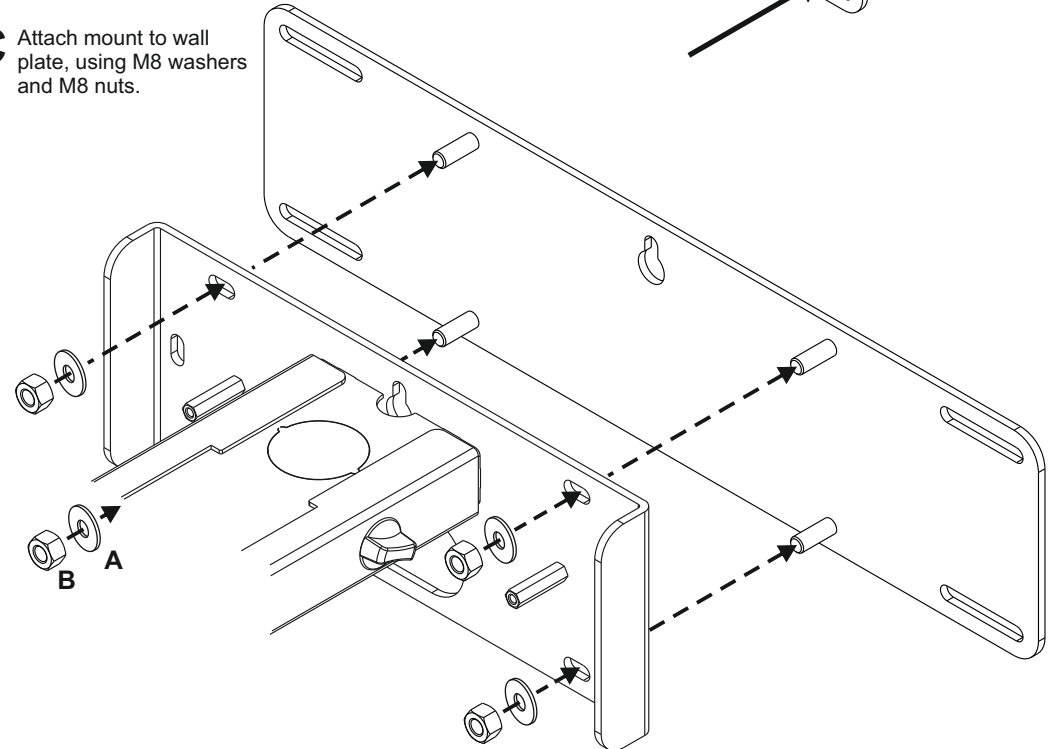
- For ease of installation mount bracket on wall using position 1 and mark other positions using a spirit level. Then remove fixing from position 1, remove bracket and drill other positions
- Use Fixings suitable for your type of wall construction.
- Use All available fixing points.
- If in any doubt of the suitability of the wall, it's construction or what type of fixings to use, consult a qualified builder or installer.

NOTE:

- For mounting OPTOMA XGA and WXGA Ultra Short Throw Projectors locate the wall plate centrally to the screen centre.



1C Attach mount to wall plate, using M8 washers and M8 nuts.



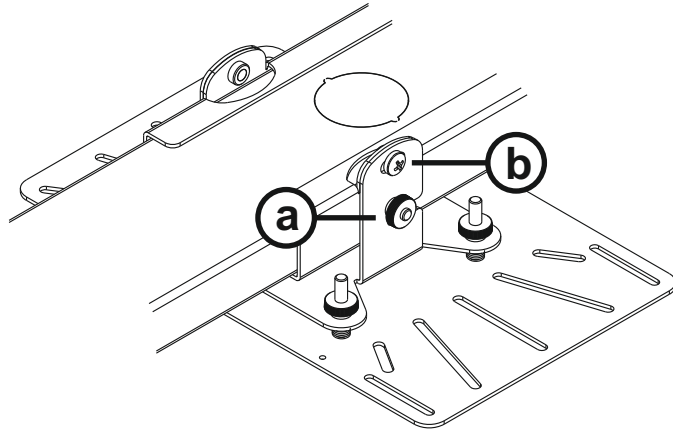
2

Attach Optoma Ultra Short Throw Projector

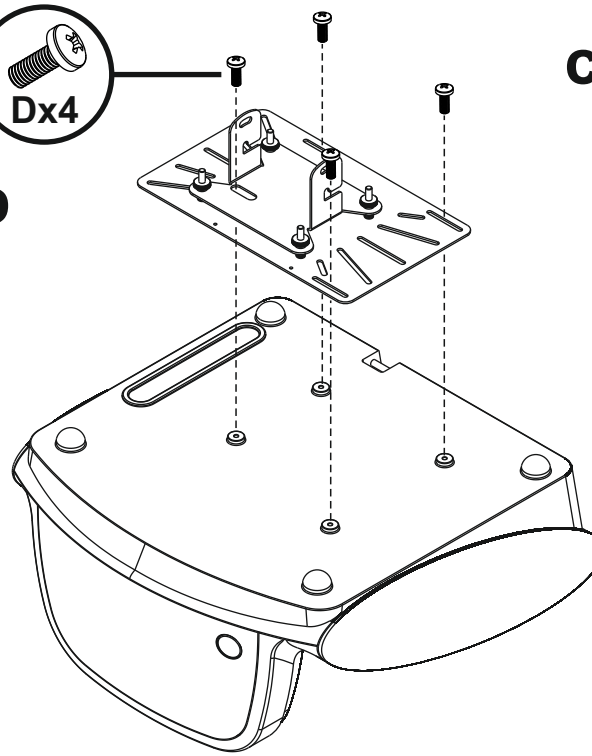
a

Remove interface plate by removing screws 'b' (x2) and loosening thumbwheels 'a' (x2). Then you can un-hook the plate.

NOTE: Retain screws 'b' for use later.

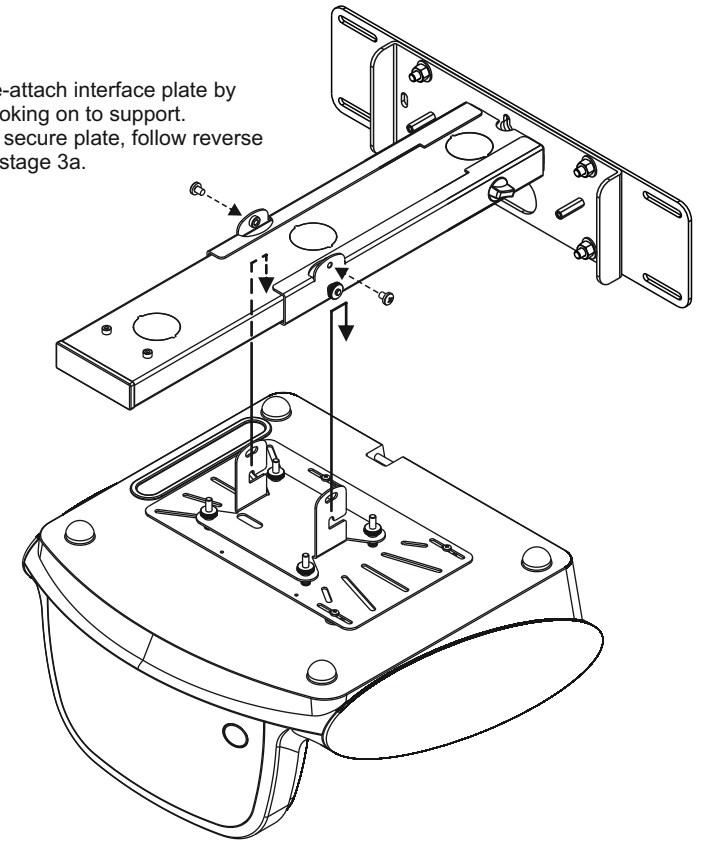


b



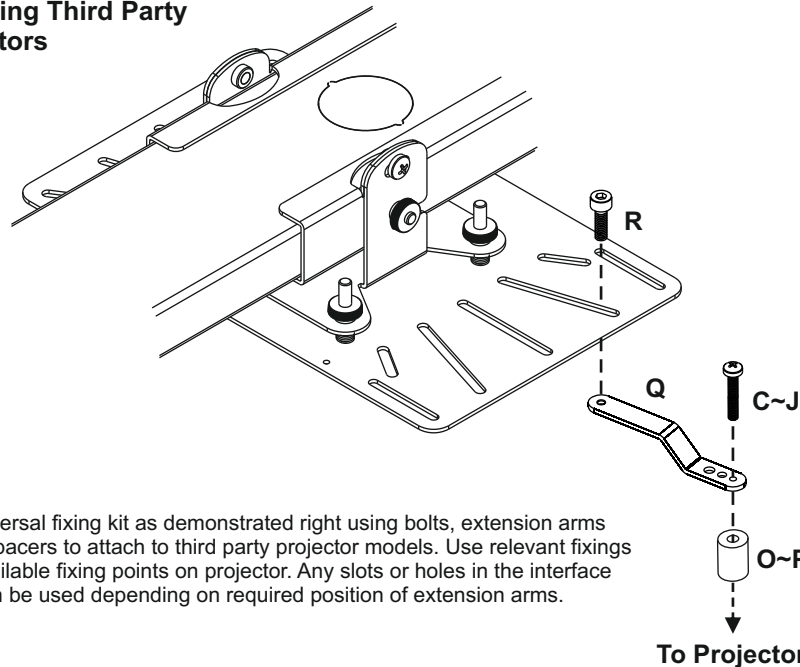
c

Re-attach interface plate by hooking on to support. To secure plate, follow reverse of stage 3a.



3

Attaching Third Party Projectors



NOTE:

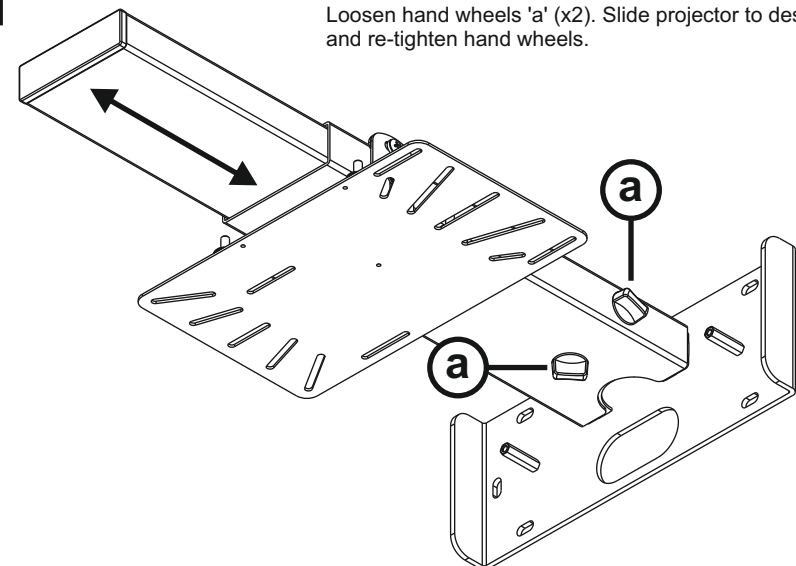
Use universal fixing kit as demonstrated right using bolts, extension arms and/or spacers to attach to third party projector models. Use relevant fixings in all available fixing points on projector. Any slots or holes in the interface plate can be used depending on required position of extension arms.

4

Adjust length

Projector removed in this view for clarity

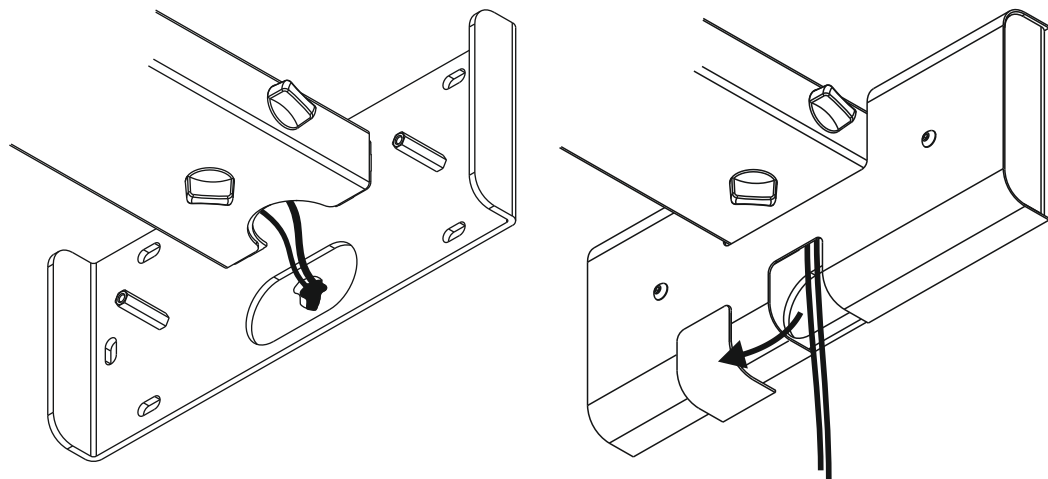
Loosen hand wheels 'a' (x2). Slide projector to desired position and re-tighten hand wheels.



5 Cable Routing

Projector removed in this view for clarity

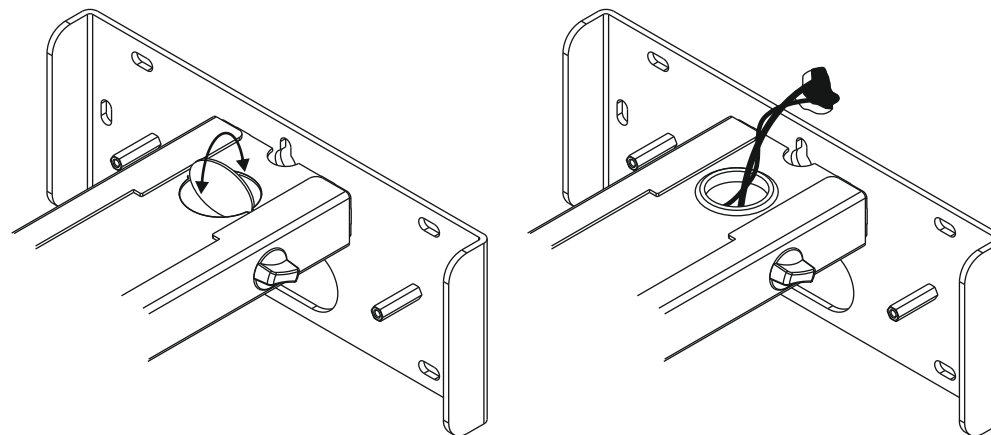
a Entry option through wall plate or through wall trim



b Entry option bypassing wall plate and in to support

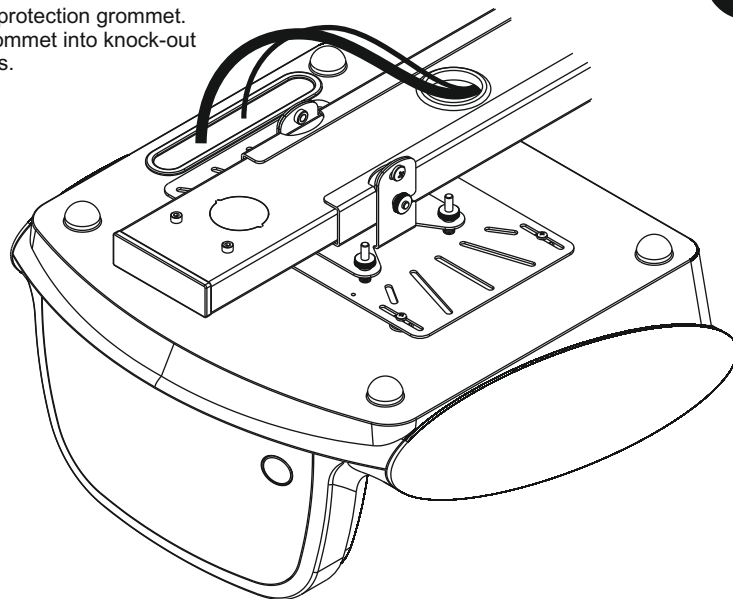
i. Remove knock-out to reveal access hole

ii. Insert Cable Protection Grommet and feed Cables in to support.



c Cable exit from mount to projector

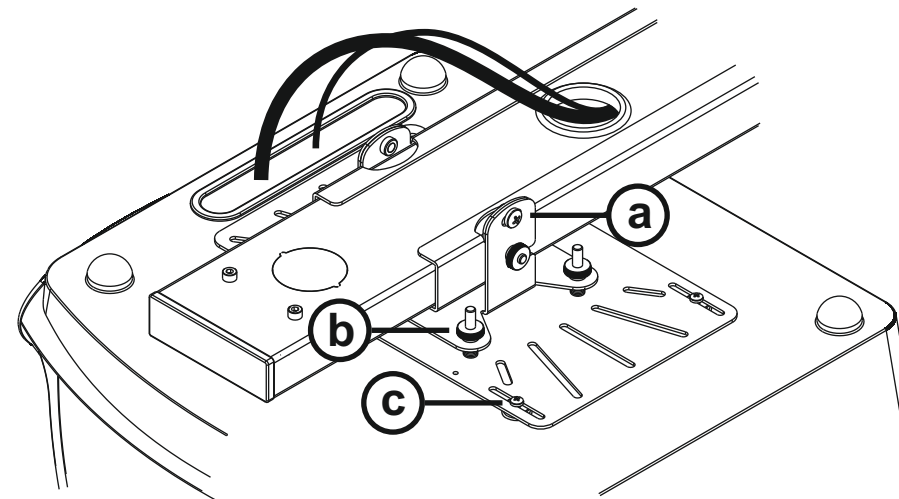
Remove knock-out nearest to desired exit point depending on position of projector. To remove knock-out follow Stage '6b'. Route cable out of support and through cable protection grommet. Secure cable protection grommet into knock-out hole before adjusting cables.



6 Fine Adjustment

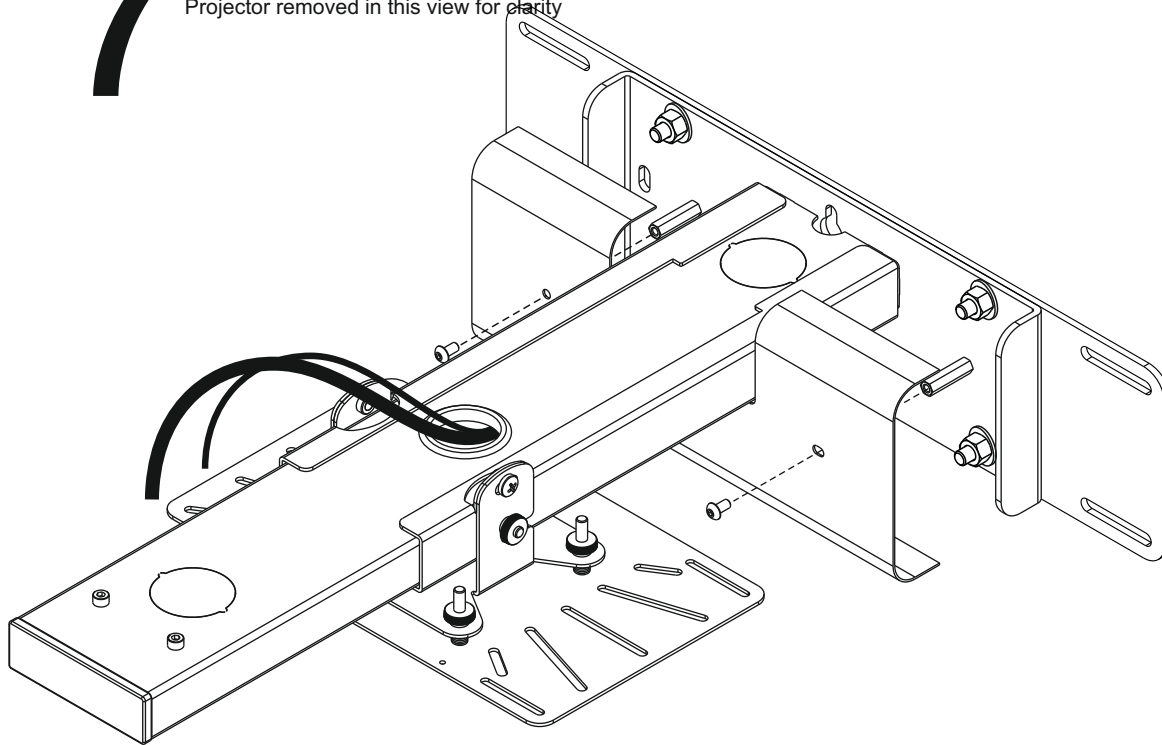
- Tilt - Loosen bolt 'a' (x2). Adjust projector to required angle. Re-tighten bolt 'a' (x2).
- Fine level - Adjust thumbwheels 'b' independently to achieve desired level.
- Lateral Positioning - Loosen Projector fixing screws slightly and slide the projector until image is centralised to screen.

NOTE: Do not fully remove any of the adjustment wheels or fixings described above



7 Re-attach Wall Plate Trim

Projector removed in this view for clarity



- read these instructions carefully before installing your equipment.
- install the mount in a suitable location using fixings which are appropriate for the wall material and structure. Consult a qualified builder if you are in any doubt as to the structural integrity of the wall.
- use all available fixing points.
- do not attempt to alter or modify any part of the wall mount or it's attachments.
- do not use if any parts are broken or appear to be damaged.
- tighten all bolts and fixings securely. Only use fixings provided with this bracket.
- do not mount your projector near to sources of heat or moisture.
- always have a minimum of two persons to install the projector and the mount.

The Optoma logo, featuring a red swoosh above the word "Optoma" in a bold, black, sans-serif font.

SHORT THROW PROJECTOR MOUNT

MODEL No. OWM1100
FN. OWM1100
Max Weight Loading 15Kgs

Specifications;

Throw distance - OPTOMA XGA & WXGA Ultra Short Throw Projectors
350mm to 775mm (From wall to lens)
UNIVERSAL (Approx dependent on fixing positions)
0mm to 850mm

Adjustment - 425mm Throw Adjustment
+/- 5° Tilt Adjustment
4-point vernier adjustment tilt and yaw
20mm left/right lateral adjustment

Compatibility - **Optoma**
OPTOMA XGA & WXGA Ultra Short Throw Projectors
OPTOMA XGA & WXGA Short Throw Projectors*
Hitachi
ED-D10N, ED-D11N, CP-D10
ED-A100*, ED-A101*, ED-A111*, CP-A100*, ED-A220
NEC
M2XXXX, M3XXXX
U2XX, U3XX

Compatibility information provided as a guide. Please check with the manufacturer to ensure 100% compatibility.

*Screen size limited