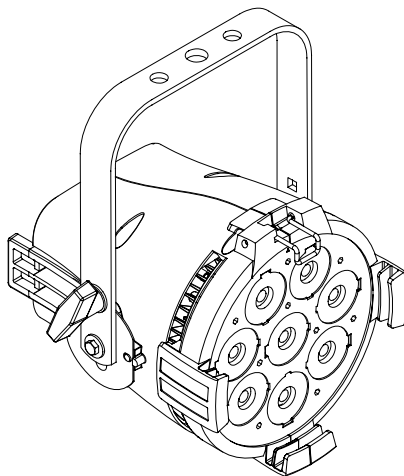




100V 115/120V 230/240V

## ColorSource Series



## GENERAL INFORMATION

The ETC ColorSource PAR offers a quality of build and light that has never been seen in an affordable wash fixture. Using ETC's unique RGB-L color system, the ColorSource PAR provides a rich, bright light unlike any other LED washlight in its class. And it was design and manufactured by ETC.

## APPLICATIONS

- Houses of worship
- Universities and schools
- Hospitality
- Retail
- Exhibition centers
- Meeting rooms
- Clubs
- Cafeteriums

## PRODUCT FEATURES

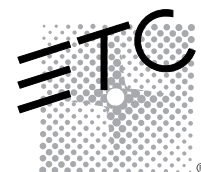
- ETC's new RGB-L chipset (Red, Green, Blue and Lime)
- Homogenized optics
- Simple user interface with 7-segment display
- PowerCon in and thru
- DMX/RDM in and thru (5-pin)
- LED droop compensation
- Optically calibrated
- Tour-ready, aluminum housing

## ORDERING INFORMATION

## ColorSource PAR

MODEL	DESCRIPTION
CSPAR	ColorSource PAR

Note: ColorSource PAR luminaires ship with a hanging yoke and a power cable with connector of choice. See page 2 for connector options. C-clamps are not included. For additional color options, please add the following: -1 for white, -5 for silver or -8 for custom color.



## SPECIFICATIONS

## GENERAL

- 8 RGB-L chipset color-mixing wash luminaire
- ETL Listed to UL1573, the standard for stage and studio lighting units
- IP20-rated for indoor use
- Power- and DMX-in/thru connections for easy setup
- Simple 7-segment, three-button interface with easy access to 12 customizable presets and five sequences

## PHYSICAL

- Rugged, die-cast, all-metal housing
- Easy-access slots for secondary lenses and standard 7.5" PAR accessories
- Available in black (standard), white or silver (optional) or custom colors (contact factory)
- Hanging yoke included

## ELECTRICAL

- 100VAC to 240VAC 50/60Hz universal power input
- PowerCon in and thru connections
- Up to nine luminaires (15A max) may be linked via power thru connector (10 luminaires total per circuit) when used with R20 relay module or Unison® Echo Relay Panel. Consult breaker trip curves when used with other equipment. Requires power from a non-dimmable source
- Inrush
  - 120V: 35A (First half-cycle)
  - 240V: 49A (First half-cycle)

## LED\*

- 20,000-hour LED life (20,000 hours at 70% intensity)
- 40 Luxeon® Z LED emitters (five per optic)

\*See additional LED notes on page 3

## COLOR

- Exclusive RGB-L Color array
- Brightness and color range unlike any other 4-color system
- Droop compensation maintains color accuracy during use
- Optically calibrated to ensure consistency across fixture

## OPTICAL

- Primary field angle of 24.9° and beam angle of 14.5°
- Secondary lenses available for multiple beam-spread options
- Homogenized optics for a consistent, smooth beam
- Refer to accessories charts for lenses available

## CONTROL

- DMX512 in and thru via five-pin XLR (termination required)
- RGB control (See DMX control table for additional information)
- 15-bit virtual dimming engine provides smooth, high-quality theatrical fades
- RDM functionality for address and setting changes
- Local control of presets (12) and sequences (5)

## THERMAL

- Ambient operating temperature of 32° to 104°F (0° to 40°C)
- Active electronic thermal management for thermal droop-free operation
- Variable-speed fan
- Fixture is designed for continuous operation up to 104°F (40°C) ambient temperature and requires free flow of air around fixture housing

## ADDITIONAL ORDERING INFORMATION

## Power Input Cables

Use information below to order 5' power input leads with factory-fitted connectors.

MODEL	DESCRIPTION
DPA-A	5' PowerCon to parallel blade U-ground (Edison) connector
DPA-B	5' PowerCon to 20A two-pin and ground (stage-pin) connector
DPA-C	5' PowerCon to grounded 20A twistlock connector
DPA-X	5' PowerCon to bare-end power input lead

## Power-Thru Jumpers

Note: Power thru jumpers connect to luminaire's output (thru) connector to provide link to successive luminaires

MODEL	DESCRIPTION
DPJ-5	5' PowerCon to PowerCon fixture to fixture jumper
DPJ-10	10' PowerCon to PowerCon fixture to fixture jumper

## Luminaire Accessories

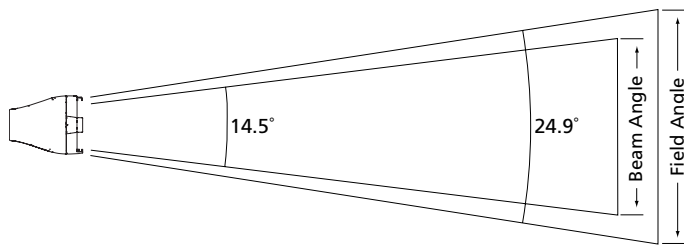
MODEL	DESCRIPTION
CSPARFSY	Yoke with floor-stand attachment
400BD	Barn door (Use only as a flexible top hat to diminish aperture glare. Not for beam shaping)
407CF	Color Frame (use for round and oblong lenses)
400L	Egg Crate Louver
400PTH3	Top Hat 3" Tube
400PTH6	Top Hat 6" Tube
400PHH	Half Hat 6" Tube
400CC	C-Clamp (does not ship with fixture)
400SC	Safety Cable (32")
DPSJ-25	25' PowerCon to Edison input power cable with inline switch

PHOTOMETRICS

ColorSource PAR

Mode	Degree	Candela	Field Lumens	Beam Lumens	Lumens Per Watt
Regulated - RGB	24.9	47,900	2,749	1,537	32

Metric conversions: For meters, multiply feet by 0.3048  
 For lux, multiply footcandles by 10.76



<b>Throw Distance (d)</b>	10' 3.0m	15' 4.6m	20' 6.1m	25' 7.6m	217.7' 66.4m
<b>Field Diameter</b>	4.4' 1.3m	6.6' 2.0m	8.8' 2.7m	11' 3.4m	-
<b>Illuminance (fc)</b>	474	211	119	76	1
<b>Illuminance (lux)</b>	5,102	2,268	1,276	816	10.76

To determine center beam illumination in footcandles at any throw distance, divide candela by the throw distance squared

For field diameter at any distance, multiply distance by 0.442

For beam diameter at any distance, multiply by 0.254

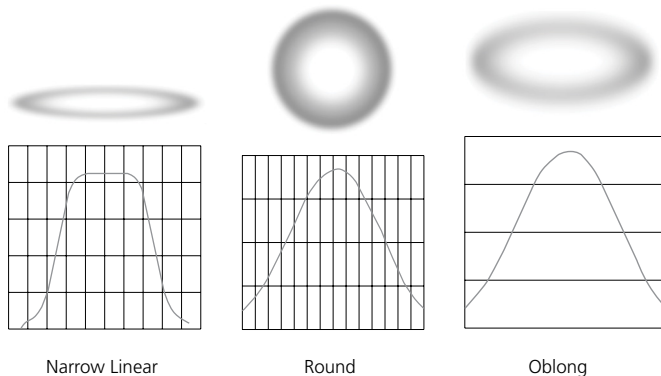
ADDITIONAL ORDERING INFORMATION

Secondary Lens Options

<b>MODEL</b>	<b>DESCRIPTION:</b> The following lenses are cut for ColorSource luminaires and create round, linear or oblong field patterns as described below. These lenses are not sized for use in Selador® Classic fixtures.	
<b>Narrow Linear Field</b>	Note: This is the same material as Selador Classic lenses	
SELLVN-7.5	7.5" Very Narrow lens	Linear lenses may be combined to create desired field size
SELLN-7.5	7.5" Narrow lens	
SELLM-7.5	7.5" Medium lens	
SELLW-7.5	7.5" Wide lens	
SELLEW-7.5	7.5" Extra Wide lens	
<b>Round Field</b>		
SELRVN-7.5	7.5" Very Narrow lens (round field)	
SELRN-7.5	7.5" Narrow lens (round field)	
SELRM-7.5	7.5" Medium lens (round field)	
SELRW-7.5	7.5" Wide lens (round field)	
<b>Oblong Field</b>		
SELON-7.5	7.5" Narrow lens (oblong field)	
SELOM-7.5	7.5" Medium lens (oblong field)	
SELOW-7.5	7.5" Wide lens (oblong field)	

[http://www.etconnect.com/docs/docs\\_downloads/miscdocs/Desire vs PAR EA revB.pdf](http://www.etconnect.com/docs/docs_downloads/miscdocs/Desire vs PAR EA revB.pdf)

Typical Lens Field Profiles



Power Consumption at Full Intensity

MODEL	VOLTAGE (V)	CURRENT (A)	WATTS
ColorSource PAR	120 / 240	0.75 / 0.4	90/89

NOTES ABOUT LED LUMINAIRES

All LED sources experience some lessening of light output and some color shift over time. LED output will vary with thermal conditions. Thermal conditions can be affected by ambient temperatures and orientation. Based on the LED manufacturer's B50 L70 specification, a ColorSource luminaire will achieve ~70% of its initial output after 20,000 hours of typical usage. In individual situations, LEDs will be used for different durations and at different levels. This can eventually lead to minor alterations in color performance, necessitating slight adjustments to presets, cues or programs.

CONTROL

DMX Input Channel Profiles

DMX Profile	DMX Channels	Channel Assignments	Notes
RGB	5	1-INT 2-Red 3-Green 4-Blue 5-Strobe	

PHYSICAL

ColorSource PAR Dimensions

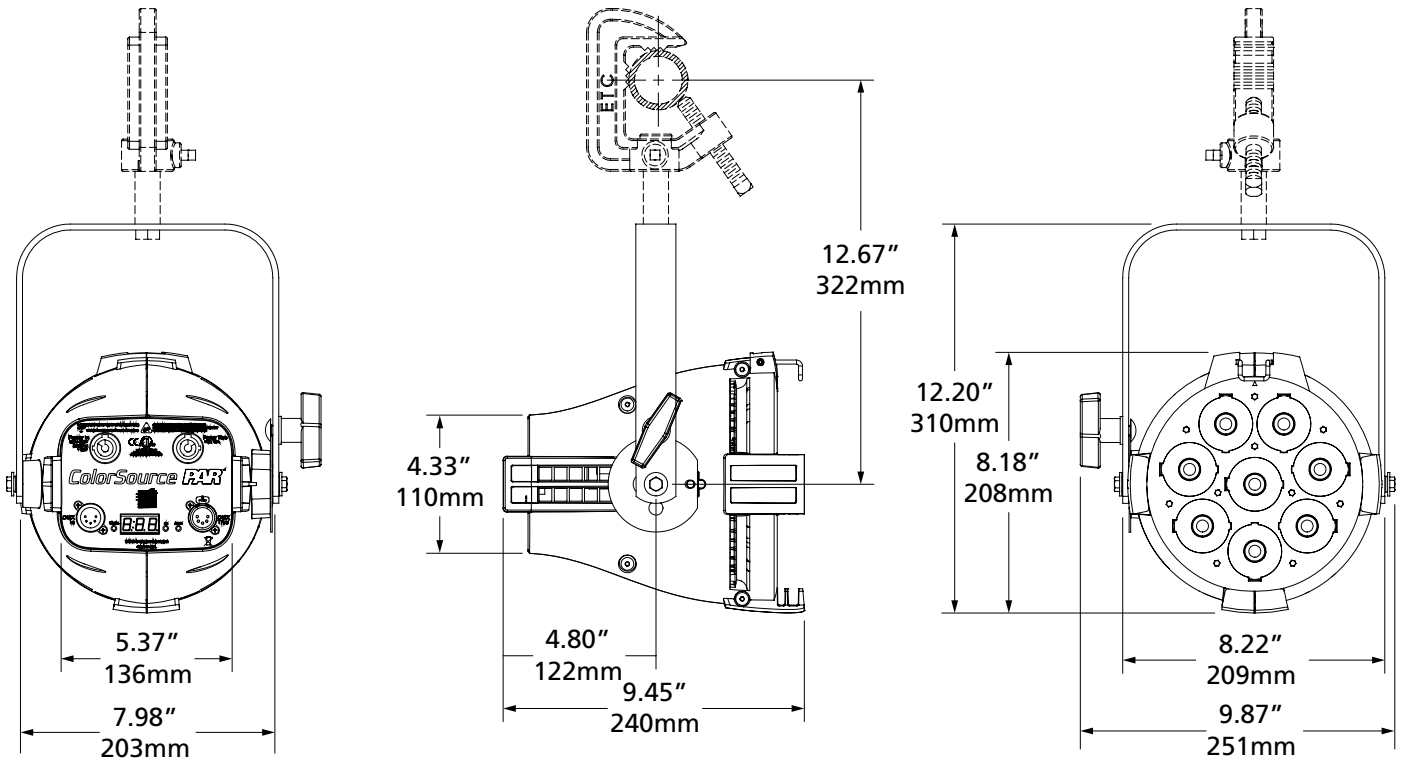
HEIGHT		WIDTH		DEPTH	
inches	mm	inches	mm	inches	mm
12.20	310	7.98	203	9.45	240

\* Does not include mounting hardware

ColorSource PAR Weights

WEIGHT*		SHIPPING WEIGHT	
lbs	kgs	lbs	kgs
8.3	3.77	10.1	4.59

\* Does not include mounting hardware



Corporate Headquarters • 3031 Pleasant View Rd, PO Box 620979, Middleton WI 53562 0979 USA • Tel +1 608 831 4116 • Fax +1 608 836 1736  
 London, UK • Unit 26-28, Victoria Industrial Estate, Victoria Road, London W3 6UU, UK • Tel +44 (0)20 8896 1000 • Fax +44 (0)20 8896 2000  
 Rome, IT • Via Pieve Torina, 48, 00156 Rome, Italy • Tel +39 (06) 32 111 683 • Fax +44 (0)20 8752 8486  
 Holzkirchen, DE • Ohmstrasse 3, 83607 Holzkirchen, Germany • Tel +49 (80 24) 47 00-0 • Fax +49 (80 24) 47 00-3 00  
 Hong Kong • Room 1801, 18/F, Tower 1 Phase 1, Enterprise Square, 9 Sheung Yuet Road, Kowloon Bay, Kowloon, Hong Kong • Tel +852 2799 1220 • Fax +852 2799 9325  
 Web • www.etcconnect.com • Copyright©2014 ETC. All Rights Reserved. All product information and specifications subject to change. 7412L1000 Rev. A USA 12/14

This product is protected by one or more of the following U.S. Patents: 6,016,038, 6,150,774, 6,788,011, 6,806,659, 6,683,423 and 7,023,543