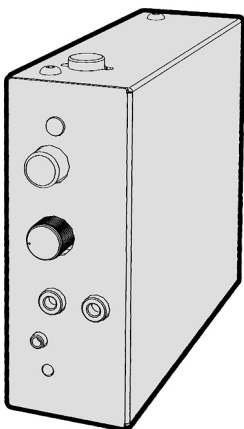


**datavideo**®



**INTERCOM BELT PACK  
ITC-100SL  
Instruction Manual**

[www.datavideo.com](http://www.datavideo.com)

# Warranty

## Standard Warranty

- ◆ Datavideo equipment is guaranteed against any manufacturing defects for one year from the date of purchase.
- ◆ The original purchase invoice or other documentary evidence should be supplied at the time of any request for repair under warranty.
- ◆ Damage caused by accident, misuse, unauthorized repairs, sand, grit or water is not covered by this warranty.
- ◆ All mail or transportation costs including insurance are at the expense of the owner.
- ◆ All other claims of any nature are not covered.
- ◆ Cables & batteries are not covered under warranty.
- ◆ Warranty only valid within the country or region of purchase.
- ◆ Your statutory rights are not affected.

## Two Year Warranty

- ◆ All Datavideo products purchased after 01-Oct.-2008 qualify for a free one year extension to the standard Warranty, providing the product is registered with Datavideo within 30 days of purchase. For information on how to register please visit [www.datavideo-tek.com](http://www.datavideo-tek.com) or contact your local Datavideo office or authorized Distributors
- ◆ Certain parts with limited lifetime expectancy such as LCD Panels, DVD Drives, Hard Drives are only covered for the first 10,000 hours, or 1 year (whichever comes first).

Any second year warranty claims must be made to your local Datavideo office or one of its authorized Distributors before the extended warranty expires.

## Disposal



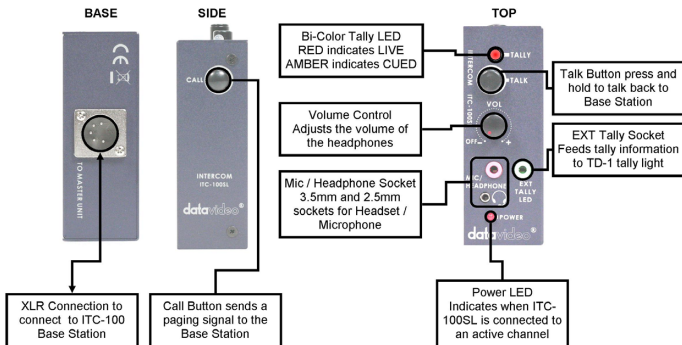
### **For EU Customers only - WEEE Marking**

This symbol on the product indicates that it will not be treated as household waste. It must be handed over to the applicable take back scheme for the recycling of electrical and electronic equipment. For more detailed information about the recycling of this product, please contact your local Datavideo office.

## Packing List

- 1 x TD -2 Tally Light
- 1 x MC-1 Headset / Microphone
- 1 x ITC-100SL Slave Unit
- 1 x 20m XLR to XLR Intercom Cable
- 1 x GPI cable
- 1 x 36cm Black Velcro
- 1 x 3.5Ø Earphone (M) to two Earphone (F) L: 17cm)
- 1 x ITC-100SL Carrying Case
- 1 x 5\*30 cm Velcro
- 1 x Instruction Manual

# ITC-100SL Slave Unit



## XLR Connection

Connects the ITC-100SL to the ITC-100 Base Station. Power, tally and bi-directional audio are all carried through the same cable.



## Call Button

Sends a paging message to the ITC-100 Base Station. The channel button will flash orange and there will be an audible tone, each time the button is pressed.



### Bi-Color Tally LED

Will illuminate RED when the channel is LIVE and AMBER when the channel is CUED



### Talk Button

Opens up talk back communication with the ITC-100 base station, and any other active channels. Press to activate; release to de-activate. ***PLEASE NOTE: It is important to deactivate the talk channel as soon as you have finished talking, otherwise it will remain an open channel and become distracting and confusing for other members of the crew.***



### Volume Control

Adjusts the volume of the headphones.



### Mic / Headphone Socket

The ITC-100SL has both a 3.5mm and 2.5mm Mic / Headset socket. A standard 3.5mm Mic / Headset can be used, or a Motorola type 2.5mm Mic / headset could be used if preferred.



## External Tally LED Socket

An external tally display (TD-2) can be connected to the ITC-100SL. This enables the tally light to be positioned in a more convenient place, such as on top of the camera. When the channel is LIVE the LED will be RED, and when the channel is CUED the LED will be AMBER.

***N.B. The Tally LED on the ITC-100SL will continue to operate as normal when a TD-2 has been added.***



## Power LED

The Power LED indicates when the channel is active. If the operator has opened the channel by pressing the channel button 1 ~ 8, or by pressing ALL then the LED will light up.

***N.B. The tally indicator lights will continue to work even when the Power LED is not on, and the channel is not active.***

## Specification

<b>INPUT</b>	5 Pin XLR Connector
<b>MIC / HEADSET SOCKET</b>	3.5mm Stereo Jack Socket for combination Headphone / Microphone Headset Impedance 8~600 ohms 100mW(min) Microphone Level -67dB <b>Or</b> 2.5mm Stereo Jack Socket, for Motorola Mobile Phone type headset / microphone
<b>FREQUENCY RESPONSE</b>	550-3.6KHz, < +/-3dB
<b>THD</b>	< 3%
<b>S/N</b>	50dB
<b>TALLY OUT SOCKET</b>	3.5mm Jack Socket to connect to TD-2 Tally Indicator
<b>TALLY LED</b>	Bi-Color LED – RED indicates LIVE / AMBER Indicates CUED
<b>POWER LED</b>	Illuminates to indicate that power is being received
<b>OPERATING RANGE</b>	Up to 200m between Base Station and Slave
<b>OPERATING TEMP. RANGE</b>	5 ~ 45°C
<b>DIMENSION</b>	114mm x 97mm x 35mm
<b>WEIGHT</b>	348g

# Service & Support

It is our goal to make owning and using Datavideo products a satisfying experience. Our support staff is available to assist you to set up and operate your system. Contact your local office for specific support requests. Plus, please visit [www.datavideo.com](http://www.datavideo.com) to access our FAQ section.

## Datavideo USA

Datavideo Corporation  
7048 Elmer Avenue.  
Whittier, CA 90602,  
U.S.A.  
Tel: +1-562-696 2324  
Fax: +1-562-698 6930  
E-mail: [sales@datavideo.us](mailto:sales@datavideo.us)

## Datavideo The Netherland

Datavideo Technologies Europe BV  
Floridareef 106  
3565 AM Utrecht,  
The Netherlands  
Tel: +31-30-261-96-56  
Fax: +31-30-261-96-57  
E-mail: [info@datavideo.nl](mailto:info@datavideo.nl)

## Datavideo United Kingdom

Datavideo UK Limited  
Units1 & 2 Waterside Business Park  
Hadfield, Glossop, Derbyshire  
SK13 1BE, UK  
Tel: +44-1457 851 000  
Fax: +44-1457 850 964  
E-mail: [sales@datavideo.co.uk](mailto:sales@datavideo.co.uk)

## Datavideo Taiwan

Datavideo Technologies Co. Ltd  
10F, No. 176, Jian 1st Rd., Chung Ho  
District, New Taipei City 235, Taiwan,  
R.O.C.  
Tel: +886-2-8227-2888  
Fax: +886-2-8227-2777  
E-mail: [service@datavideo.com.tw](mailto:service@datavideo.com.tw)

## Datavideo China

Datavideo Technologies China Co  
101, NO.618, LiuYing Rd, Zhabei District,  
Shanghai, China  
Tel: +86 21-5603 6599  
Fax: +86 21-5603 6770  
E-mail: [service@datavideo.cn](mailto:service@datavideo.cn)

## Datavideo Singapore

Datavideo Technologies (S) PTE Ltd  
No. 178 Paya Lebar Road #06-03  
Singapore 409030  
Tel: +65-6749 6866  
Fax: +65-6749 3266  
E-mail: [sales@datavideo.sg](mailto:sales@datavideo.sg)

## Datavideo Hong Kong

Datavideo Hong Kong Ltd  
G/F., 26 Cross Lane  
Wanchai, Hong Kong  
Tel: +852-2833-1981  
Fax: +852-2833-9916  
E-mail: [info@datavideo.com.hk](mailto:info@datavideo.com.hk)

## Datavideo France

Datavideo France s.a.r.l  
Cit  Descartes 1, rue Albert Einstein  
Champs sur Marne  
774477-Marne la Vall e cedex 2  
Tel: +33-1-60370246  
E-mail: [info@datavideo.fr](mailto:info@datavideo.fr)

## Datavideo India

Datavideo Technologies India Pvt I  
A-132, Sec-63, Noida-201307,  
Uttar Pradesh (UP), India.  
Tel: +91-0120-2427337  
Fax: +91-0120-2427338  
E-mail: [sales@datavideo.in](mailto:sales@datavideo.in)



Please refer to our website for update the latest version manual.

[www.datavideo.info/Intercom+Systems/ITC-100SL](http://www.datavideo.info/Intercom+Systems/ITC-100SL)

**datavideo**®  
[www.datavideo.com](http://www.datavideo.com)

All the trademarks are the properties of their respective owners.  
Datavideo Technologies Co., Ltd. All rights reserved 2018

Feb-20.2014 P/N: G082061402E5