



LEVEL Q7 IP™

SKU# LEV066

The new IP65 rated Level Q7 IP™ features (7) 15W QUAD color RGBW LEDs, 7° beam and 13° field angles, color correction (2,700K - 7,200K), electronic strobe (1-18 fps) and dimming (0-100%), flicker free operation for TV and FILM, rugged die-cast aluminum exterior, rubber padded base with dual yoke / floor stand, multiple unit power linking, 127W max power consumption, and a multi-voltage universal auto switching power supply (120-240v).

FEATURES

IP65 Rated

(7) 15W QUAD Color RGBW LEDs

3636 LUX 388 FC @16.4' (5M)

7° Beam and 13° Field Angles

Color Correction (2,700K - 7,200K)

Electronic Strobe (1-18 fps) and Dimming (0-100%)

Flicker Free Operation for TV and FILM

Rugged Die-Cast Aluminum Exterior

Rubber Padded Base with Dual Yoke / Floor Stand

Multiple Unit Power Linking

127W Max Power Consumption



ELATION | LEVEL Q7™ | Product Specification Sheet

Specifications are subject to change without notice ©Elation Professional

Elation Professional USA | 6122 S. Eastern Ave. | Los Angeles, CA. 90040
323-582-3322 | 323-832-9142 fax | www.elationlighting.com | info@elationlighting.com

Elation Professional B.V. | Junostraat 2 | 6468 EW Kerkrade, Netherlands
+31 45 546 85 66 | +31 45 546 85 96 fax | www.elationlighting.eu | info@elationlighting.eu

PRODUCT SPECIFICATIONS

FEATURES

- IP65 Rated
- 7° Beam 13° Field Angles
- 2,700K - 7,200K Color Correction
- Flicker Free Operation for TV and FILM
- Rugged Die-Cast Aluminum Exterior
- Rubber Padded Base with Dual Yoke / Floor Stand
- Multiple Unit Power Linking

SOURCE

- (7) 15W QUAD Color RGBW LEDs
- 100,000 Hour Average Life

PHOTOMETRIC DATA

3636 LUX 388 FC @16.4' (5M)

EFFECTS

- Electronic Strobe and Varying Settings
- Color and Chase Macros
- Electronic Dimming: 0% - 100%

CONTROL / CONNECTIONS

- (4) DMX Channel Modes (4/5/7/9)
- (4) Button Control Panel
- LCD Menu Display
- IP 3pin DMX In/Out
- IP 3pin Power In/Out

SIZE / WEIGHT

- Length: 11.0" (278.6mm)
- Width: 5.5" (140.5mm)
- Vertical Height: 10.2" (260mm)
- Weight: 9.0 lbs. (4 kg)

ELECTRICAL / THERMAL

- AC 100-240V - 50/60Hz
- 127W Max Power Consumption
- Multiple Unit Power Linking
- 13°F to 113°F (-25°C to 45°C)

APPROVALS / RATINGS

- CE Approved
- cETLus Approved
- IP65 Rated

INSTALLATION

- Rigging: Integrated Dual Yoke / Floor Stand
- Working Position: Any (360°)

INCLUDED ITEMS

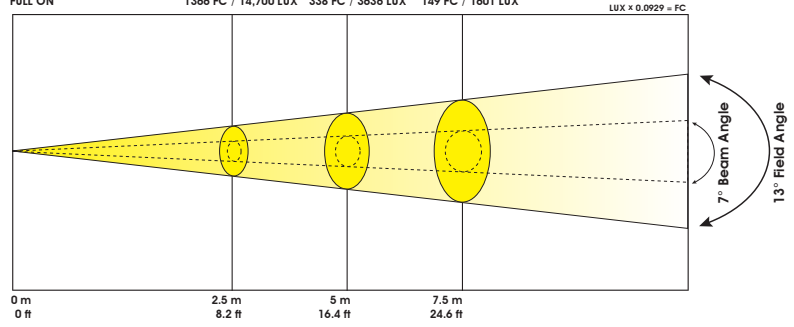
- (1) IP Power Cable
- (1) IP 3pin DMX Cable
- (1) Safety Cable



GEL FRAME HOLDER KIT
SKU #LEV054-GFH

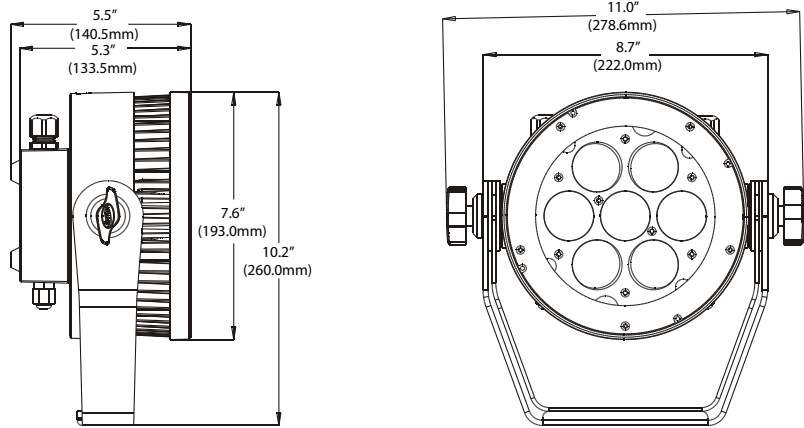
PHOTOMETRIC DATA

RED LEDs	190 FC / 2046 LUX	43 FC / 467 LUX	19 FC / 200 LUX
GREEN LEDs	596 FC / 6420 LUX	145 FC / 1565 LUX	64 FC / 693 LUX
BLUE LEDs	88 FC / 950 LUX	23 FC / 249 LUX	10 FC / 113 LUX
WHITE LEDs	695 FC / 7485 LUX	176 FC / 1890 LUX	79 FC / 850 LUX
FULL ON	1366 FC / 14,700 LUX	338 FC / 3636 LUX	149 FC / 1601 LUX



7° Beam Angle	Ø 0.32 m / Ø 1.0 ft	Ø 0.62 m / Ø 2.0 ft	Ø 0.92 m / Ø 3.0 ft
13° Field Angle	Ø 0.57 m / Ø 1.9 ft	Ø 1.12 m / Ø 3.7 ft	Ø 1.66 m / Ø 5.4 ft

DIMENSIONAL DIAGRAM



OPTIONAL ACCESSORIES

ORDER CODE	ITEM
NARROW CLAMP	2" Pro Wrap Around Clamp
804090301390	IP To Edison Power Cable
804090301470	3pin Female/XLR To Male IP DATA Cable
804090301480	3pin Male/XLR To Female IP DATA Cable
804090301370	9.8' (3m) Male To Female IP POWER Jumper Cable
804090301380	9.8' (3m) Male To Female IP DATA EXT Cable
804090301770	32.8' (10m) Male To Female POWER IP Jumper Cable
804090301780	32.8' (10m) Male To Female DATA IP Jumper Cable
LEV054-GFH	Gel Frame Holder Kit (7.88" Slot Holder, Gel Frame, and (4) Screws)
LEV054-GFH-S4	Source 4 Accessory Holder (7.50" Slot Holder and (4) Screws)

Specifications are subject to change without notice ©Elation Professional

