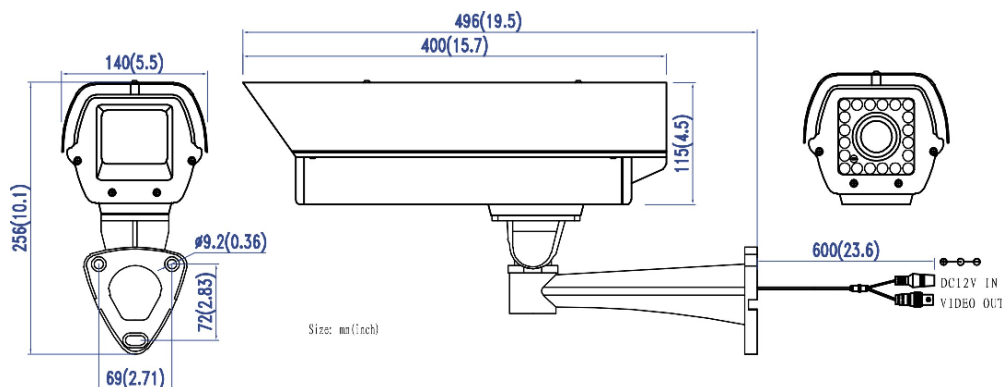


License Plate Camera

CLPR67B4B



Installation Precautions

1. Avoid installing camera where there are frequent vibrations or shocks.
2. Please keep the glass in front of the camera clean. Do not touch it directly. Use a soft cloth with alcohol to wipe glass if necessary.
3. The available IR range of this camera is shown in the specification. Please be sure to place the camera within the specified range.
4. In order to prevent damage to the camera, please do not loosen any screws or covers unless modifying settings.
5. Please do not operate camera beyond conditions listed in the specification.

Use 12V DC regulated power supply to avoid damaging camera.

Included Accessories

- | | | |
|----|-------------------|----|
| 1. | User Manual | x1 |
| 2. | Screws | x4 |
| 3. | Anchors | x4 |
| 4. | Adaptor | x1 |
| 5. | Hex shape Wrench | x2 |
| 6. | DC Connector | x1 |
| 7. | Mounting template | x1 |

Specifications

ITEM	CLPR67B4B
IP Rating	IP66
Type	Monochrome
Signal System	NTSC/PAL
Pick Up Device	1/3" Sony High Resolution CCD
Picture Elements	NTSC: 811Hx508V; PAL: 795Hx596V
Resolution	550 TV Lines
LEDs	20 Super High Power LEDs
Vertical Frequency	NTSC: 60Hz; PAL: 50Hz
Horizontal Frequency	NTSC: 15.734KHz; PAL: 15.625KHz
Clock Frequency	NTSC: 28.636MHz; PAL: 28.375MHz
Scanning System	2:1 Interlace
S/N Ratio	≥ 50 dB
Lens	10-40mm Varifocal Auto Iris IR Lens
Video Output	1V _{p-p} , 75 Ω
Power Supply	DC12V \pm 10%
Current Consumption	1300mA (Max)
Recommended IR Range	16.3ft – 98.3ft (5m – 30m)
Dimension	18.23" \times 9.45" \times 5.51" (463 \times 240 \times 140mm)
Weight	88.2oz (2500g)
Storage Temperature	-22 ~ 140°F (-30 ~ 60°C)
Operating Temperature	-22 ~ 104°F (-30 ~ 40°C)

Changing IR Settings

If you want to change the IR settings, please remove the rear cover.

There are two Resistors with phillips head knobs, refer to the picture below.

Resistor A: Controls the intensity of the IR LEDs

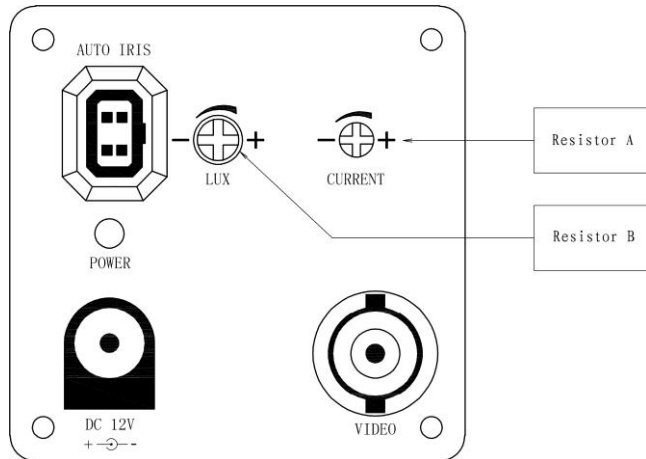
Turning ⤵(Clockwise) will increase intensity

Turning ⤴(Counter-Clockwise) will decrease intensity

Resistor B: Controls the lux threshold needed for triggering the IR LEDs

Turning ⤵(Clockwise) will increase lux threshold

Turning ⤴(Counter-Clockwise) will decrease lux threshold



Lens Adjustment:

- ① Use the hex shape Wrench to loosen the two screws on the left side of camera housing, then you can open the sun shield.
- ② Remove the foam covering the box camera, and move forward the box camera into the hole of IR board.
- ③ Adjust the lens till the image is perfect, and then tighten the two screws on the plastic plate.
- ④ Re-screw the sun-shield.

Refer to the diagram below for optimum viewing angle.

