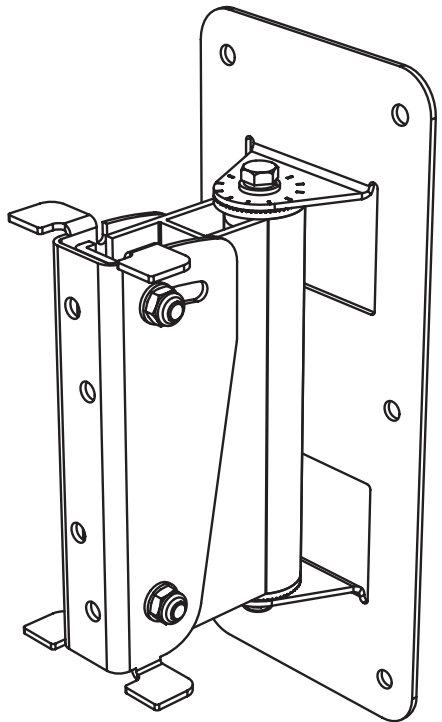


# VLS SERIES

## Pan and Tilt Bracket Installation Guide



**TANNOY**<sup>®</sup>

# 1. Important safety instructions

## 1. Important safety instructions



The lightning flash with arrowhead symbol within an equilateral triangle, is intended to alert the user to the presence of uninsulated "dangerous voltage" within the product's enclosure that may be of sufficient magnitude to constitute a risk of electric shock to persons.

1. Read these instructions.
2. Keep these instructions
3. Heed all warnings.
4. Follow all instructions.
5. Clean only with a dry cloth.
6. Do not block any ventilation openings. Install in accordance with the manufacturer's instructions.
7. Do not install near any heat sources such as radiators, heat registers, stoves, or other apparatus (including amplifiers that produce heat.
8. Only use attachments/accessories specified by the manufacturer.
9. Use only with a cart, stand, tripod, bracket, or table specified by the manufacturer, or sold with the apparatus. When a cart is used, use caution when moving the cart/apparatus combination to avoid injury from tip-over.
10. Refer all servicing to qualified service personnel. Servicing is required when the apparatus has been damaged in anyway, does not operate normally, or has been dropped.



The exclamation point within an equilateral triangle is intended to alert the user to the presence of important operating and maintenance (servicing) instructions in the literature accompanying the product.

### **SAFETY WARNING**

Do not remove any covers, loosen any fixings or allow items to enter any aperture.

### **SAFETY WARNING**

Objects filled with liquids should not be placed on this apparatus.

### **AVERTISSEMENT DE SECURITE**

Ne retirez pas les couvercles, ne desserrez pas les fixations et ne laissez aucune pièce s'introduire dans les ouvertures.

### **AVERTISSEMENT DE SECURITE**

Ne placez pas d'objets contenant du liquide à proximité de l'appareil.

# Table of contents

<b>1. Important safety instructions.....</b>	<b>2</b>
<b>2. Hardware included.....</b>	<b>4</b>
<b>3. Rigging and safety procedures.....</b>	<b>4</b>
<b>4. Bracket installation.....</b>	<b>4</b>
4.1 Preparing bracket.....	4
4.2 Attaching the bracket to the wall.....	4
4.3 Fixing the bracket to the loudspeaker.....	4
4.4 Mounting the loudspeaker on the wall bracket.....	5
4.5 Adjusting the pan and tilt.....	5
4.5.1 Pan.....	5
4.5.2 Tilt.....	5
<b>5. Bracket pan and tilt angles.....</b>	<b>6</b>
<b>6. Specifications.....</b>	<b>6</b>

## 2. Hardware included

### 2. Hardware included:

**1 x Pan and tilt bracket**

**4 x Screws and washers for attaching bracket to product**

**1 x 5 mm Allen key**

### 3. Rigging and safety procedures

The installation of Tannoy loudspeakers using the dedicated hardware should only be carried out by fully qualified installers, in accordance with all the required safety codes and standards that are applied at the place of installation.

**WARNING:** As the legal requirements for flying vary from country to country, please consult your local safety standards office before installing any product. We also recommend that you thoroughly check any laws and bylaws prior to installation. For more detailed information on rigging hardware and safety procedures, please consult the full VLS Series Operation Manual.

### 4. Bracket installation

#### 4.1 Preparing bracket

Separate the two parts of the bracket by removing bolt “C” as shown on fig. 1.

#### 4.2 Attaching the bracket to the wall

Attach the bracket to the wall using suitable wall fixings. Ensure that the support slot is at the top. Use all 6 fixing holes to ensure that the load is spread evenly.

#### 4.3 Fixing the bracket to the loudspeaker

Attach the bracket to the loudspeaker using the included screws and washers.

### 4.4 Mounting the loudspeaker on the wall bracket

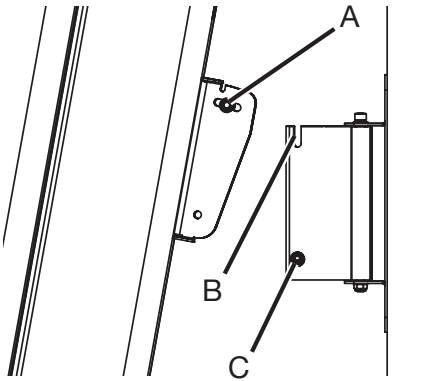


Fig. 1

Lift the loudspeaker up to the wall bracket and insert the tilt rod "A" of the bracket into slot "B" at the top of the wall bracket. The weight of the bracket is now supported. The bottom fixing bolt "C" can now be fitted. The bracket is now secure and can be adjusted to the required angle.

### 4.5 Adjusting the pan and tilt

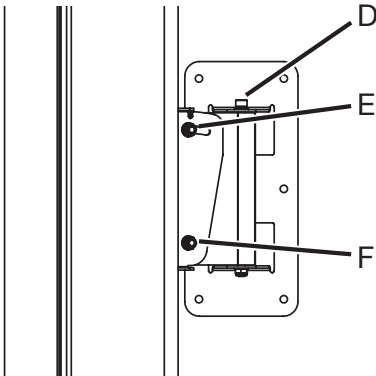


Fig. 2

#### 4.5.1 Pan

Loosen the vertical bolt "D" on the wall bracket using a spanner (wrench) on the top and bottom. Adjust to desired angle then re-tighten vertical bolt "D".

#### 4.5.2 Tilt

Loosen bolts "E" and "F" on the loudspeaker bracket using a spanner (wrench) and the supplied Allen key. Adjust to desired angle then re-tighten bolts "E" and "F".

### 5. Bracket pan and tilt angles

	VLS 7	VLS 15	VLS 30
<b>Tilt</b>	0 - 10°	0 - 10°	0 - 10°
<b>Pan left and right with no tilt</b>	70°	70°	70°
<b>Pan left and right with full tilt</b>	45°	45°	35°

### 6. Specifications

**Hardware (screws, nuts and washers):** Stainless steel

**Bracket material:** Aluminium and steel with high corrosion-resistant nickel zinc finish

**Colours:** Black Ral 9004 or White Ral 9003



tannoy.com